



# MARCH PUMPS

1819 PICKWICK AVE., GLENVIEW, IL 60026-1306, U.S.A

## DESCRIPTION:

Series 6 are centrifugal magnetic drive pumps, eliminating the need for a shaft seal. Pumps can be serviced with an adjustable wrench. See the parts list for a breakdown of parts.

**Model Abbreviations:** T: Ryton & Polypropylene, K: Kynar, P: Polypropylene

## OPERATION:

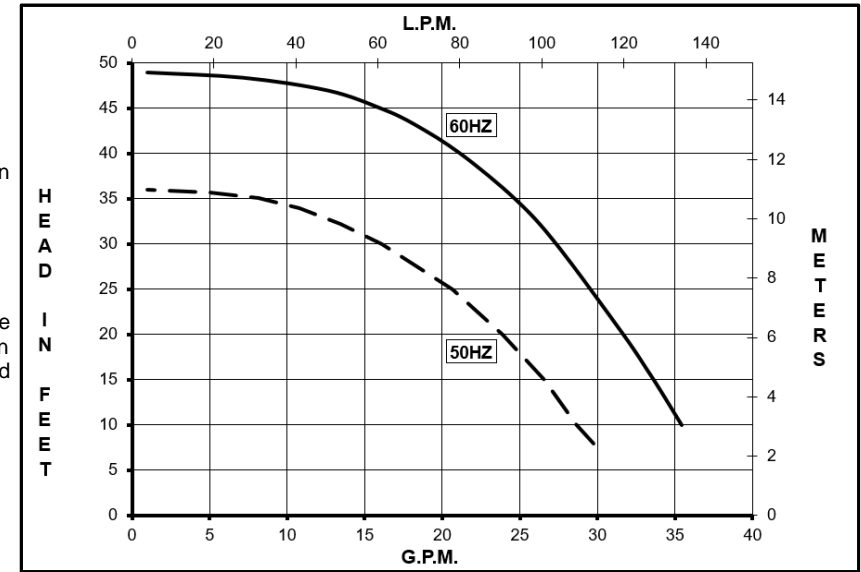
Pumps are not self-priming, lack a suction lift, and thus require a **flooded suction**. Pumps **cannot be run dry** because the impeller requires the liquid being pumped for lubrication. The direction of motor rotation should be clockwise when facing the inlet of the pump. For liquids with a specific gravity greater than water, have a higher viscosity, or for elevated temperatures, a trimmed impeller may be necessary. For application assistance, contact March Pump.

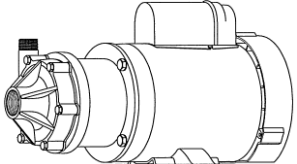
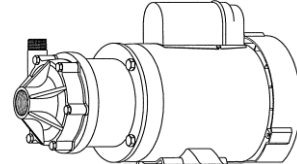
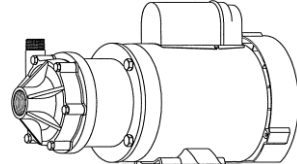
## ELECTRICAL:

TE-6-MD pumps are 115/230 Volt, 50/60 Hz, 1 phase or 230/460 Volt, 50/60 Hz, 3 phase, (Totally Enclosed Fan Cooled Motor). Have a Conduit Box.

Motors are U.L. listed as well as rated for continuous operation.

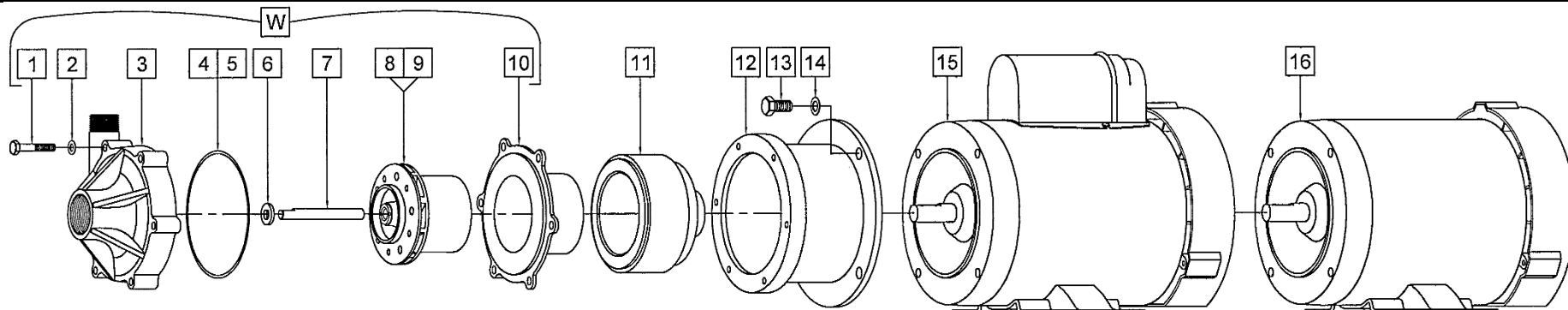
## TE-6K-MD, TE-6T-MD, TE-6P-MD



| SPECIFICATIONS         |          | TE-6T-MD  |          |      |      |            |     |     |     |       |      |     |          |    | TE-6K-MD  |    |    |            |     |     |       |      |        |      |        |      |        | TE-6P-MD  |        |       |               |  |  |  |  |  |  |  |  |  |
|------------------------|----------|---|----------|------|------|------------|-----|-----|-----|-------|------|-----|----------|----|---|----|----|------------|-----|-----|-------|------|--------|------|--------|------|--------|---|--------|-------|---------------|--|--|--|--|--|--|--|--|--|
|                        |          |  |          |      |      |            |     |     |     |       |      |     |          |    |  |    |    |            |     |     |       |      |        |      |        |      |        |  |        |       |               |  |  |  |  |  |  |  |  |  |
| Product #              | 1 Phase  | 0153-0002-0200  |          |      |      |            |     |     |     |       |      |     |          |    | 0153-0002-0400  |    |    |            |     |     |       |      |        |      |        |      |        | 0153-0095-0100  |        |       |               |  |  |  |  |  |  |  |  |  |
|                        | 3 Phase  | 0153-0002-0300  |          |      |      |            |     |     |     |       |      |     |          |    | 0153-0002-0500  |    |    |            |     |     |       |      |        |      |        |      |        | 0153-0095-0200  |        |       |               |  |  |  |  |  |  |  |  |  |
| Inlet - Outlet         |          | 1" FPT - 3/4" MPT   |          |      |      |            |     |     |     |       |      |     |          |    | 1" FPT - 3/4" MPT   |    |    |            |     |     |       |      |        |      |        |      |        | 1" FPT - 3/4" MPT   |        |       |               |  |  |  |  |  |  |  |  |  |
| Max Internal Pressure  |          | 50 psi (344 kPa)  |          |      |      |            |     |     |     |       |      |     |          |    | 75 psi (517 kPa)  |    |    |            |     |     |       |      |        |      |        |      |        | 50 psi (344 kPa)  |        |       |               |  |  |  |  |  |  |  |  |  |
| Max Liquid Temperature |          | 190 °F (87 °C)  |          |      |      |            |     |     |     |       |      |     |          |    | 200 °F (93 °C)  |    |    |            |     |     |       |      |        |      |        |      |        | 190 °F (87 °C)  |        |       |               |  |  |  |  |  |  |  |  |  |
| MODEL                  | Max Flow |   | Max Head |      |      | ELECTRICAL |     |     |     |       |      |     | Max Flow |    | Max Head  |    |    | ELECTRICAL |     |     |       |      |        |      | Height |      | Width  |   | Length |       | Packed Weight |  |  |  |  |  |  |  |  |  |
|                        | gpm      | lpm   | ft       | psi  | m    | Ph         | V   | A   | Hp  | kW    | Rpm  | gpm | lpm      | ft | psi   | m  | Ph | V          | A   | Hp  | kW    | Rpm  | Inches | cm   | Inches | cm   | Inches | cm  | lbs    | kg    |               |  |  |  |  |  |  |  |  |  |
| TE-6T-MD               | 38       | 144   | 49       | 21.2 | 14.9 | 1          | 115 | 7.4 | 1/2 | 0.373 | 3450 | 30  | 113.5    | 36 | 15.6  | 11 | 1  | 115        | 8.4 | 3/8 | 0.280 | 2850 | 8.94   | 22.7 | 8.96   | 22.7 | 15.78  | 40.0  | 28.85  | 13.08 |               |  |  |  |  |  |  |  |  |  |
|                        |          |   |          |      |      | 3          | 230 | 1.5 | 1/2 | 0.373 | 3450 | 30  | 113.5    | 36 | 15.6  | 11 | 3  | 230        | 1.7 | 1/2 | 0.373 | 2850 | 7.34   | 18.6 | 8.96   | 22.7 | 15.28  | 38.8  | 28.20  | 12.79 |               |  |  |  |  |  |  |  |  |  |
| TE-6K-MD               | 38       | 144   | 49       | 21.2 | 14.9 | 1          | 115 | 7.4 | 1/2 | 0.373 | 3450 | 30  | 113.5    | 36 | 15.6  | 11 | 1  | 115        | 8.4 | 3/8 | 0.280 | 2850 | 8.94   | 22.7 | 8.96   | 22.7 | 15.78  | 40.0  | 28.60  | 12.97 |               |  |  |  |  |  |  |  |  |  |
|                        |          |   |          |      |      | 3          | 230 | 1.5 | 1/2 | 0.373 | 3450 | 30  | 113.5    | 36 | 15.6  | 11 | 3  | 230        | 1.7 | 1/2 | 0.373 | 2850 | 7.34   | 18.6 | 8.96   | 22.7 | 15.28  | 38.8  | 27.95  | 12.67 |               |  |  |  |  |  |  |  |  |  |
| TE-6P-MD               | 38       | 144   | 49       | 21.2 | 14.9 | 1          | 115 | 7.4 | 1/2 | 0.373 | 3450 | 30  | 113.5    | 36 | 15.6  | 11 | 1  | 115        | 8.4 | 3/8 | 0.280 | 2850 | 8.94   | 22.7 | 8.96   | 22.7 | 15.78  | 40.0  | 28.85  | 13.08 |               |  |  |  |  |  |  |  |  |  |
|                        |          |   |          |      |      | 3          | 230 | 1.5 | 1/2 | 0.373 | 3450 | 30  | 113.5    | 36 | 15.6  | 11 | 3  | 230        | 1.7 | 1/2 | 0.373 | 2850 | 7.34   | 18.6 | 8.96   | 22.7 | 15.28  | 38.8  | 28.20  | 12.79 |               |  |  |  |  |  |  |  |  |  |

All specifications & data are based on pumping water & are intended as a guideline only. Specifications may vary with different motors.

## PARTS LIST



| #  | DESCRIPTION                                     | MATERIAL |               |               | SIZE (Inches)       | QTY. | PART #         |                |                |
|----|---|----------|---------------|---------------|---------------------|------|----------------|----------------|----------------|
|    |   | TE-6T-MD | TE-6K-MD      | TE-6P-MD      |                     |      | TE-6T-MD       | TE-6K-MD       | TE-6P-MD       |
| 1  | Screw   |          | Stainless     |               | 1/4-20 x 1-3/4 Lg.  | 6    |                |                | 0153-0064-1000 |
| 2  | Washer  |          | Stainless     |               | 1/4 ID x 1/2 OD     | 6    |                |                | 0155-0021-1000 |
| 3  | Front Housing w/Inlet & Outlet                  | Ryton    | Kynar         | Polypropylene |                     | 1    | 0153-0002-1000 | 0153-0042-1000 | 0153-0052-1000 |
| 4  | "O" Ring  |          | Viton         |               | 3/32 CS x 4-7/16 OD | 1    |                |                | 0153-0015-1000 |
| 5  | "O" Ring (Option)                               |          | Viton/Teflon  |               | 3/32 CS x 4-7/16 OD | 1    |                |                | 0153-0024-1000 |
| 6  | Thrust Washer                                   |          | Ceramic       |               |                     | 1    |                |                | 0155-0009-1000 |
| 7  | Shaft   |          | Ceramic       |               |                     | 1    |                |                | 0153-0007-1000 |
| 8  | Impeller w/Ryton/Teflon/Carbon Bushing          |          | Polypropylene |               |                     | 1    | 0153-0003-0400 |                | 0153-0003-0400 |
| 8A | Impeller w/Carbon Bushing (Option)              |          | Polypropylene |               |                     | 1    | 0153-0003-0500 |                | 0153-0003-0500 |
| 8B | Impeller w/Mica Teflon Bushing (Option)         |          | Polypropylene |               |                     | 1    | 0153-0003-0900 |                | 0153-0003-0900 |
| 9  | Impeller w/Carbon Bushing                       |          | Kynar         |               |                     | 1    |                | 0153-0043-0500 |                |
| 9A | Impeller w/Ryton/Teflon/Carbon Bushing (Option) |          | Kynar         |               |                     | 1    |                | 0153-0043-0400 |                |
| 9B | Impeller w/Mica Teflon Bushing (Option)         |          | Kynar         |               |                     | 1    |                | 0153-0043-0900 |                |
| 10 | Rear Housing w/Ceramic Thrust Washer            | Ryton    | Kynar         | Polypropylene |                     | 1    | 0153-0005-0100 | 0153-0041-0100 | 0153-0072-0100 |
| 11 | Drive Magnet                                    |          |               |               |                     | 1    |                |                | 0153-0035-0100 |
| 12 | Motor Bracket                                   |          | Aluminum      |               |                     | 1    |                |                | 0153-0093-0010 |
| 13 | Screw   |          | Stainless     |               | 3/8-16 x 3/4 Lg.    | 4    |                |                | 0155-0017-1000 |
| 14 | Washer  |          | Stainless     |               | 3/8 ID x 5/8 OD     | 4    |                |                | 0155-0019-1000 |
| 15 | Motor, TEFC, 115/230 V, 50/60 Hz, 1 Phase       |          |               |               |                     | 1    |                |                | 0153-0019-1000 |
| 16 | Motor, TEFC, 230/460 V, 50/60 Hz, 3 Phase       |          |               |               |                     | 1    |                |                | 0153-0020-1000 |
| W  | Wet End Kit #'s 1, 2, 3, 4, 6, 7, 8, 10         |          |               |               |                     | 1    | 0153-0056-0100 |                |                |
| W  | Wet End Kit #'s 1, 2, 3, 4, 6, 7, 9, 10         |          |               |               |                     | 1    |                | 0153-0057-0100 |                |
| W  | Wet End Kit #'s 1, 2, 3, 4, 6, 7, 8, 10         |          |               |               |                     | 1    |                |                | 0153-0096-0100 |

**Materials in Contact with Solution:**  
**TE-6T-MD:** Polypropylene, Ryton, Viton, Ceramic, Ryton/Teflon/Carbon  
**TE-6K-MD:** Kynar/Carbon Filled, Viton, Ceramic, Carbon  
**TE-6P-MD:** Polypropylene, Viton, Ceramic, Ryton/Teflon/Carbon

**NOTE:** When replacing impeller bushings in the field, the plastic bushings must be bored to size after they have been pressed into the impeller. Bore to 0.379/0.381 inches I.D. The carbon and ceramic bushings are to finished size and do not require boring after assembly. When attaching the Drive Magnet to the motor shaft, position the face of the Drive Magnet 3/32 inch below the face of the Motor Bracket.

**LIMITED WARRANTY:**

March pumps are guaranteed only against defects in workmanship or materials for a period of one year from date of manufacture pumping water.

NOTE: Contact Factory for other materials and/or parts not listed.

Explosion proof and special voltage motors are available upon special order.

0153-0018-1000 R26