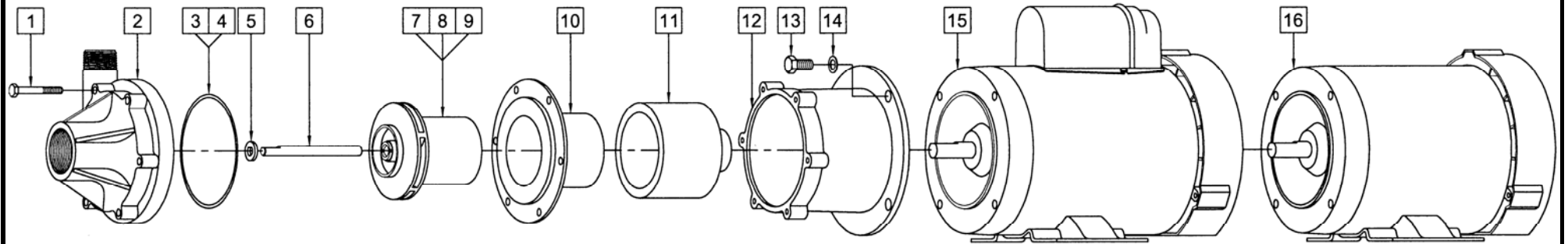




**NOTE:**

The Impeller, shaft, and Thrust washer are packed separately within the carton to prevent damage during shipping. These items need to be assembled into the pump before installation. Be sure all parts are assembled per the exploded view shown.

When replacing Impeller Bushing in the field: The plastic bushings must be bored to size after they have been pressed into the impeller. Bore to 0.378/0.381 I.D. The carbon and ceramic bushings are to finished size and do not require boring. When attaching drive magnet to the motor shaft, position the face of the drive magnet 1/8 inch below the face of the motor bracket.

**PARTS LIST**

#	DESCRIPTION	MATERIAL	SIZE (Inches)	QTY.	PART #
1	Screw	Stainless	1/4-20 x 2 Lg.	6	0155-0014-1000
2	Front Housing	316 Stainless		1	0155-0036-0010
3	"O" Ring	Viton	1/8 CS x 4-3/8 OD	1	0155-0010-1000
4	"O" Ring (Option)	Viton/Teflon	1/8 CS x 4-3/8 OD	1	0155-0071-1000
5	Thrust Washer	Ceramic		1	0155-0009-1000
6	Shaft	Ceramic	4.257 Lg.	1	0155-0117-1000
7	Impeller w/Carbon Bushing	316 Stainless		1	0155-0112-0400
8	Impeller w/Teflon/Ryton/Carbon Bushing (Option)	316 Stainless		1	0155-0112-0300
9	Impeller w/Mica Teflon Bushing (Option)	316 Stainless		1	0155-0112-0800
10	Rear Housing	316 Stainless		1	0155-0035-0010
11	Drive Magnet			1	0155-0130-0200
12	Motor Bracket	Aluminum		1	1095-0015-0010
13	Screw	Stainless	3/8-16 x 3/4 Lg.	4	0155-0017-1000
14	Washer	Stainless	3/8 ID x 5/8 OD	4	0155-0019-1000
15	Motor, TEFC, 1 HP, 1 Phase, 115/230 V, 50/60 Hz			1	0155-0173-1000
16	Motor, TEFC, 1 HP, 3 Phase, 230/460 V, 50/60 Hz			1	0155-0174-1000

**Materials in Contact with Solution:**

316 Stainless Steel, Viton, Ceramic, Carbon

NOTE: Contact Factory for other materials and/or parts not listed.

Explosion proof & special voltage motors are available upon special order.

0155-0106-1000 R1