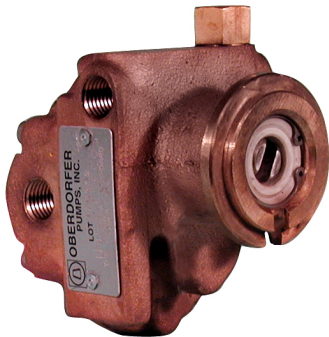


COOLING PUMPS FOR HELIARC WELDING

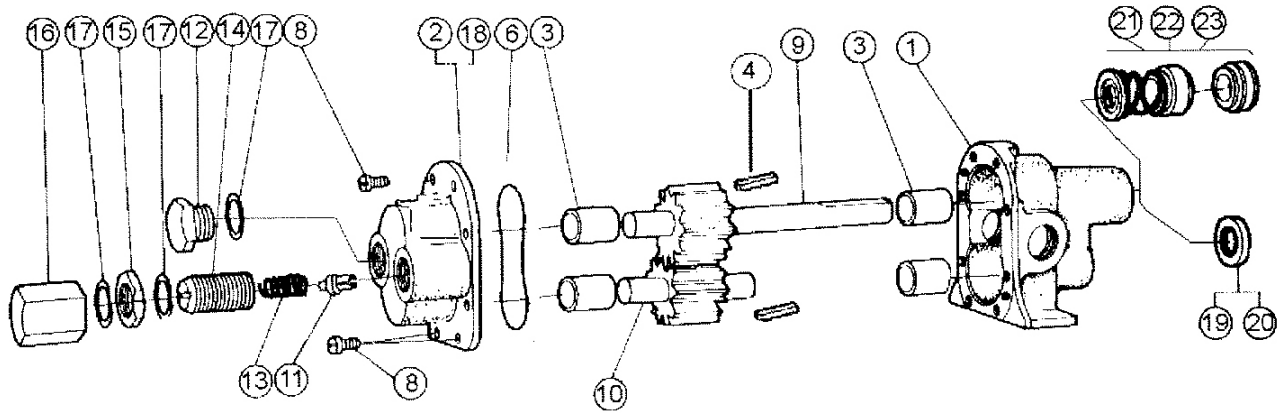
GEAR PUMPS SERIES HELIARC



PERFORMANCE

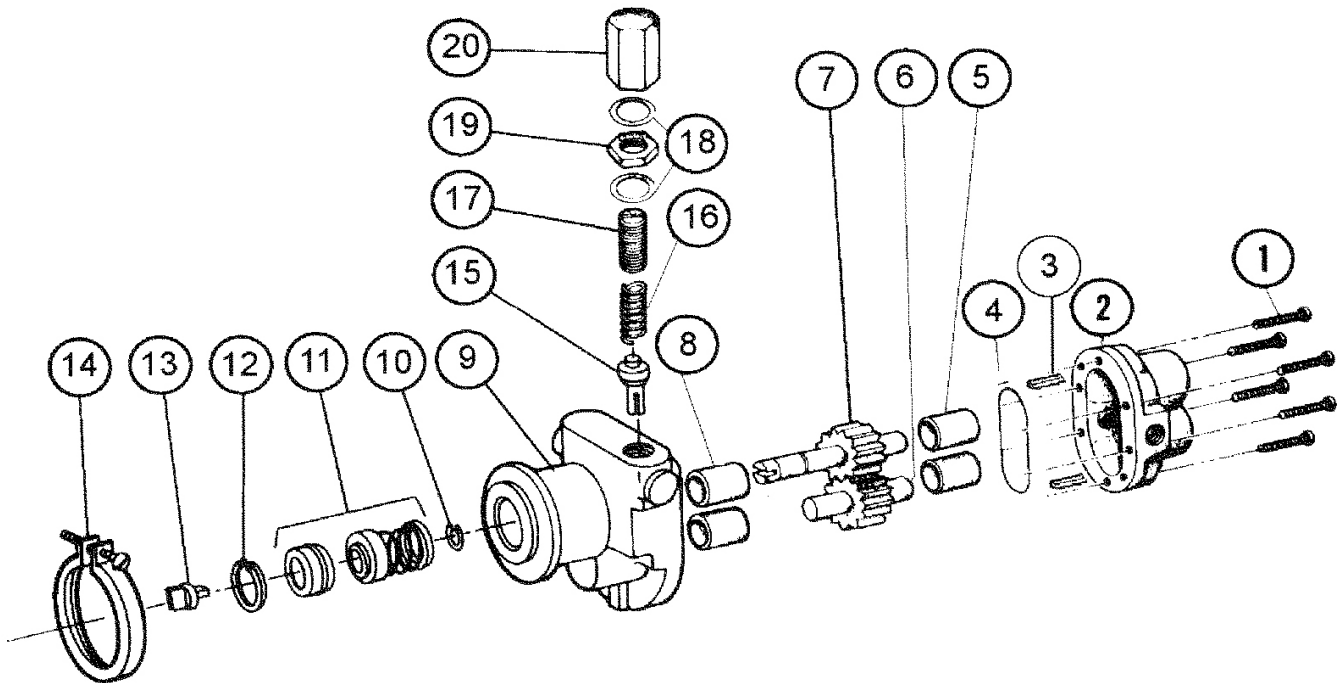
Pump #	RPM	PSI	0	20	40	60	80	100
N1000R39	1725	GPM	1.5	1.4	1.3	1.2	1.1	1
N95060GEC03								
N95060GFC01								
N1000R-66*	1725	GPM	2.1	1.9	1.8	1.7	1.6	1.5

EXPLODED VIEW AND PARTS LIST



Pump #	Item Name	1	2	3	4	6	8	9	10	11	13	14	15	16	17	19,20	21,22,23	Repair Kit*
	Req.	1	1	4	2	1	6	1	1	1	1	1	1	1	3	1	1	
N1000R39	9313NB2N	9314NN5L	5024	8885	9797-033	5385	32133	32118	7640	5806	5766	5774	5767	6966	5007	---	---	11187
N1000R-66*	9311NB4N	9314NN5L	5024	8885	9797-033	5385	32687	32584	7640	5806	5766	5774	5767	6966	---	---	32584	11925

* Repair Kit contains items 3, 6, 9 10 & Seal.



Pump #	Item	1	2	3	4	5	6	7	8	9	10
	Name	Screw	Body	Dowel Pin	O-Ring	Bearing	Idle Gear	Drive Gear	Bearing	Cover	Snap Ring
	Req.	6	1	2	1	2	1	1	2	1	1
N95060GEC03	5013	9301NB5N	8885	9797-033	8990	32629	32884	5024	9305NN4R	5373	
N5060GFC01	5013	9301NB5N	8885	9797-033	8990	32629	32884	5024	9305NN4R	5373	
N95060GE	5013	9301NB5N	8885	9797-033	8990	32629	32884	8990	9305NNZR	5373	

11	12	13	14	15	16	17	18	19	20	
Seal Assy.	Snap Ring	Coupler	Clamp	Poppet	Spring	Adj. Screw	Washer	Lock Nut	Valve Nut	Repair Kit*
1	1	1	1	1	1	1	2	1	1	
32584	7639	9175	8840	7640	5806	5766	6966	5774	5767	11936
32584	7639	9175	8840	7640	9718	----	----	----	----	11936
32584	7639	----	----	7640	5806	5766	6966	5774	5767	11937

* Repair Kit contains items 4,5,6,7, 8, 10, 11, 12

PUMP MAINTENANCE AND REPAIR

Oberdorfer™ gear pumps are essentially maintenance-free. If the pump is to be shut down for an extended period of time, it should be flushed thoroughly and filled with lubricating oil.

As a general rule, it is seldom economical to repair a worn out gear pump. However, if the gear chamber inside the pump body is still in good condition, the replacement of all interior parts by use of a repair kit may restore up to 80% of the original pump performance. Repair kit numbers and parts contained in each kit are listed on the parts lists on the reverse side.

TYPICAL PUMP INSTALLATION

