

SALES & ENGINEERING DATA

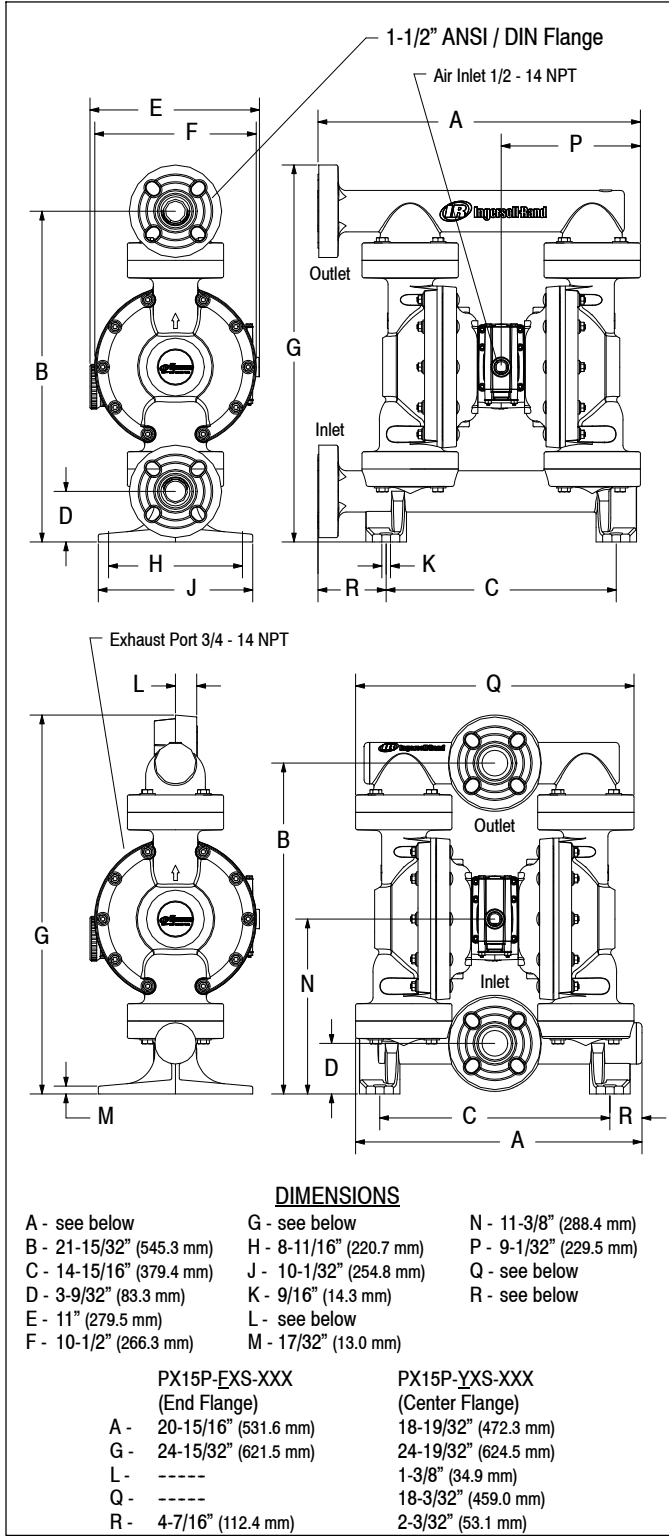
RATIO SERIES: **1:1**

PD15P-XXS-XXX & PE15P-XXS-XXX 1-1/2" NON-METALLIC DIAPHRAGM PUMP

FLUID PSIG RANGE: **20 - 120**

RELEASED: 9-5-03
REVISED: 11-7-14
(REV. H) S-1280

DIMENSIONAL DATA



SPECIFICATIONS

CONSTRUCTION

Model Series	PD15P-XXS-XXX PE15P-XXS-XXX
Pump Type	Non-Metallic, Air Operated, Double Diaphragm
Ratio	1:1
Material Inlet / Outlet (female)	1-1/2" ANSI / DIN Flange
Air Inlet (female)	1/2 - 14 NPT
Air Exhaust (female)	3/4 - 14 NPT
Weight ..	PX15P-FKS-XXX 63.94 lbs (29.00 kgs) PX15P-FPS-XXX 42.60 lbs (19.32 kgs) PX15P-YKS-XXX 55.94 lbs (25.37 kgs) PX15P-YPS-XXX 42.30 lbs (19.19 kgs)
Air Section Service Kit	637389
Major Air Valve Assembly	
PD15P-XXS-XXX	637390-1
PE15P-XXS-XXX	637390-2
Fluid Section Service Kit	637391-XX

PX15P-XXS-X
637391 - Diaphragm Material
 Ball Material

EXAMPLE: Model # PD15P-FPS-PAA
 Fluid Section Service Kit is 637391-AA

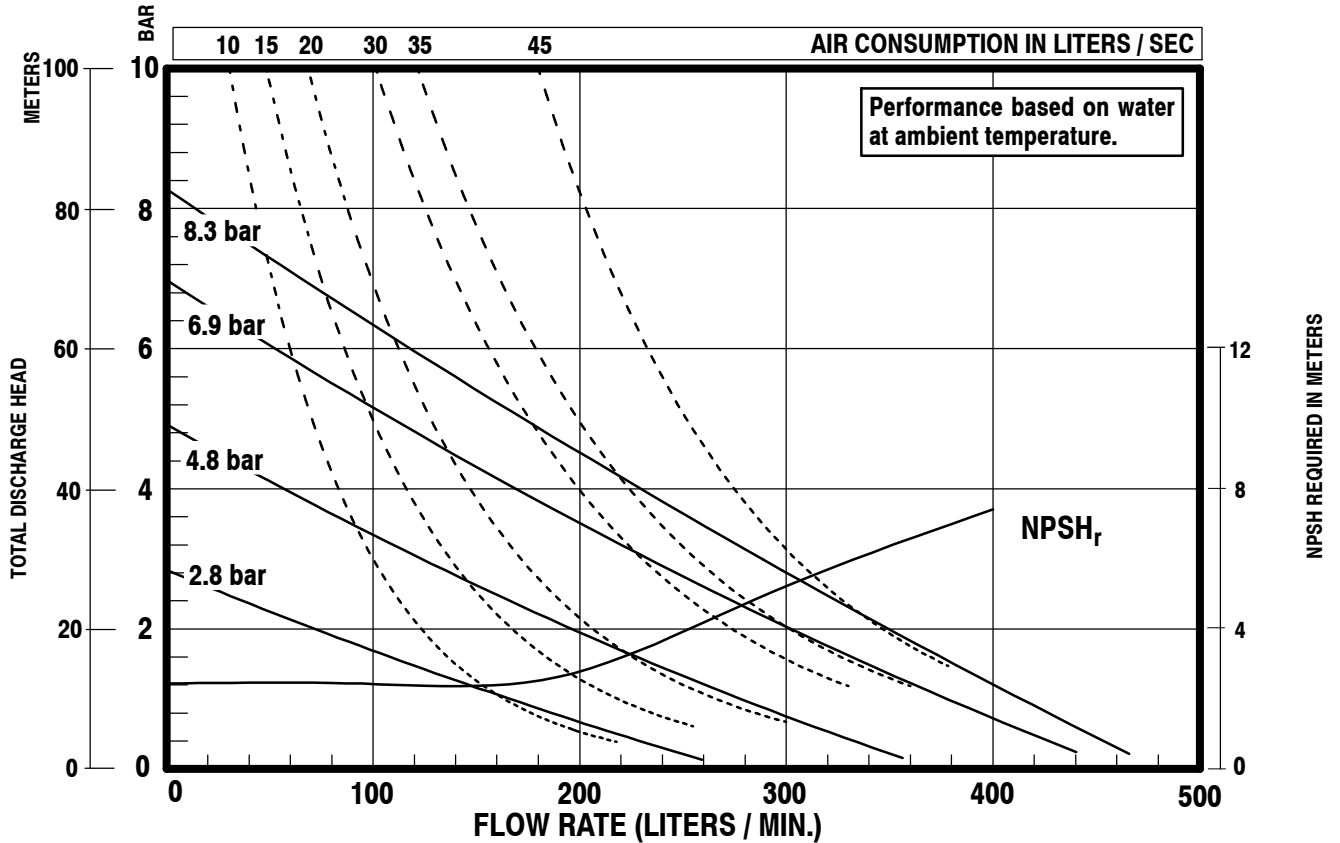
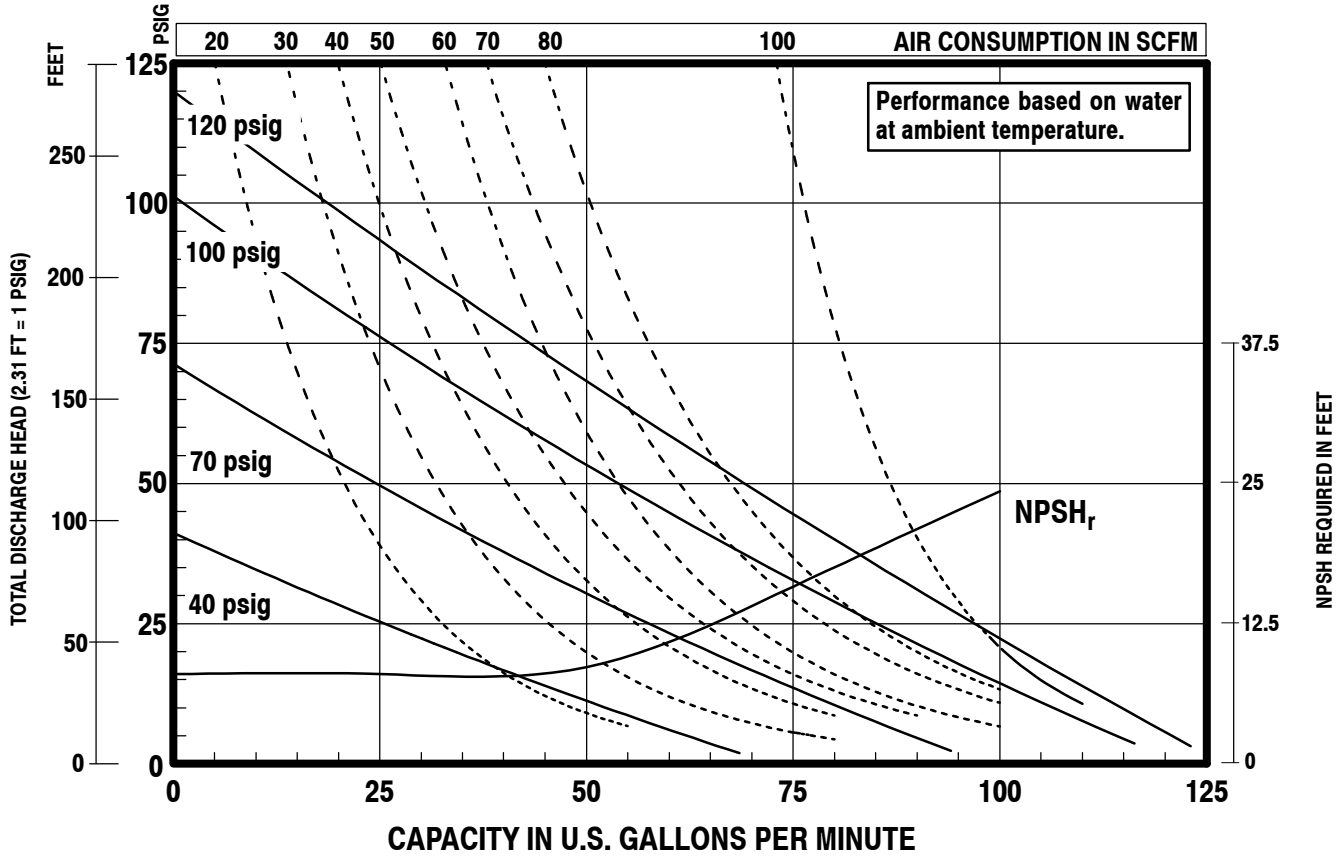
PERFORMANCE

Air Inlet Pressure Range	20 - 120 psig (1.4 - 8.3 bar)
Maximum Material Inlet Pressure ..	10 psig (0.69 bar)
Fluid Pressure Range	20 - 120 psig (1.4 - 8.3 bar)
Maximum Flow Rate (flooded inlet) ...	123.1 gpm (465.9 lpm)
Displacement / Cycle @ 100 psig ..	0.617 gal. (2.34 lit.)
Maximum Particle Size	1/4" dia. (6.4 mm)
Maximum Temperature Limits (diaphragm / ball / seal material)	
E.P.R. / EPDM	-60° to 280° F (-51° to 138° C)
Hytrel®	-20° to 180° F (-29° to 82° C)
Nitrile	10° to 180° F (-12° to 82° C)
Polypropylene	35° to 175° F (2° to 79° C)
PVDF (Kynar®)	10° to 200° F (-12° to 93° C)
Santoprene®	-40° to 225° F (-40° to 107° C)
PTFE	40° to 225° F (4° to 107° C)
Viton®	-40° to 350° F (-40° to 177° C)
Noise Level @ 70 psig - 60 cpm ...	81.0 dB(A)①

① The pump sound pressure level has been updated to an Equivalent Continuous Sound Level (LA_{eq}) to meet the intent of ANSI S1.13-1971, CAGI-PNEUROP S5.1 using four microphone locations.

PERFORMANCE CURVES

PD15P-XXS-XXX 1-1/2" NON-METALLIC DIAPHRAGM PUMP



PERFORMANCE CURVES

PE15P-XXS-XXX-XXEX & PE15P-XXS-XXX-XXFX 1-1/2" NON-METALLIC DIAPHRAGM PUMP

