

BALDOR® • ***RELIANCE***

Product Information Packet

AFM3529

1HP,3450RPM,3PH,60HZ,56Z,3416M,TEAO,F1

Part Detail							
Revision:	AG	Status:	PRD/A	Change #:		Proprietary:	No
Type:	AC	Prod. Type:	3416M	Elec. Spec:	34WG0282	CD Diagram:	CD0005
Enclosure:	TEAO	Mfg Plant:		Mech. Spec:	34K062	Layout:	34LYK062
Frame:	56Z	Mounting:	F1	Poles:	02	Created Date:	
Base:	RG	Rotation:	R	Insulation:	B	Eff. Date:	09-17-2016
Leads:	9#18 14"LG +/- .5" Y					Replaced By:	
Literature:		Elec. Diagram:					

Nameplate NP1279L											
CAT.NO.	AFM3529										
SPEC.	34K62-282										
HP	1										
VOLTS	230/460										
AMP	3.6/1.8										
RPM	3450										
FRAME	56Z				HZ	60			PH	3	
SER.F.	1.25				CODE	H		DES	B	CL	B
NEMA-NOM-EFF	75.5				PF	71					
RATING	40C AMB-CONT										
CC								USABLE AT 208V	4.1		
DE	6203				ODE	6203					
ENCL	TEAO				SN						
	SFA 4/2										

Parts List		
Part Number	Description	Quantity
SA008209	SA 34K62-282	1.000 EA
RA004656	RA 34K62-282	1.000 EA
34EP3204A01SP	FR ENDPLATE, MACH	1.000 EA
11XT0832G06	8-32 X 3/8 TY 23 TAPPING	1.000 EA
SP1000A01	TERM BOARD, MODEL 34 SW	1.000 EA
51XW0832A07	8-32 X .44, TAPTITE II, HEX WSHR SLTD SE	3.000 EA
ML1400DF18	18 AWG,BLANK,GREEN w/YELLOW STRIPE	16.000 IN
WD1000D88	T&B RA873M,TRM.INS RING,#10 STUD,22-18 G	1.000 EA
RM1001A01	GROMMET "MIDSTATES"	1.000 EA
HW5100A03SP	WAVY WASHER (W1543-017)	1.000 EA
34EP3102A02SP	FR/PU ENDPLATE, MACH	1.000 EA
XY1032A02	10-32 HEX NUT DIRECTIONAL SERRATION	4.000 EA
34CB4501SP	TERMINAL BOX LID, STAMPED X (PLATED)	1.000 EA
34GS1005	GASKET, TERM PLATE LID	1.000 EA
51XW0832A07	8-32 X .44, TAPTITE II, HEX WSHR SLTD SE	2.000 EA
HW2501D13	KEY, 3/16 SQ X 1.375	1.000 EA
HA7000A04	KEY RETAINER 0.625 DIA SHAFTS	1.000 EA
MG1025C02	WILKOFASST SG, 787.105, TAN	0.014 GA
10XF0440S02	04-40 X 1/8 TYPE F HEX HD STAINLESS STIC	2.000 EA
HA3100A12	THRUBOLT 10-32 X 7.375	4.000 EA
LB1119N	WARNING LABEL	1.000 EA
LC0145B01	CONNECTION LABEL	1.000 EA
NP1279L	ALUM FARM DUTY UL CSA CC	1.000 EA
35PA1000	PKG GRP, PRINT PK1008A06	1.000 EA

Accessories		
Part Number	Description	Multiplier
34-171	C FACE KIT	A8

AC Induction Motor Performance Data
Record # 6568 - Typical performance - not guaranteed values

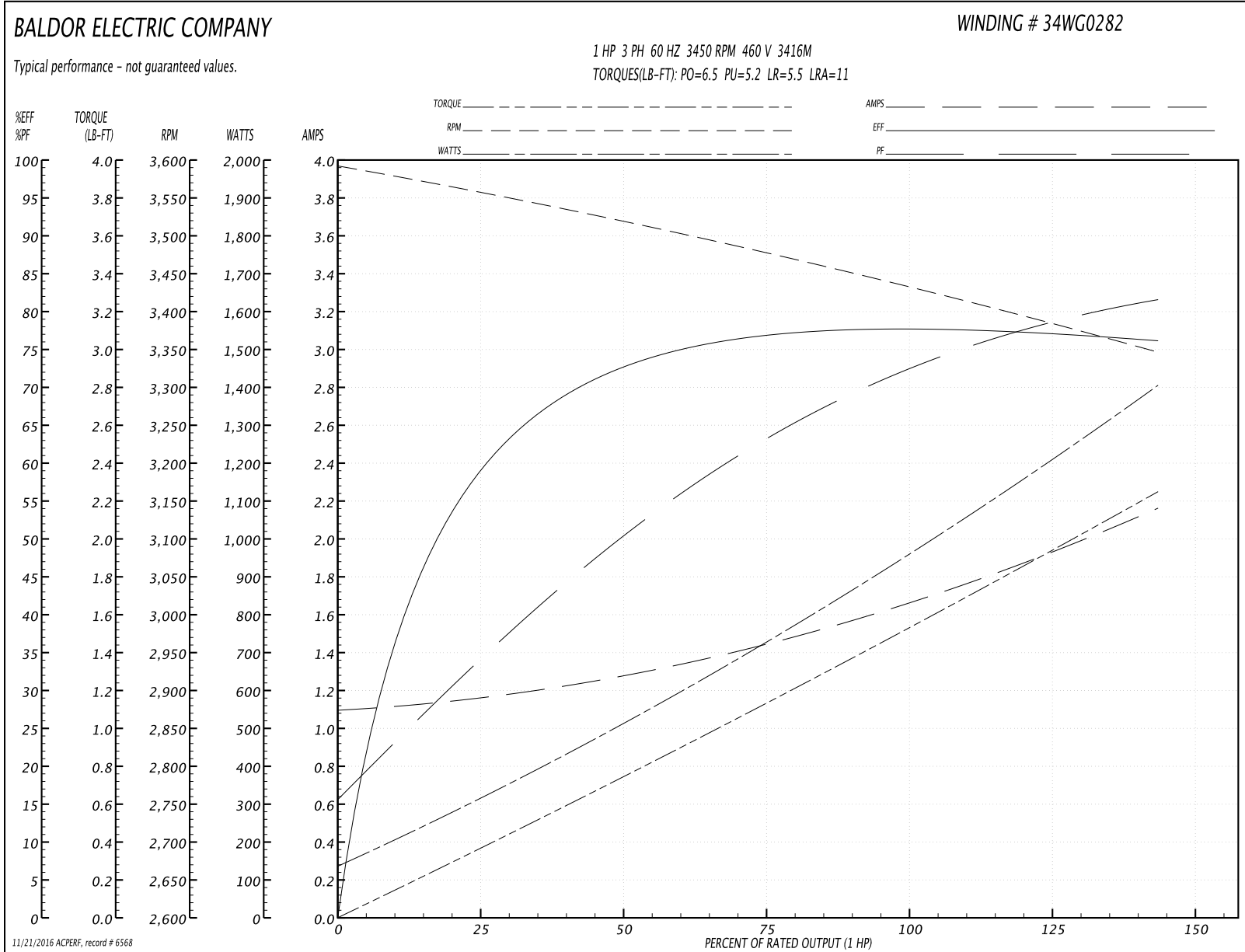
Winding: 34WG0282-R001	Type: 3416M	Enclosure: TEFC
-------------------------------	--------------------	------------------------

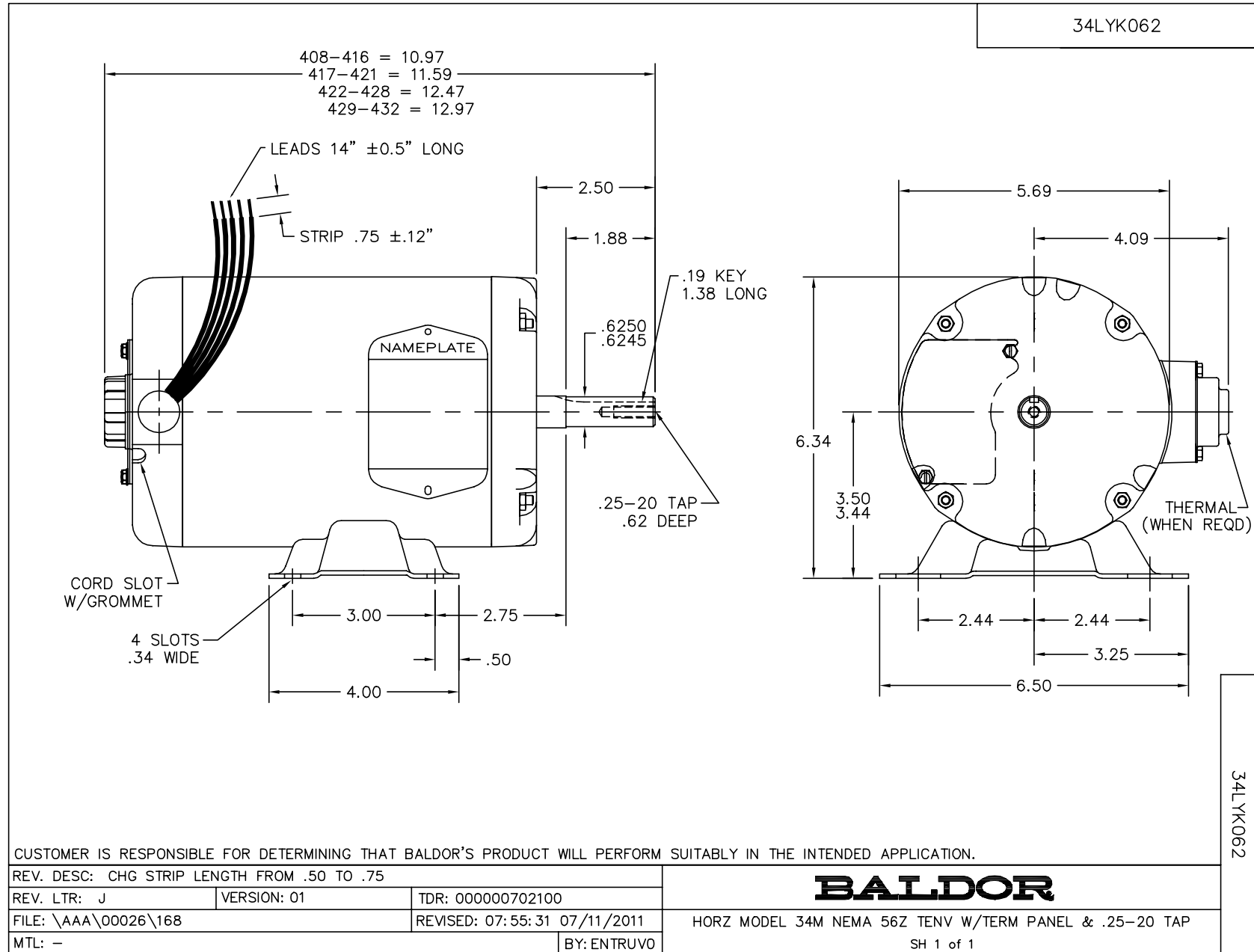
Nameplate Data				460 V, 60 Hz: High Voltage Connection	
Rated Output (HP)	1			Full Load Torque	1.5 LB-FT
Volts	230/460			Start Configuration	direct on line
Full Load Amps	3.6/1.8			Breakdown Torque	6.5 LB-FT
R.P.M.	3450			Pull-up Torque	5.2 LB-FT
Hz	60	Phase	3	Locked-rotor Torque	5.5 LB-FT
NEMA Design Code	B	KVA Code	H	Starting Current	11 A
Service Factor (S.F.)	1.25			No-load Current	1.1 A
NEMA Nom. Eff.	75.5	Power Factor	71	Line-line Res. @ 25°C	16.7 Ω
Rating - Duty	40C AMB-CONT			Temp. Rise @ Rated Load	71°C
S.F. Amps	4/2			Temp. Rise @ S.F. Load	85°C

Load Characteristics 460 V, 60 Hz, 1 HP

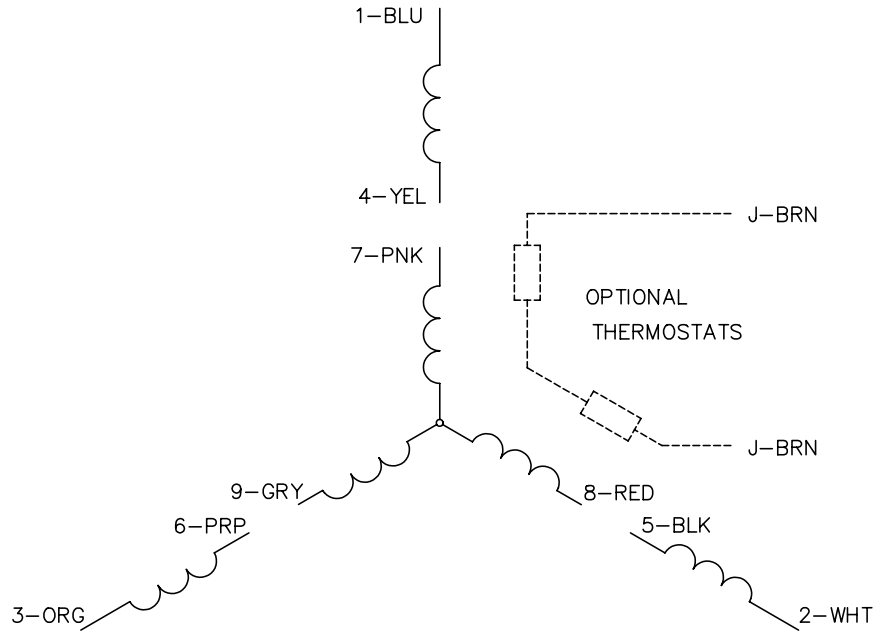
% of Rated Load	25	50	75	100	125	150	S.F.
Power Factor	37	53	68	76	77	76	77
Efficiency	61.2	72.1	76.8	77.7	77.2	76.2	77.2
Speed	3558	3524	3476	3434	3390	3349	3390
Line amperes	1.17	1.25	1.45	1.65	1.9	2.15	1.9

Performance Graph at 460V, 60Hz, 1.0HP Typical performance - Not guaranteed values

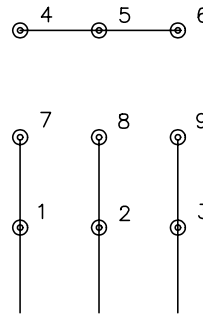




CD0005

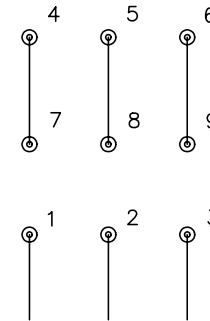


LOW VOLTAGE
(2Y)



LINE

HIGH VOLTAGE
(1Y)



LINE

NOTES:

1. INTERCHANGE ANY TWO LINE LEADS TO REVERSE ROTATION.
2. OPTIONAL THERMOSTATS ARE PROVIDED WHEN SPECIFIED.
3. ACTUAL NUMBER OF INTERNAL PARALLEL CIRCUITS MAY BE A MULTIPLE OF THOSE SHOWN ABOVE.
4. LEAD COLORS ARE OPTIONAL. LEADS MUST ALWAYS BE NUMBERED AS SHOWN.

REV. DESC: REVISE TO SHOW OPTIONAL COLORS			
REV. LTR: E	BY: JLP	REVISED: 01/19/99 10:15	TDR: 0171435
90000		FILE: AAA00005140	MDL: -
		MTL: -	

BALDOR ELECTRIC Co.

3PH, DV, 9 LEADS

CD0005