

# **BALDOR**® • **RELIANCE**

## **Product Information Packet**

# **CBM7010**

**.75HP,1750RPM,3PH,60HZ,56C,3514M,XPNV,F1**

Part Detail							
Revision:	M	Status:	PRD/A	Change #:		Proprietary:	No
Type:	AC	Prod. Type:	3514M	Elec. Spec:	35WGP672	CD Diagram:	CD0005
Enclosure:	XPNV	Mfg Plant:		Mech. Spec:	35E713	Layout:	35LYE713
Frame:	56C	Mounting:	F1	Poles:	04	Created Date:	02-18-2008
Base:	RG	Rotation:	R	Insulation:	B	Eff. Date:	04-02-2015
Leads:	9#18					Replaced By:	
Literature:		Elec. Diagram:					

<b>Nameplate NP0015XPSL</b>	
NO.	<input type="text"/>
SER.	<input type="text"/>
SPEC.	35E713P672G1
CAT.NO.	CBM7010
HP	.75
VOLTS	208-230/460
AMPS	3-2.8/1.4
RPM	1750
HZ	60
SER.F.	1.00
RATING	40C AMB-CONT
FRAME	56C
USABLE AT 208V	<input type="text"/>
BLANK	<input type="text"/>
	CC <input type="text"/>
	T. CODE T2C
	PH 3 CL B
	DES B CODE M
	NEMA-NOM-EFF 78.5
	PF 66

Parts List		
Part Number	Description	Quantity
SA168984	SA 35E713P672G1	1.000 EA
RA157273	RA 35E713P672G1	1.000 EA
35CB3001A01SP	EXPL CONDUIT BOX, MACH, 1/2" PIPE TAP LE	1.000 EA
11XW1032G06	10-32 X .38, TAPTITE II, HEX WSHR SLTD U	1.000 EA
HW3001B01	BRASS CUP WASHER, FOR #8 SCREW	1.000 EA
35EP1703A01	FR ENDPLATE, MACH	1.000 EA
HW5100A03SP	WAVY WASHER (W1543-017)	1.000 EA
35EP1702A01	PU ENDPLATE, MACH	1.000 EA
51XN1032A20	10-32 X 1 1/4 HX WS SL SR	2.000 EA
XY3118A12	5/16-18 HEX NUT DIRECTIONAL SERRATION	4.000 EA
HW4001A01	1/4 HX SOC PIPE PLG (F/S) ALLOY STEEL W/	2.000 EA
60XN1032A07	10-32 X 1/2 TRUSS HEAD, TORX SERRATED ZN	2.000 EA
HW2501D04	KEY, 3/16 SQ X 0.625	1.000 EA
84XN3816J12	3/8-16X 3/4 SOCK HD, BK OX	4.000 EA
35CB3500A01SP	CONDUIT BOX LID, MACH	1.000 EA
51XN2520A16	SCREW, HEX WS SLT, ZN, 1/4-20 X 1.00	4.000 EA
HW2501D13	KEY, 3/16 SQ X 1.375	1.000 EA
HA7000A04	KEY RETAINER 0.625 DIA SHAFTS	1.000 EA
NP0018F	ALUM UL XP CONDUIT BOX NAMEPLATE	1.000 EA
85XU0407S04	4X1/4 U DRIVE PIN STAINLESS	6.000 EA
MJ1000A02	GREASE, POLYREX EM EXXON (USe 4824-15A)	0.050 LB
MG1025G29	WILKOFASST, 789.229, DARK CHARCOAL GRAY	0.017 GA
HA3104A06	THRUBOLT 5/16-18 X 8.50 OHIO ROD	4.000 EA
65BK3100BQB	1-065-331-05-BQB BRAKE X	1.000 EA

<b>Parts List (continued)</b>		
<b>Part Number</b>	<b>Description</b>	<b>Quantity</b>
LB1119N	WARNING LABEL	1.000 EA
LC0145B01	CONNECTION LABEL	1.000 EA
NP0015XPSL	SS XP UL CSA CC CL-I GP-D	1.000 EA
36PA1001	PKG GRP, PRINT PK1017A06	1.000 EA
MN416A01	TAG-INSTAL-MAINT no wire (1200/bx) 11/14	1.000 EA

**AC Induction Motor Performance Data**

Record # 36550 - Typical performance - not guaranteed values

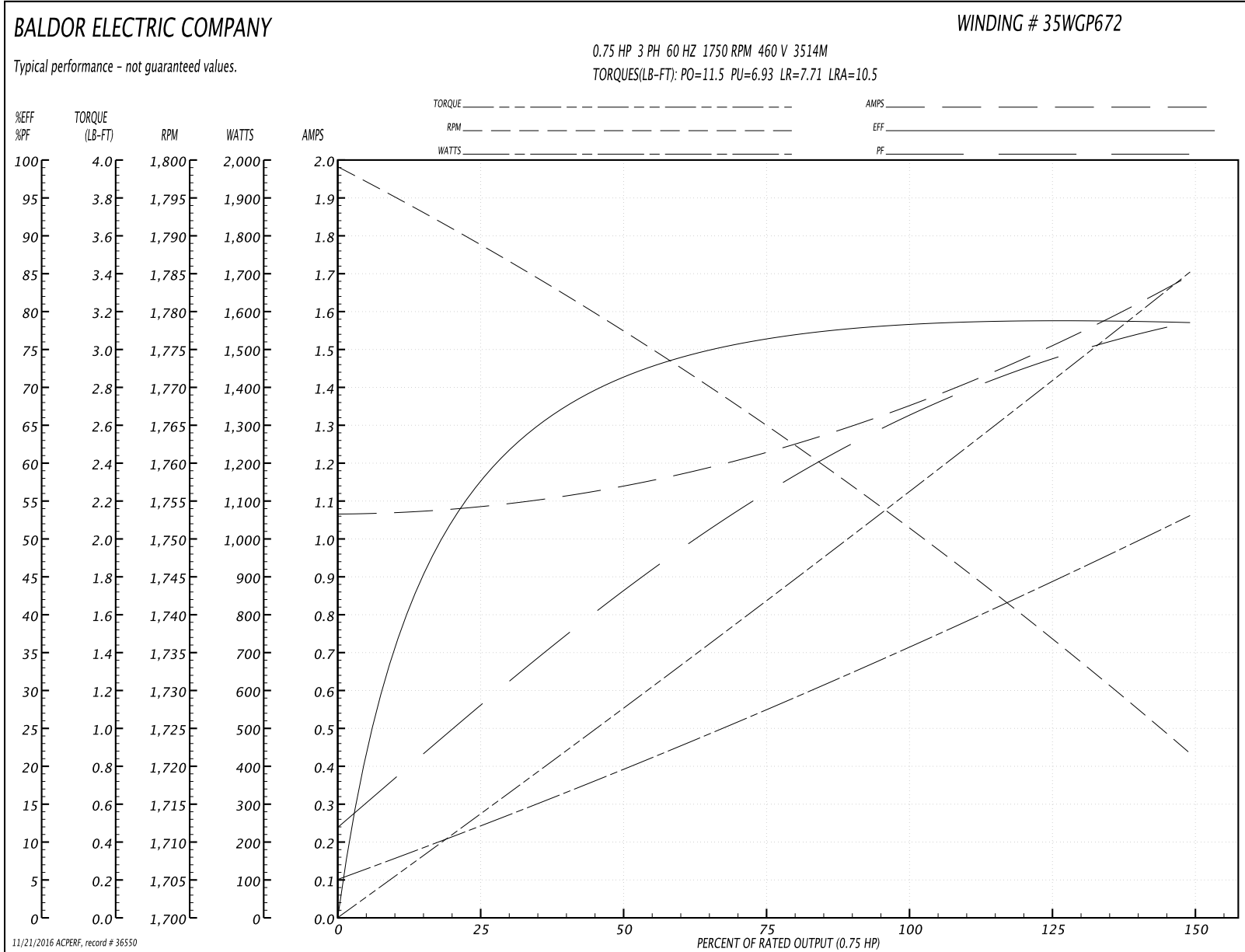
<b>Winding:</b> 35WGP672-R010	<b>Type:</b> 3514M	<b>Enclosure:</b> XPNV
-------------------------------	--------------------	------------------------

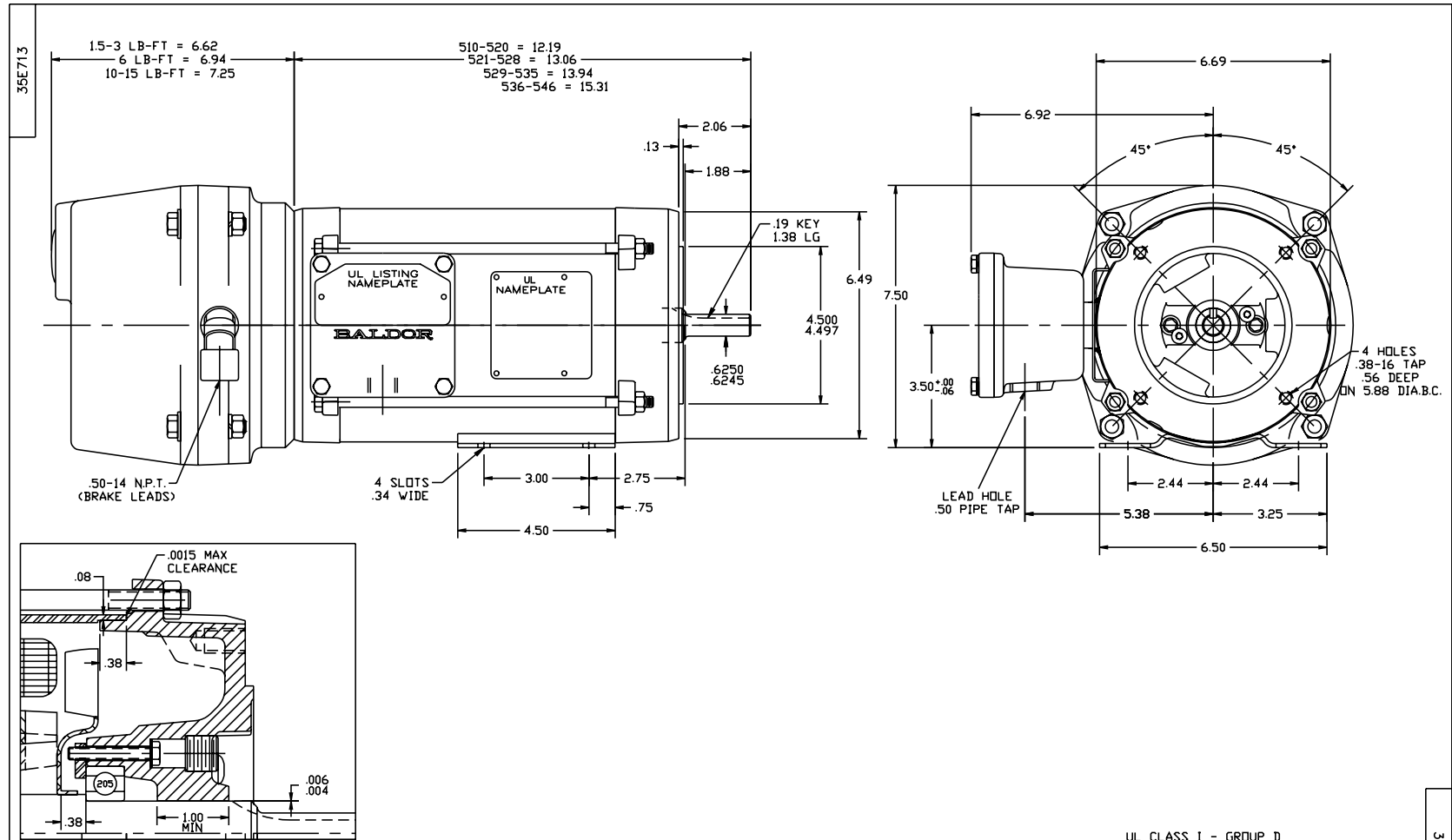
Nameplate Data				460 V, 60 Hz: High Voltage Connection	
Rated Output (HP)	.75			Full Load Torque	2.26 LB-FT
Volts	208-230/460			Start Configuration	direct on line
Full Load Amps	3-2.8/1.4			Breakdown Torque	11.5 LB-FT
R.P.M.	1750			Pull-up Torque	6.93 LB-FT
Hz	60	Phase	3	Locked-rotor Torque	7.71 LB-FT
NEMA Design Code	B	KVA Code	M	Starting Current	10.5 A
Service Factor (S.F.)	1			No-load Current	1.07 A
NEMA Nom. Eff.	78.5	Power Factor	66	Line-line Res. @ 25°C	21.9 Ω
Rating - Duty	40C AMB-CONT			Temp. Rise @ Rated Load	78°C
S.F. Amps				Temp. Rise @ S.F. Load	92°C
				Locked-rotor Power Factor	68
				Rotor inertia	0.0827 LB-FT <sup>2</sup>

**Load Characteristics 460 V, 60 Hz, 0.75 HP**

% of Rated Load	25	50	75	100	125	150
Power Factor	28	44	56	66	74	79
Efficiency	57.4	71.1	76.3	78.8	78.8	78.5
Speed	1789	1777	1766	1751	1736	1722
Line amperes	1.08	1.14	1.22	1.36	1.52	1.69

Performance Graph at 460V, 60Hz, 0.75HP Typical performance - Not guaranteed values





UL CLASS I - GROUP D

CUST. NAME		CUST. P.O.		REMARKS:	
MODEL	INSUL	AMB	H.P.	MTG	REV: F   UPDATED TO ACAD
R.P.M.	VOLTS	ENCL	PHASE	FREQ	SCALE: .4 BY: PGM REVISED: 01/06/94
FRAME	TYPE	CERTIFIED BY		FILE: AAAA0007644	TDR: 0046754

**BALDOR ELECTRIC Co.**

STANDARD HORZ NEMA 56C TENV X35M W/BRAKE CL I-GP D

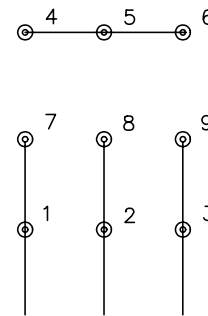
35E713



CD0005

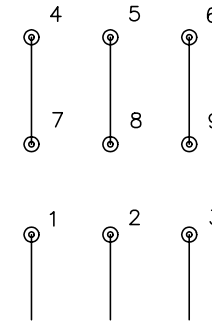


LOW VOLTAGE  
(2Y)



LINE

HIGH VOLTAGE  
(1Y)



LINE

NOTES:

1. INTERCHANGE ANY TWO LINE LEADS TO REVERSE ROTATION.
2. OPTIONAL THERMOSTATS ARE PROVIDED WHEN SPECIFIED.
3. ACTUAL NUMBER OF INTERNAL PARALLEL CIRCUITS MAY BE A MULTIPLE OF THOSE SHOWN ABOVE.
4. LEAD COLORS ARE OPTIONAL. LEADS MUST ALWAYS BE NUMBERED AS SHOWN.

REV. DESC: REVISE TO SHOW OPTIONAL COLORS			
REV. LTR: E	BY: JLP	REVISED: 01/19/99 10:15	TDR: 0171435
90000		FILE: AAA00005140	MDL: -
		MTL: -	

**BALDOR ELECTRIC Co.**

3PH, DV, 9 LEADS

CD0005