

# **BALDOR**® • *RELIANCE*

## **Product Information Packet**

# **CM3542-5**

**.75HP, 1725RPM, 3PH, 60HZ, 56C, 3420M, TEFC, F1**

Part Detail							
Revision:	M	Status:	PRD/A	Change #:		Proprietary:	No
Type:	AC	Prod. Type:	3420M	Elec. Spec:	34WG0908	CD Diagram:	CD0006
Enclosure:	TEFC	Mfg Plant:		Mech. Spec:	34A062	Layout:	34LYA062
Frame:	56C	Mounting:	F1	Poles:	04	Created Date:	
Base:	RG	Rotation:	R	Insulation:	B	Eff. Date:	09-22-2016
Leads:	3#18					Replaced By:	
Literature:		Elec. Diagram:					

Nameplate NP1256L										
CAT.NO.	CM3542-5									
SPEC.	34A062-0908									
HP	.75									
VOLTS	575									
AMP	1.2									
RPM	1725									
FRAME	56C				HZ	60			PH	3
SER.F.	1.25		CODE	K	DES	B		CLASS	B	
NEMA-NOM-EFF	75.5		PF	60						
RATING	40C AMB-CONT									
CC	USABLE AT 208V									
DE	6203				ODE	6203				
ENCL	TEFC		SN							
	SFA 1.4									

Parts List		
Part Number	Description	Quantity
SA057524	SA 34A062-0908	1.000 EA
RA052014	RA 34A062-0908	1.000 EA
NS2512A01	INSULATOR, CONDUIT BOX X	1.000 EA
34CB3002A	CB CAST W/.88 DIA HOLE	1.000 EA
34GS1029A01	GASKET, CONDUIT BOX	1.000 EA
51XB1016A07	10-16 X 7/16 HXWSSLD SERTYB	2.000 EA
11XW1032G06	10-32 X .38, TAPTITE II, HEX WSHR SLTD U	1.000 EA
34EP3102A01SP	FR ENDPLATE, MACH	1.000 EA
HW5100A03SP	WAVY WASHER (W1543-017)	1.000 EA
34EP3300A24SP	PU ENDPLATE, MACH	1.000 EA
51XN1032A20	10-32 X 1 1/4 HX WS SL SR	2.000 EA
34FN3002A01SP	EXTERNAL FAN, PLASTIC, .637/.639 HUB W/	1.000 EA
34FH4002A01SP	IEC FH NO GREASER PRIMED	1.000 EA
51XW1032A06	10-32 X .38, TAPTITE II, HEX WSHR SLTD S	3.000 EA
34CB4517	CB LID 4 MTG HOLES .22 DIA STAMPED, FOR	1.000 EA
34GS1031A01	GASKET, FLAT CONDUIT BOX LID (LEXIDE)	1.000 EA
51XW0832A07	8-32 X .44, TAPTITE II, HEX WSHR SLTD SE	4.000 EA
HW2501D13	KEY, 3/16 SQ X 1.375	1.000 EA
HA7000A04	KEY RETAINER 0.625 DIA SHAFTS	1.000 EA
MG1000G27	MED CHARCOAL METALLIC GREY 400-0096	0.014 GA
10XF0440S02	04-40 X 1/8 TYPE F HEX HD STAINLESS STIC	2.000 EA
HA3100A12	THRUBOLT 10-32 X 7.375	4.000 EA
MN416A01	TAG-INSTAL-MAINT no wire (1200/bx) 11/14	1.000 EA
LB1119N	WARNING LABEL	1.000 EA

<b>Parts List (continued)</b>		
<b>Part Number</b>	<b>Description</b>	<b>Quantity</b>
NP1256L	ALUM UL CSA CC	1.000 EA
34PA1002	PKG GRP, PRINT    PK1001A01	1.000 EA

**AC Induction Motor Performance Data**

Record # 33219 - Typical performance - not guaranteed values

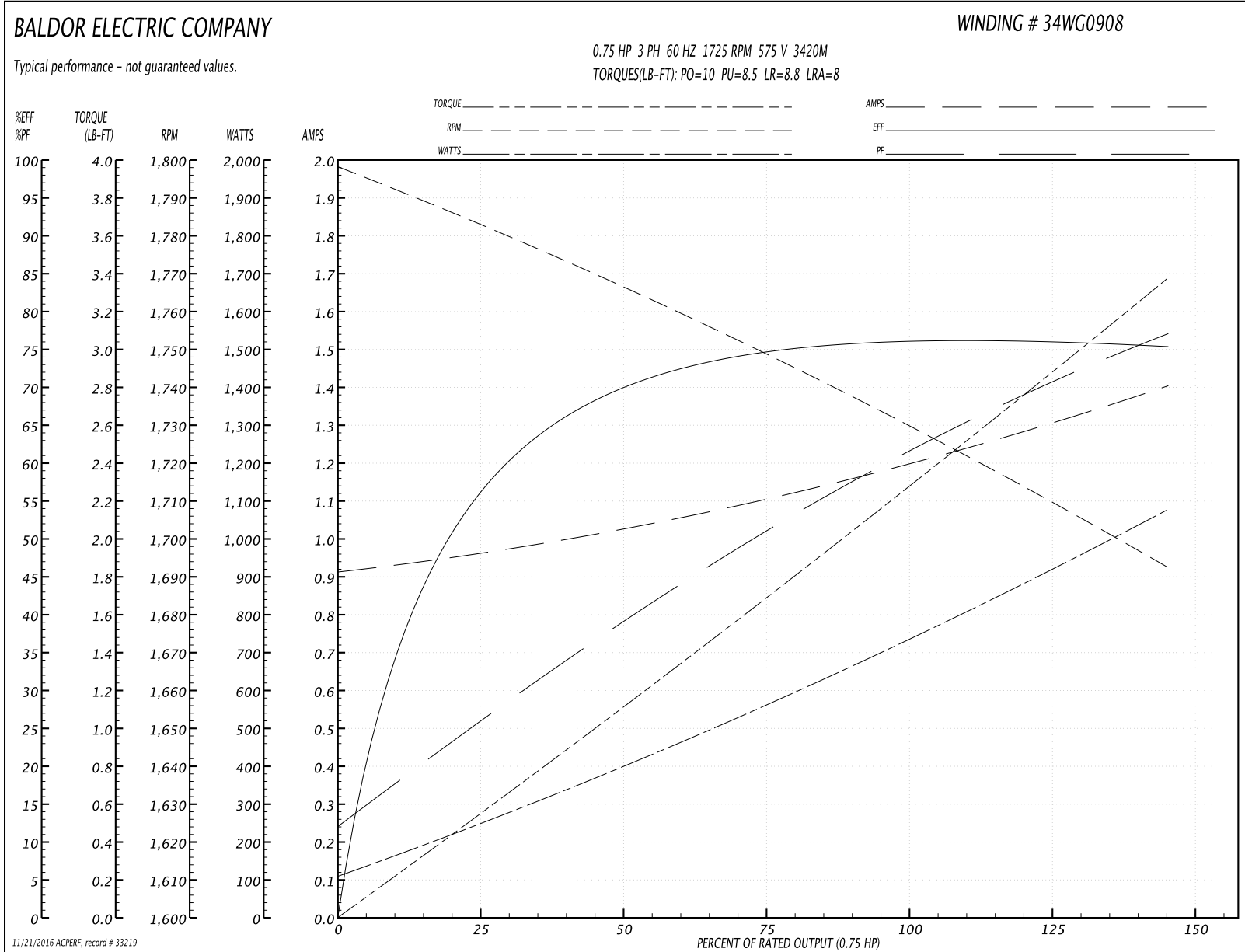
<b>Winding:</b> 34WG0908-R001	<b>Type:</b> 3420M	<b>Enclosure:</b> TEFC
-------------------------------	--------------------	------------------------

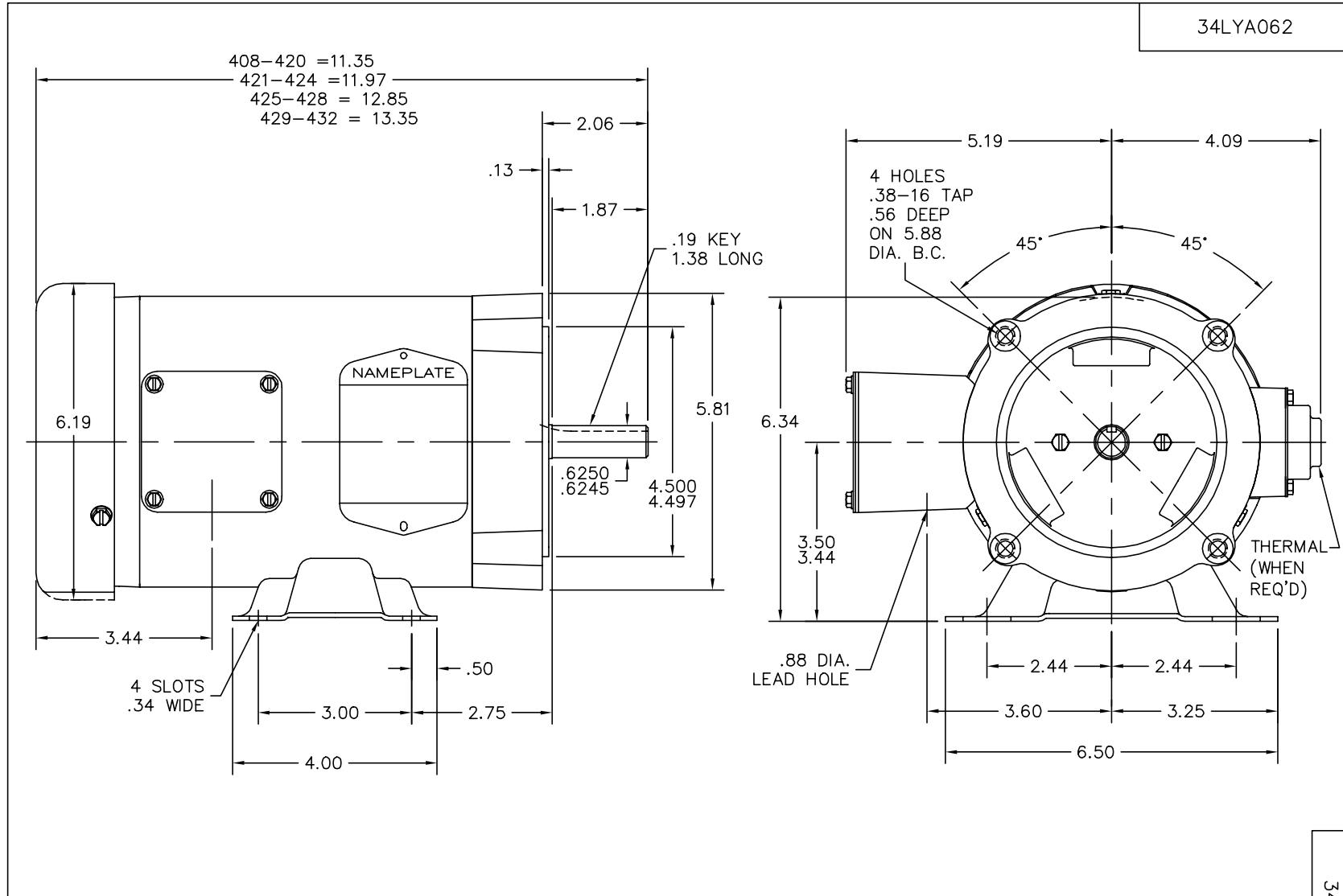
Nameplate Data				575 V, 60 Hz: Single Voltage Motor	
Rated Output (HP)	.75			Full Load Torque	2.25 LB-FT
Volts	575			Start Configuration	direct on line
Full Load Amps	1.2			Breakdown Torque	10 LB-FT
R.P.M.	1725			Pull-up Torque	8.5 LB-FT
Hz	60	Phase	3	Locked-rotor Torque	8.8 LB-FT
NEMA Design Code	B	KVA Code	K	Starting Current	8 A
Service Factor (S.F.)	1.25			No-load Current	0.9 A
NEMA Nom. Eff.	75.5	Power Factor	60	Line-line Res. @ 25°C	27.8 Ω
Rating - Duty	40C AMB-CONT			Temp. Rise @ Rated Load	48°C
S.F. Amps	1.4			Temp. Rise @ S.F. Load	59°C

Load Characteristics 575 V, 60 Hz, 0.75 HP

% of Rated Load	25	50	75	100	125	150	S.F.
Power Factor	26	41	51	61	69	77	69
Efficiency	56.1	70	74.8	76.2	76	75.3	76
Speed	1783	1766	1749	1731	1711	1693	1711
Line amperes	1	1	1.1	1.2	1.3	1.4	1.3

Performance Graph at 575V, 60Hz, 0.75HP Typical performance - Not guaranteed values





CUSTOMER IS RESPONSIBLE FOR DETERMINING THAT MOTOR PERFORMANCE IS SUITABLE IN THE APPLICATION.

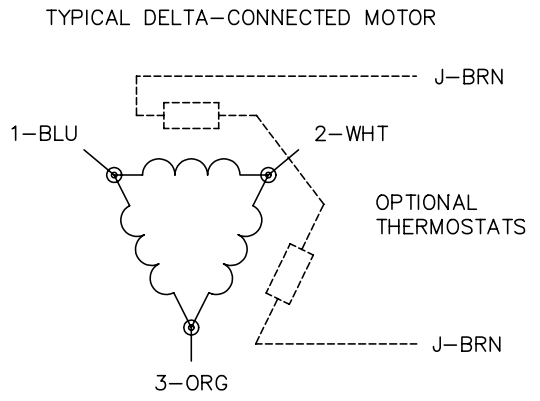
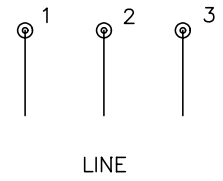
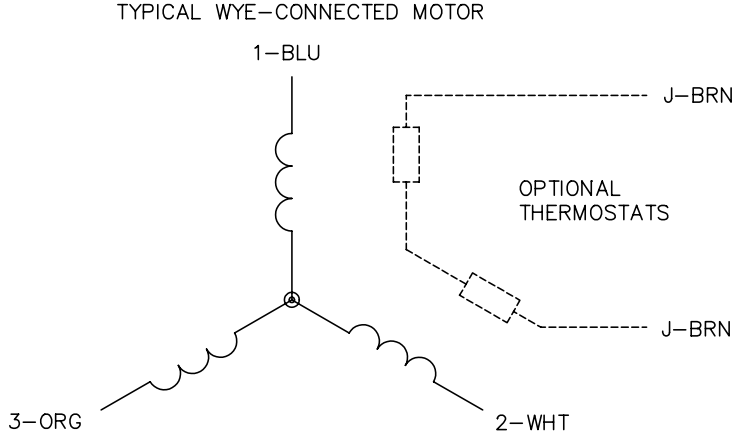
REV. DESC: UPDATED KBOX & LID		
REV. LTR: Q	VERSION: 02	TDR: 000000377176
34LYA062	FILE: \AAA\00000\725	REVISED: 08:00:53 09/28/2005
	MTL: -	BY: ENROSTO

**BALDOR ELECTRIC Co.**

STD HORZ 34M NEMA 56C TEFC

34LYA062

CD0006



- NOTES:
1. THREE LEAD MOTOR MAY BE EITHER WYE CONNECTED OR DELTA CONNECTED.
  2. INTERCHANGE ANY TWO LINE LEADS TO REVERSE ROTATION.
  3. OPTIONAL THERMOSTATS ARE PROVIDED WHEN SPECIFIED.
  4. ACTUAL NUMBER OF INTERNAL PARALLEL CIRCUITS MAY VARY.
  5. LEAD COLORS ARE OPTIONAL. LEADS MUST BE NUMBERED AS SHOWN.

REV. DESC: REVISE TO SHOW OPTIONAL COLORS			
REV. LTR: D	BY: JLP	REVISED: 01/21/99 4:02	TDR: 0171435
9000D		FILE: AAA00005141	MDL: -
		MTL: -	

**BALDOR ELECTRIC Co.**

3PH, SV, 3 LEADS, WYE OR DELTA CONNECTED

CD0006