

# **BALDOR**® • **RELIANCE**

## **Product Information Packet**

# **EHM3615T-5**

**5HP,1750RPM,3PH,60HZ,184T,3642M,TEFC,F1**

| Part Detail |      |                |       |             |          |               |            |
|-------------|------|----------------|-------|-------------|----------|---------------|------------|
| Revision:   | J    | Status:        | PRD/A | Change #:   |          | Proprietary:  | No         |
| Type:       | AC   | Prod. Type:    | 3642M | Elec. Spec: | 36WGS551 | CD Diagram:   | CD0006     |
| Enclosure:  | TEFC | Mfg Plant:     |       | Mech. Spec: | 36M965   | Layout:       | 36LYM965   |
| Frame:      | 184T | Mounting:      | F1    | Poles:      | 04       | Created Date: | 10-05-2010 |
| Base:       | RG   | Rotation:      | R     | Insulation: | F        | Eff. Date:    | 09-27-2016 |
| Leads:      | 3#16 |                |       |             |          | Replaced By:  |            |
| Literature: |      | Elec. Diagram: |       |             |          |               |            |

| Nameplate NP2094E06B03 |                |
|------------------------|----------------|
| CAT.NO.                | EHM3615T-5     |
| SPEC.                  | 36M965S551G1   |
| HP                     | 5              |
| VOLTS                  | 575            |
| AMPS                   | 5.3            |
| RPM                    | 1750           |
| FRAME                  | 184T           |
|                        | HZ 60          |
|                        | PH 3           |
| SER.F.                 | 1.15           |
|                        | CODE J         |
|                        | DES B          |
|                        | CL F           |
| NEMA-NOM-EFF           | 89.5           |
|                        | PF 78          |
| RATING                 | 40C AMB-CONT   |
| CC                     | 010A           |
|                        | USABLE AT 208V |
| DE                     | 6206           |
|                        | ODE 6205       |
| AUTO                   | N              |
|                        | MANUAL N       |
|                        | NONE Y         |
| ENCL                   | TEFC           |
|                        | SN             |
| BLANK                  |                |

| Parts List   |  |          |
|--------------|--|----------|
| Part Number  | Description                              | Quantity |
| SA204644     | SA 36M965S551G1                          | 1.000 EA |
| RA191889     | RA 36M965S551G1                          | 1.000 EA |
| 36FN3000C01  | EXFN, PLASTIC, 5.25 OD, .912 ID          | 1.000 EA |
| HA6362ZP     | LIFTING LUG FOR 36 FRAME MOTORS.         | 2.000 EA |
| 36CB3004     | 36 CB CASTING W/1.09 DIA LEAD HOLE @ 6:0 | 1.000 EA |
| 36GS1000SP   | GASKET-CONDUIT BOX, .06 THICK #SV-330 LE | 1.000 EA |
| 51XB1016A08  | 10-16X 1/2HXWSSLD SERTYB                 | 2.000 EA |
| 11XW1032G06  | 10-32 X .38, TAPTITE II, HEX WSHR SLTD U | 1.000 EA |
| 36FE3104A01  | FREP MACH ASSEMBLY FOR ROUTING           | 1.000 EA |
| HW4500A19    | 1/4-28X1/4 SLOTTED PLUG F/S              | 1.000 EA |
| HW5100A05    | WVY WSHR F/205 & 304 BRGS                | 1.000 EA |
| 36EP3100B98  | PU ENDPLATE, MACH                        | 1.000 EA |
| 91XN0540J08  | SCREW, 5-40 X 1/2", FHC, AS              | 2.000 EA |
| HW4500A19    | 1/4-28X1/4 SLOTTED PLUG F/S              | 1.000 EA |
| XY2520A12    | 1/4-20 HEX NUT, DIRECTIONAL SERRATIONS   | 4.000 EA |
| 51XB1214A16  | 12-14X1.00 HXWSSLD SERTYB                | 1.000 EA |
| 36FH4009A124 | IEC FH W/GRSR,GRILL,NO DIMPLES,PRIMER    | 1.000 EA |
| 51XW1032A06  | 10-32 X .38, TAPTITE II, HEX WSHR SLTD S | 3.000 EA |
| 36CB4516     | 36 LIPPED CB LID                         | 1.000 EA |
| 37GS1001SP   | GASKET, CONDUIT BOX LID, .06 THICK LEXID | 1.000 EA |
| 51XW0832A07  | 8-32 X .44, TAPTITE II, HEX WSHR SLTD SE | 4.000 EA |
| HW2501E16    | 3KEY, 1/4 SQ X 1.750                     | 1.000 EA |
| HA7000A02    | KEY RETAINER RING, 1 1/8 DIA, 1 3/8 DIA  | 1.000 EA |
| LB1115N      | LABEL,LIFTING DEVICE (ON ROLLS)          | 1.000 EA |

| <b>Parts List (continued)</b> |  |                 |
|-------------------------------|--|-----------------|
| <b>Part Number</b>            | <b>Description</b>                       | <b>Quantity</b> |
| MJ1000A02                     | GREASE, POLYREX EM EXXON (USe 4824-15A)  | 0.050 LB        |
| HA3101A40                     | THRUBOLT 1/4-20 X 12.687                 | 4.000 EA        |
| MG1000G27                     | MED CHARCOAL METALLIC GREY 400-0096      | 0.022 GA        |
| LC0006                        | CONNECTION LABEL                         | 1.000 EA        |
| NP2094E06B03                  | NP LABEL W/BARCODE (PREM EFF HVAC MTR)   | 1.000 EA        |
| G0PA1000                      | PKG GRP, PRINT PK1026A06                 | 1.000 EA        |
| MN416A01                      | TAG-INSTAL-MAINT no wire (1000/bx) 11/14 | 1.000 EA        |

**AC Induction Motor Performance Data**

Record # 32022 - Typical performance - not guaranteed values

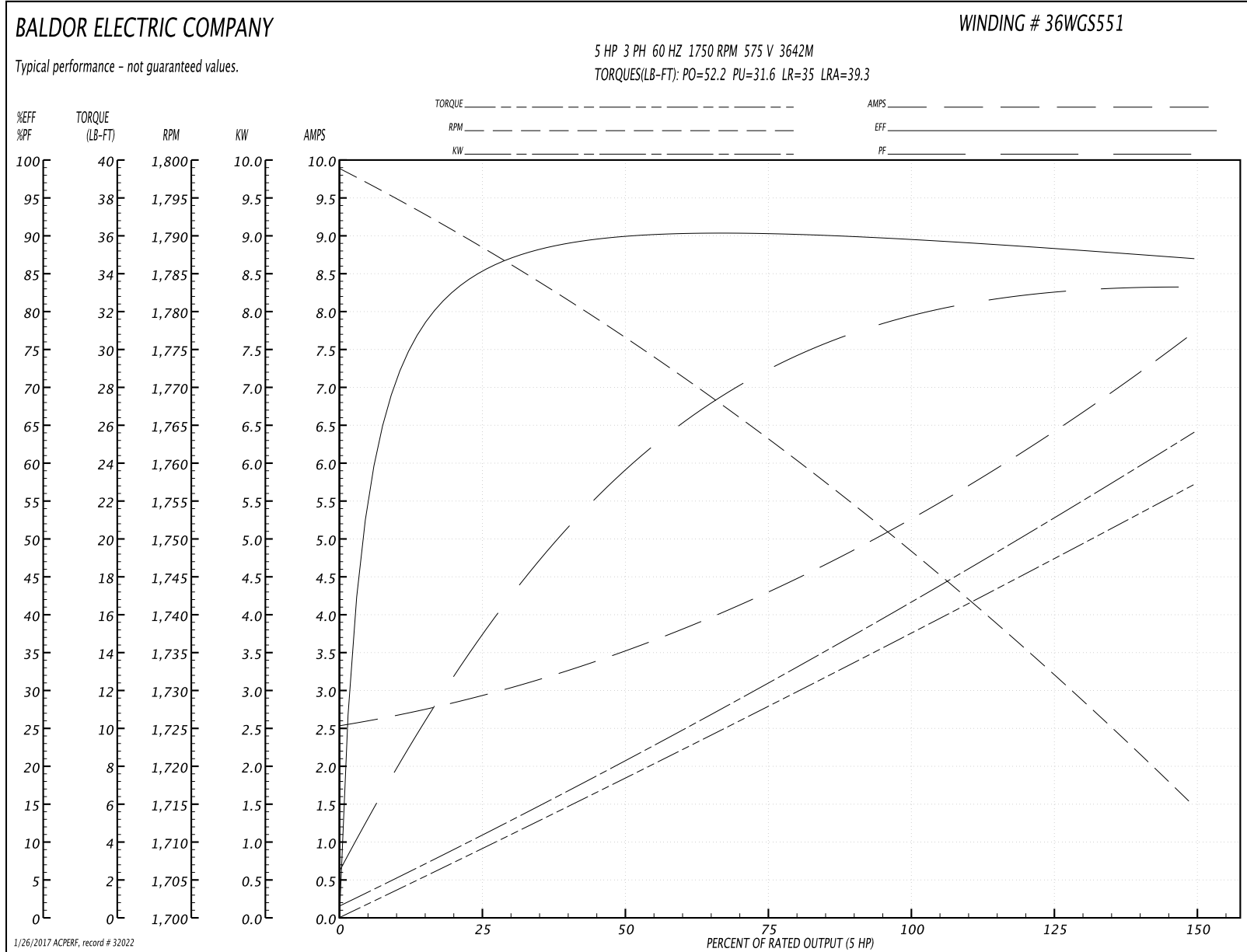
|                               |                    |                        |
|-------------------------------|--------------------|------------------------|
| <b>Winding:</b> 36WGS551-R001 | <b>Type:</b> 3642M | <b>Enclosure:</b> TEFC |
|-------------------------------|--------------------|------------------------|

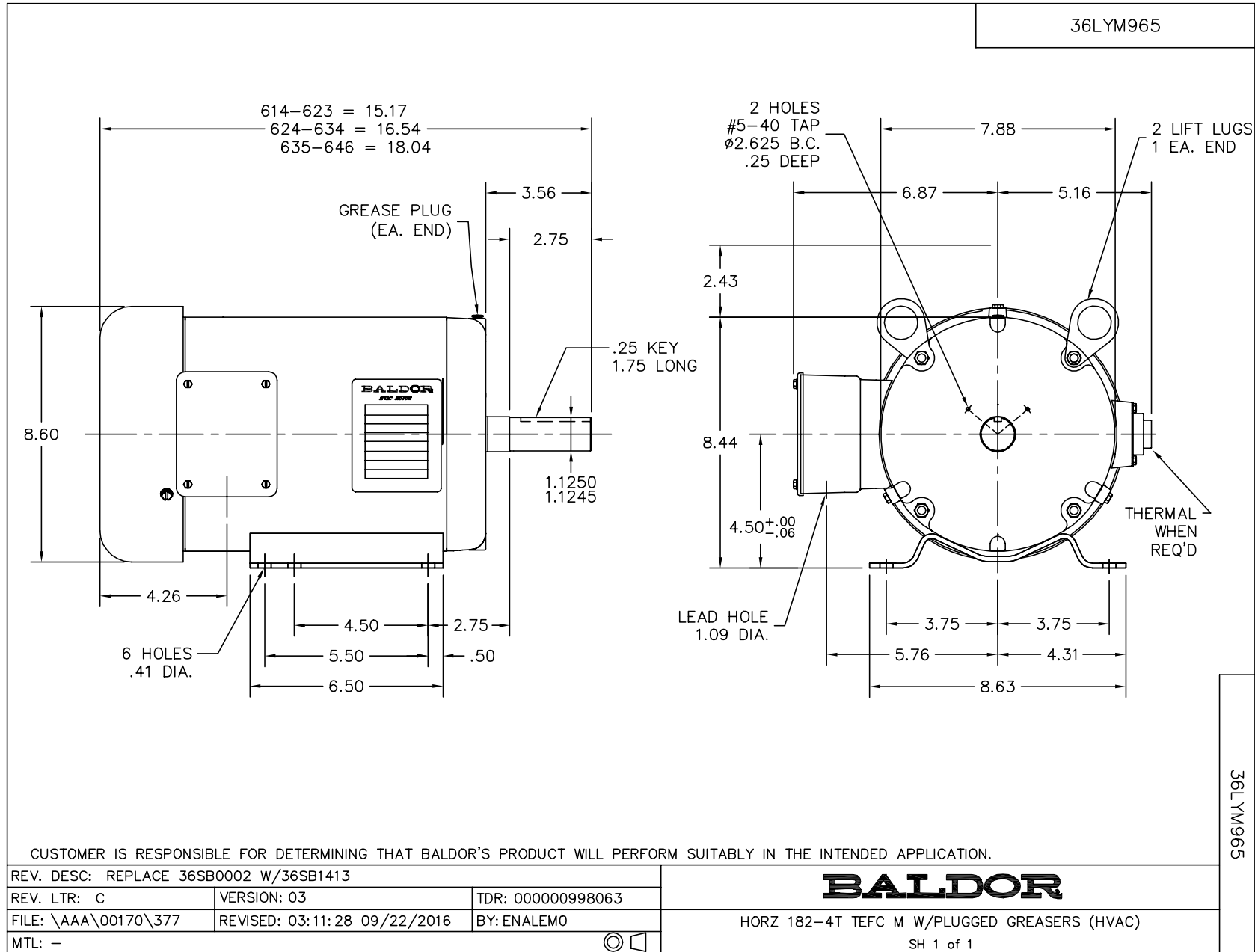
| Nameplate Data        |              |              |    | 575 V, 60 Hz:<br>Single Voltage Motor |                          |
|-----------------------|--------------|--------------|----|---------------------------------------|--------------------------|
| Rated Output (HP)     | 5            |              |    | Full Load Torque                      | 14.9 LB-FT               |
| Volts                 | 575          |              |    | Start Configuration                   | direct on line           |
| Full Load Amps        | 5.3          |              |    | Breakdown Torque                      | 52.2 LB-FT               |
| R.P.M.                | 1750         |              |    | Pull-up Torque                        | 31.6 LB-FT               |
| Hz                    | 60           | Phase        | 3  | Locked-rotor Torque                   | 35 LB-FT                 |
| NEMA Design Code      | B            | KVA Code     | J  | Starting Current                      | 39.3 A                   |
| Service Factor (S.F.) | 1.15         |              |    | No-load Current                       | 2.6 A                    |
| NEMA Nom. Eff.        | 89.5         | Power Factor | 78 | Line-line Res. @ 25°C                 | 3.57 Ω                   |
| Rating - Duty         | 40C AMB-CONT |              |    | Temp. Rise @ Rated Load               | 77°C                     |
| S.F. Amps             |              |              |    | Temp. Rise @ S.F. Load                | 94°C                     |
|                       |              |              |    | Locked-rotor Power Factor             | 40                       |
|                       |              |              |    | Rotor inertia                         | 0.391 LB-FT <sup>2</sup> |

Load Characteristics 575 V, 60 Hz, 5 HP

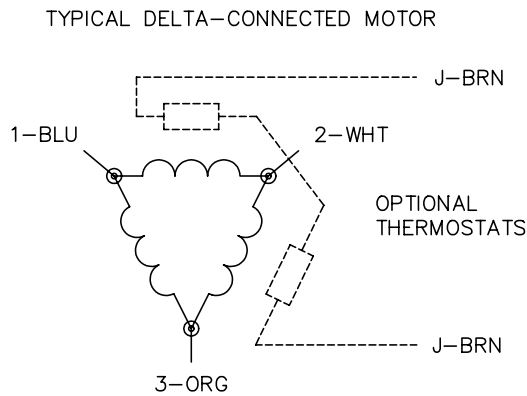
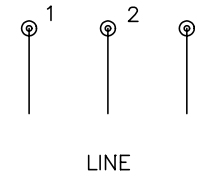
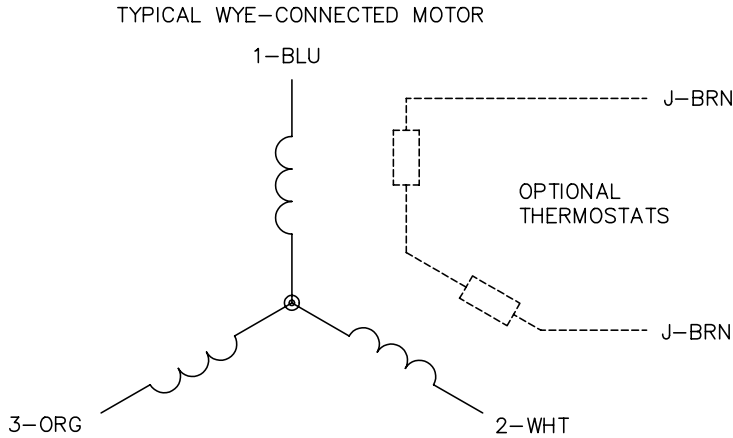
| % of Rated Load | 25   | 50   | 75   | 100  | 125  | 150  | S.F. |
|-----------------|------|------|------|------|------|------|------|
| Power Factor    | 38   | 60   | 72   | 78   | 83   | 83   | 81   |
| Efficiency      | 84.8 | 89.6 | 90.5 | 89.5 | 88.5 | 86.9 | 88.9 |
| Speed           | 1789 | 1776 | 1762 | 1750 | 1733 | 1714 | 1740 |
| Line amperes    | 2.85 | 3.45 | 4.35 | 5.33 | 6.36 | 7.72 | 5.95 |

Performance Graph at 575V, 60Hz, 5.0HP Typical performance - Not guaranteed values





CD0006



NOTES:

1. THREE LEAD MOTOR MAY BE EITHER WYE CONNECTED OR DELTA CONNECTED.
2. INTERCHANGE ANY TWO LINE LEADS TO REVERSE ROTATION.
3. OPTIONAL THERMOSTATS ARE PROVIDED WHEN SPECIFIED.
4. ACTUAL NUMBER OF INTERNAL PARALLEL CIRCUITS MAY VARY.
5. LEAD COLORS ARE OPTIONAL. LEADS MUST BE NUMBERED AS SHOWN.

|   |         |                        |              |
|---|---------|------------------------|--------------|
| REV. DESC: REVISE TO SHOW OPTIONAL COLORS |         |                        |              |
| REV. LTR: D                               | BY: JLP | REVISED: 01/21/99 4:02 | TDR: 0171435 |
| 9000D                                     |         | FILE: AAA00005141      | MDL: -       |
|   |         | MTL: -                 |              |

**BALDOR ELECTRIC Co.**

3PH, SV, 3 LEADS, WYE OR DELTA CONNECTED

CD0006