

BALDOR® • ***RELIANCE***

Product Information Packet

EJPM2535T

30HP, 1775RPM, 3PH, 60HZ, 286JP, 4060M, OPSB, F

Part Detail							
Revision:	B	Status:	PRD/A	Change #:		Proprietary:	No
Type:	AC	Prod. Type:	4060M	Elec. Spec:	40WGX339	CD Diagram:	CD0005
Enclosure:	OPSB	Mfg Plant:		Mech. Spec:	40E210	Layout:	40LYE210
Frame:	286JP	Mounting:	F1	Poles:	04	Created Date:	06-22-2016
Base:	RG	Rotation:	R	Insulation:	F	Eff. Date:	01-13-2017
Leads:	9#8					Replaced By:	
Literature:		Elec. Diagram:					

Nameplate NP2138L											
CAT.NO.	EJPM2535T			P/N				ENCLOSURE	OPSB		
SPEC.	40E210X339	CC	010A	FRAME	286JP			S/N			
HP	30			CLASS	F	HZ	60				
RPM	1775			PH	3	DES	A				
VOLT	230/460			KVA-CODE	H			ODE BRG	6309	DE BRG	6312
AMP	72/36			USABLE AT 208V	76						
RATING	40C AMB-CONT			GREASE	POLYREX EM						
NEMA-NOM-EFF	94.1	PF	82	SER.F.	1.15						
HTR-VOLTS				HTR-AMPS				MAX. SPACE HEATER TEMP.			

Parts List		
Part Number	Description	Quantity
SA322715	SA 40E210X339	1.000 EA
RA310514	RA 40E210X339	1.000 EA
S/P107-000-004	SUPER-E(284 FR. & UP)-CL PLANT,POLYREX E	1.000 EA
HA6017	CAST ADAPTER, 40,42 KOBX	1.000 EA
19XW3118A12	.31-18 X .75 HEX WASHER HEAD TAPTITE II	2.000 EA
HW1001A31	LOCKWASHER 5/16, ZINC PLT.591 OD, .319 I	2.000 EA
10CB3000SP	STD KO BOX MODEL 310,312,314 MTRS W/2.00	1.000 EA
19XW3118A12	.31-18 X .75 HEX WASHER HEAD TAPTITE II	4.000 EA
HW1001A31	LOCKWASHER 5/16, ZINC PLT.591 OD, .319 I	4.000 EA
WD1000B16	T&B CX70TN TERMINAL	1.000 EA
51XF2520A08	SCREW, HEX SER SLT HD, ZN 1/4-20 X .50 L	1.000 EA
40EP3200A02	STD FREP OPEN 309 BRG	1.000 EA
HA1166A06	RODENT SCREEN FOR 40 ENDPLATE 40EP3200.	1.000 EA
51XW1032A06	10-32 X .38, TAPTITE II, HEX WSHR SLTD S	4.000 EA
HW5100A11	W3917-042 WVY WSHR (WB)	1.000 EA
40EP1300A01	PU ENDPLATE, MACH	1.000 EA
HA1166A02	RODENT SCREEN FOR 40 ENDPLATE 40EP1300A.	1.000 EA
51XW1032A06	10-32 X .38, TAPTITE II, HEX WSHR SLTD S	4.000 EA
10XN3118K40	5/16-18 X 2.50" HEX HD, GRADE 5	4.000 EA
HW1001A31	LOCKWASHER 5/16, ZINC PLT.591 OD, .319 I	4.000 EA
10CB3500SP	CONDUIT BOX LID, CAST	1.000 EA
51XW2520A12	.25-20 X .75, TAPTITE II, HEX WSHR SLTD	4.000 EA
HA2009A03	SLINGER, ALUMINUM, (AUTO)ANODIZED ALUM	1.000 EA
80XN1032A06	10-32 X 3/8 SET SC HEX SOCK	1.000 EA

Parts List (continued)		
Part Number	Description	Quantity
HW2501E18	KEY, 1/4 SQ X 2.000	1.000 EA
LB1115N	LABEL,LIFTING DEVICE (ON ROLLS)	1.000 EA
HW4500A03	GREASE FITTING, .125 NPT 1610(ALEMITE) 8	1.000 EA
HW4500A17	317400 ALEMITE GREASE RELIEF	1.000 EA
HA4051A00	PLASTIC CAP FOR GREASE FITTING	1.000 EA
MJ1000A02	GREASE, POLYREX EM EXXON (USe 4824-15A)	0.050 LB
HW4500A03	GREASE FITTING, .125 NPT 1610(ALEMITE) 8	1.000 EA
HW4500A17	317400 ALEMITE GREASE RELIEF	1.000 EA
HA4051A00	PLASTIC CAP FOR GREASE FITTING	1.000 EA
MG1000Y03	MUNSELL 2.53Y 6.70/ 4.60, GLOSS 20,	0.070 GA
85XU0407S04	4X1/4 U DRIVE PIN STAINLESS	4.000 EA
40AD2002A01	LEXAN BAFFLE 40 FR OPEN	1.000 EA
40AD2002A01	LEXAN BAFFLE 40 FR OPEN	1.000 EA
HA3113A13	THRUBOLT 3/8-16 X 19.750 W/4.00 THD LENG	4.000 EA
LC0005E01	CONN.DIA./WARNING LABEL (LC0005/LB1119N)	1.000 EA
NP2138L	ALUM SUPER-E UL CSA-EEV PREM CC (300	1.000 EA
42PA1000	PACKAGING GROUP PRINT PK1024A06	1.000 EA
MN416A01	TAG-INSTAL-MAINT no wire (1000/bx) 11/14	1.000 EA

AC Induction Motor Performance Data

Record # 56978 - Typical performance - not guaranteed values

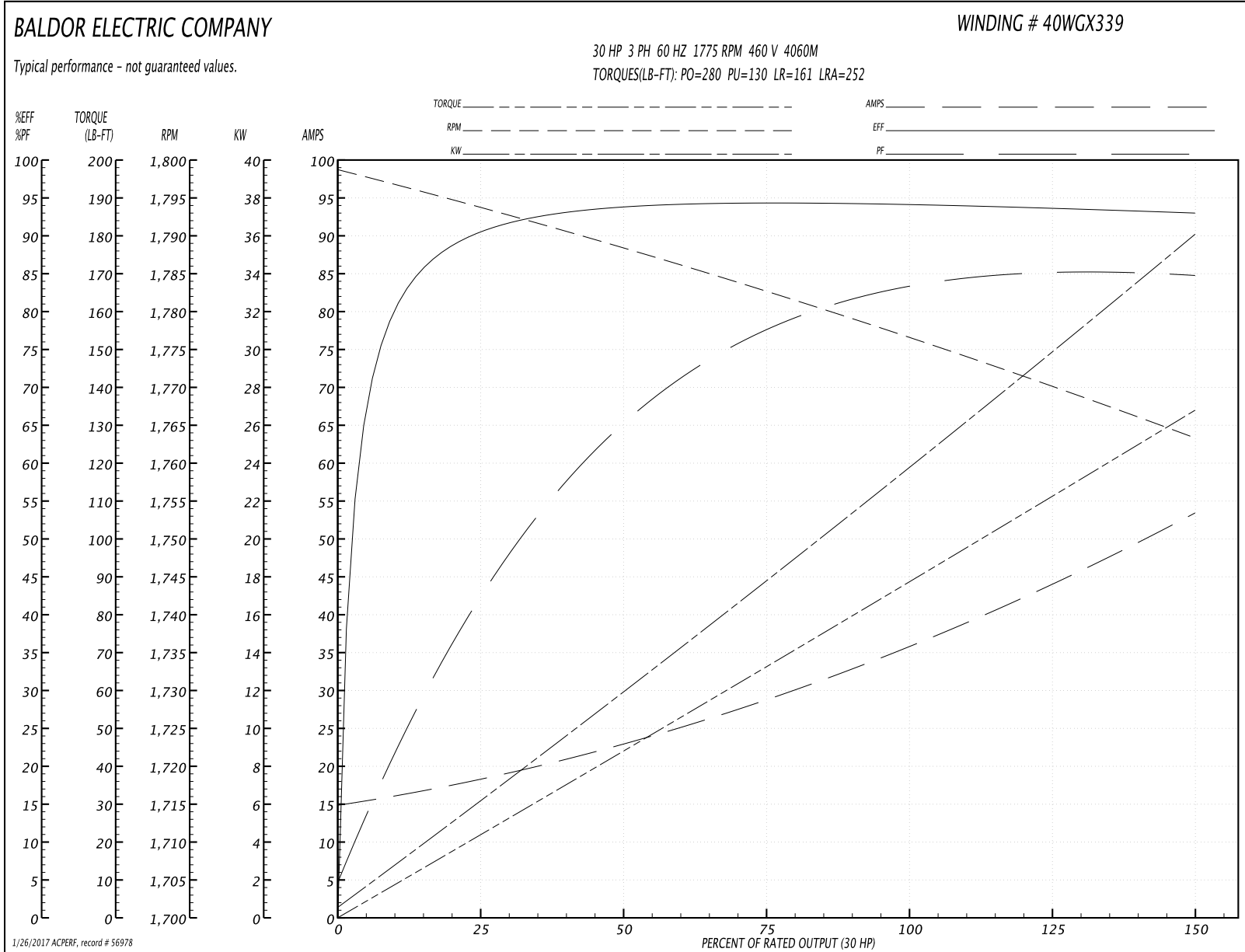
Winding: 40WX339-R001	Type: 4060M	Enclosure: OPSB
------------------------------	--------------------	------------------------

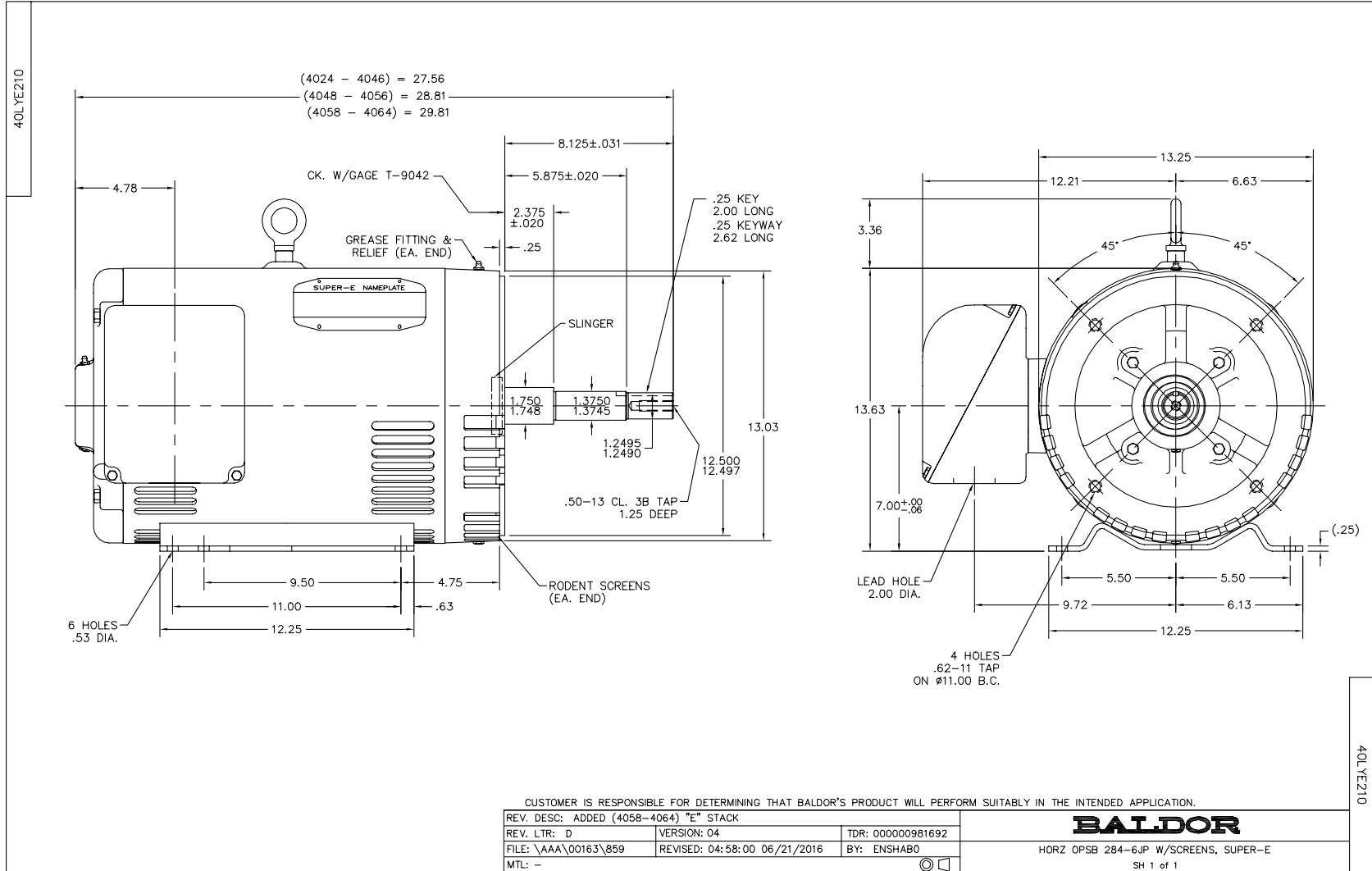
Nameplate Data				460 V, 60 Hz: High Voltage Connection	
Rated Output (HP)	30			Full Load Torque	88.8 LB-FT
Volts	230/460			Start Configuration	direct on line
Full Load Amps	72/36			Breakdown Torque	280 LB-FT
R.P.M.	1775			Pull-up Torque	130 LB-FT
Hz	60	Phase	3	Locked-rotor Torque	161 LB-FT
NEMA Design Code	A	KVA Code	H	Starting Current	252 A
Service Factor (S.F.)	1.15			No-load Current	15.4 A
NEMA Nom. Eff.	0	Power Factor	0	Line-line Res. @ 25°C	0.22043 Ω
Rating - Duty	40C AMB-CONT			Temp. Rise @ Rated Load	29°C
S.F. Amps				Temp. Rise @ S.F. Load	35°C
				Locked-rotor Power Factor	31.4

Load Characteristics 460 V, 60 Hz, 30 HP

% of Rated Load	25	50	75	100	125	150	S.F.
Power Factor	44	67	77	82	85	85	84
Efficiency	90.5	93.8	94.4	94.3	93.9	93.2	94.1
Speed	1793.6	1788.1	1782.5	1776.9	1770.4	1763.1	1773
Line amperes	17.7	22.5	29	36.3	44.3	53	41.1

Performance Graph at 460V, 60Hz, 30.0HP Typical performance - Not guaranteed values





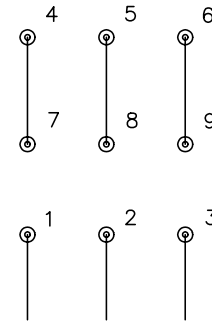
CD0005



LOW VOLTAGE
(2Y)



HIGH VOLTAGE
(1Y)



NOTES:

1. INTERCHANGE ANY TWO LINE LEADS TO REVERSE ROTATION.
2. OPTIONAL THERMOSTATS ARE PROVIDED WHEN SPECIFIED.
3. ACTUAL NUMBER OF INTERNAL PARALLEL CIRCUITS MAY BE A MULTIPLE OF THOSE SHOWN ABOVE.
4. LEAD COLORS ARE OPTIONAL. LEADS MUST ALWAYS BE NUMBERED AS SHOWN.

REV. DESC: REVISE TO SHOW OPTIONAL COLORS			
REV. LTR: E	BY: JLP	REVISED: 01/19/99 10:15	TDR: 0171435
9000D		FILE: AAA00005140	MDL: -
		MTL: -	

BALDOR ELECTRIC Co.

3PH, DV, 9 LEADS

CD0005

Marketing maintained PDF of MN416:

<http://www.baldor.com/support/Literature/Load.ashx/MN416?ManNumber=MN416>