

# **BALDOR**® • ***RELIANCE***

## **Product Information Packet**

# **EL11206**

**.33HP,1740RPM,1PH,60HZ,48,3418LC,ODP,F1**

| Part Detail |      |                |        |             |          |               |            |
|-------------|------|----------------|--------|-------------|----------|---------------|------------|
| Revision:   | C    | Status:        | PRD/A  | Change #:   |          | Proprietary:  | No         |
| Type:       | AC   | Prod. Type:    | 3418LC | Elec. Spec: | 34WGW954 | CD Diagram:   | CD0055     |
| Enclosure:  | ODP  | Mfg Plant:     |        | Mech. Spec: | 34F351   | Layout:       | 34LYF351   |
| Frame:      | 48   | Mounting:      | F1     | Poles:      | 04       | Created Date: | 03-11-2014 |
| Base:       | RG   | Rotation:      | R      | Insulation: | F        | Eff. Date:    | 11-06-2015 |
| Leads:      | 6#18 |                |        |             |          | Replaced By:  |            |
| Literature: |      | Elec. Diagram: |        |             |          |               |            |

| Nameplate NP3155L |              |  |  |  |  |      |      |  |     |                |    |   |
|-------------------|--------------|--|--|--|--|------|------|--|-----|----------------|----|---|
| CAT.NO.           | EL11206      |  |  |  |  |      |      |  |     |                |    |   |
| SPEC.             | 34F351W954G2 |  |  |  |  |      |      |  |     |                |    |   |
| HP                | .33          |  |  |  |  |      |      |  |     |                |    |   |
| VOLTS             | 115/230      |  |  |  |  |      |      |  |     |                |    |   |
| AMP               | 3.4/1.7      |  |  |  |  |      |      |  |     |                |    |   |
| RPM               | 1740         |  |  |  |  |      |      |  |     |                |    |   |
| FRAME             | 48           |  |  |  |  | HZ   | 60   |  |     | PH             | 1  |   |
| SER.F.            | 1.35         |  |  |  |  | CODE | K    |  | DES | N              | CL | F |
| F.L. AVG. EFF.    | 72.4         |  |  |  |  | PF   | 85   |  |     |                |    |   |
| RATING            | 40C AMB-CONT |  |  |  |  |      |      |  |     |                |    |   |
| CC                |              |  |  |  |  |      |      |  |     | USABLE AT 208V |    |   |
| DE                | 6203         |  |  |  |  | ODE  | 6203 |  |     |                |    |   |
| ENCL              | ODP          |  |  |  |  | SN   |      |  |     |                |    |   |
|                   | SFA 4.4/2.2  |  |  |  |  |      |      |  |     |                |    |   |

| Parts List    |  |          |
|---------------|--|----------|
| Part Number   | Description                              | Quantity |
| SA278050      | SA 34F351W954G2                          | 1.000 EA |
| RA264595      | RA 34F351W954G2                          | 1.000 EA |
| OC3016F12SP   | CYL OIL CAP 16MFD/370V                   | 1.000 EA |
| EC1145A02     | ELEC CAP 115V 1.4 X 3.3 X                | 1.000 EA |
| NS2512A01     | INSULATOR, CONDUIT BOX X                 | 1.000 EA |
| 34CB3002A     | CB CAST W/.88 DIA HOLE                   | 1.000 EA |
| 51XB1016A07   | 10-16 X 7/16 HXWSSLD SERTYB              | 2.000 EA |
| 11XW1032G06   | 10-32 X .38, TAPTITE II, HEX WSHR SLTD U | 1.000 EA |
| 51XW0832A07   | 8-32 X .44, TAPTITE II, HEX WSHR SLTD SE | 2.000 EA |
| SP1006A01     | TERM. BOARD, MODE 35 SW X H-23655        | 1.000 EA |
| 34EP3210A01SP | FR ENDPLATE, MACH                        | 1.000 EA |
| 34GS5003A01   | FOAM SLEEVE, ID = 2 1/16" X 4 3/8"       | 2.000 EA |
| 34CB3801      | CAPACITOR BOX, DIE CAST                  | 1.000 EA |
| 51XB1214A08   | 12-14 X 1/2HX WS SL SR TYBX              | 2.000 EA |
| HW5100A03SP   | WAVY WASHER (W1543-017)                  | 1.000 EA |
| 34EP3212A02   | PU ENDPLATE, MODEL 34 OPEN               | 1.000 EA |
| XY1032A02     | 10-32 HEX NUT DIRECTIONAL SERRATION      | 4.000 EA |
| 34CB4517      | CB LID 4 MTG HOLES .22 DIA STAMPED, FOR  | 1.000 EA |
| 51XW0832A07   | 8-32 X .44, TAPTITE II, HEX WSHR SLTD SE | 4.000 EA |
| MG1000G27     | MED CHARCOAL METALLIC GREY 400-0096      | 0.014 GA |
| 10XF0440S02   | 04-40 X 1/8 TYPE F HEX HD STAINLESS STIC | 2.000 EA |
| HA3100A44     | THRUBOLT 10-32 X 8.000                   | 4.000 EA |
| SP5056A18     | MODEL 34 TYPE LC STATIONARY SWITCH WITH  | 1.000 EA |
| MN416A01      | TAG-INSTAL-MAINT no wire (1000/bx) 11/14 | 1.000 EA |

| <b>Parts List (continued)</b> |  |                 |
|-------------------------------|--|-----------------|
| <b>Part Number</b>            | <b>Description</b>                       | <b>Quantity</b> |
| LC0001A01                     | CONN LABEL / WARNING LABEL (LC0001 / LB1 | 1.000 EA        |
| NP3155L                       | ALUM SUPER-E UL CSA CC "SEMS"            | 1.000 EA        |
| 35PA1000                      | PKG GRP, PRINT PK1008A06                 | 1.000 EA        |

**AC Induction Motor Performance Data**  
Record # 44912 - Typical performance - not guaranteed values

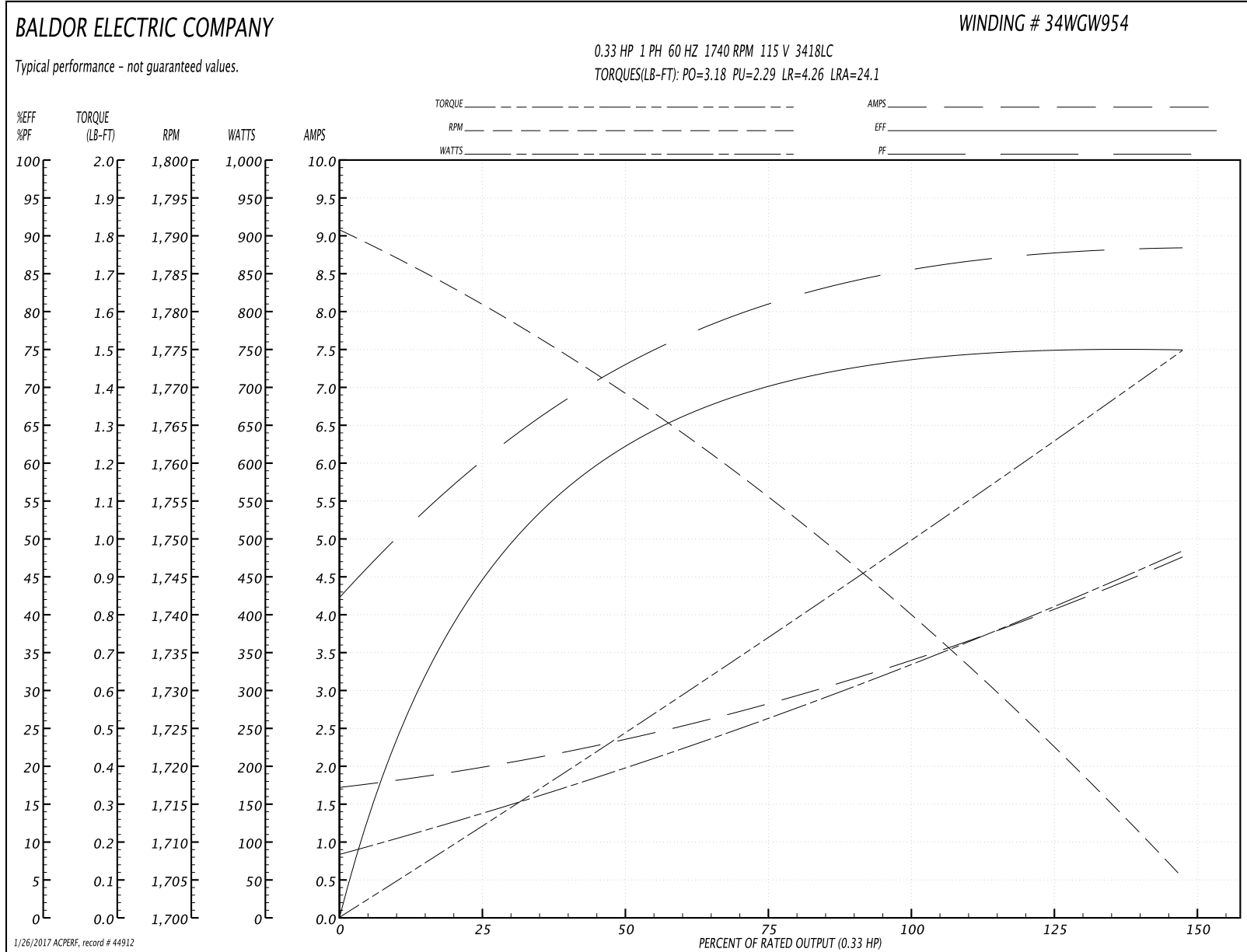
|                               |                     |                        |
|-------------------------------|---------------------|------------------------|
| <b>Winding:</b> 34WGW954-R003 | <b>Type:</b> 3418LC | <b>Enclosure:</b> OPEN |
|-------------------------------|---------------------|------------------------|

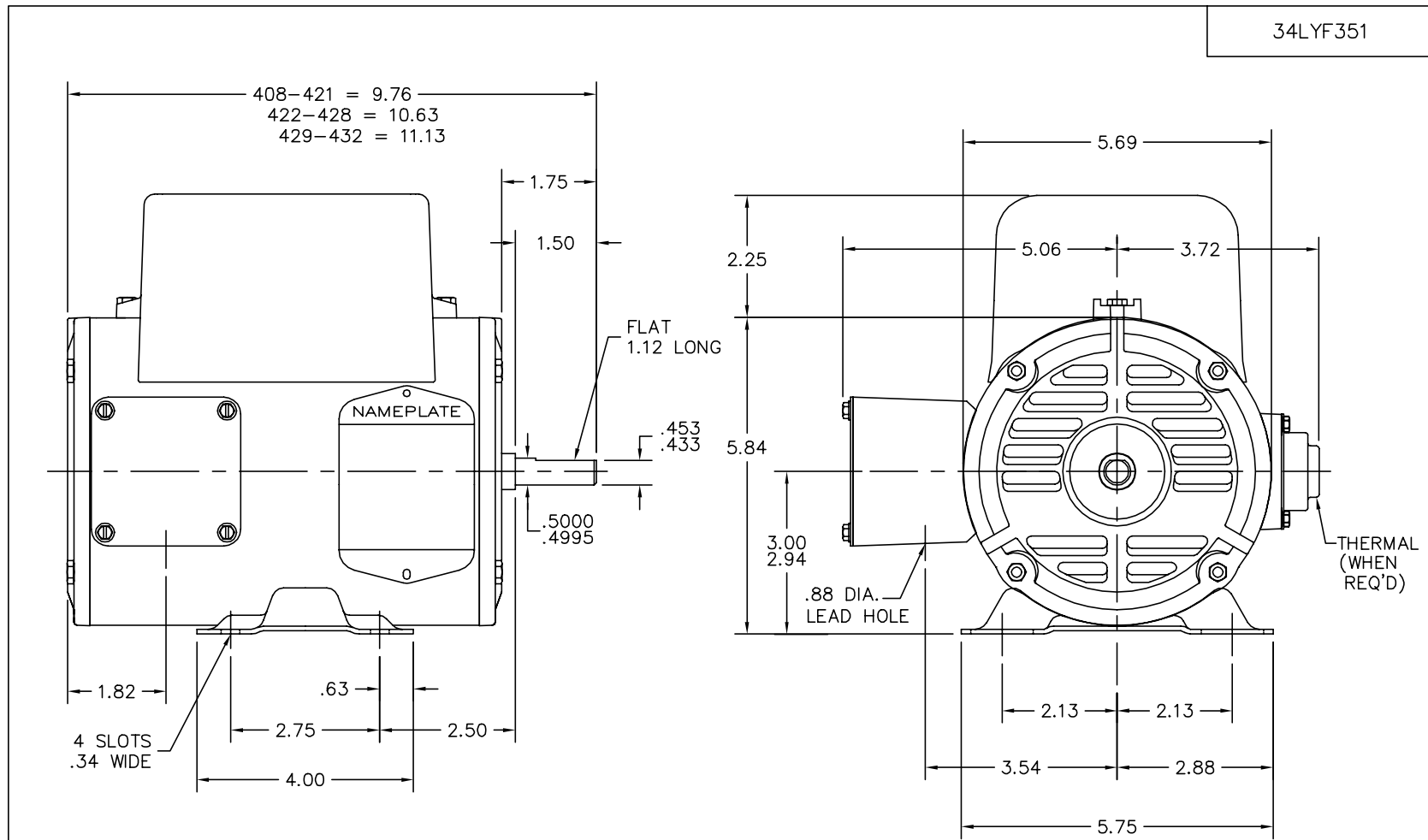
| Nameplate Data        |              |              |    | 115 V, 60 Hz:<br>Low Voltage Connection |                                |
|-----------------------|--------------|--------------|----|---|--------------------------------|
| Rated Output (HP)     | .33          |              |    | Full Load Torque                        | 0.996 LB-FT                    |
| Volts                 | 115/230      |              |    | Start Configuration                     | direct on line                 |
| Full Load Amps        | 3.4/1.7      |              |    | Breakdown Torque                        | 3.18 LB-FT                     |
| R.P.M.                | 1740         |              |    | Pull-up Torque                          | 2.29 LB-FT                     |
| Hz                    | 60           | Phase        | 1  | Locked-rotor Torque                     | 4.26 LB-FT                     |
| NEMA Design Code      | -            | KVA Code     | K  | Starting Current                        | 24.1 A                         |
| Service Factor (S.F.) | 1.35         |              |    | No-load Current                         | 1.69 A                         |
| NEMA Nom. Eff.        | 72.4         | Power Factor | 85 | Line-line Res. @ 25°C                   | 1.7428 Ω A Ph<br>5.5858 Ω B Ph |
| Rating - Duty         | 40C AMB-CONT |              |    | Temp. Rise @ Rated Load                 | 35°C                           |
| S.F. Amps             | 4.4/2.2      |              |    | Temp. Rise @ S.F. Load                  | 42°C                           |

Load Characteristics 115 V, 60 Hz, 0.33 HP

| % of Rated Load | 25     | 50   | 75     | 100    | 125    | 150    | S.F. |
|-----------------|--------|------|--------|--------|--------|--------|------|
| Power Factor    | 62     | 72   | 81     | 85     | 87     | 89     | 88   |
| Efficiency      | 32.1   | 64.5 | 69.3   | 73.5   | 76.7   | 73.7   | 75.5 |
| Speed           | 1780.3 | 1770 | 1754.7 | 1739.9 | 1725.3 | 1703.3 | 1716 |
| Line amperes    | 1.96   | 2.31 | 2.87   | 3.43   | 3.99   | 4.81   | 4.32 |

Performance Graph at 115V, 60Hz, 0.33HP Typical performance - Not guaranteed values





34LYF351

CUSTOMER IS RESPONSIBLE FOR DETERMINING THAT MOTOR PERFORMANCE IS SUITABLE IN THE APPLICATION.

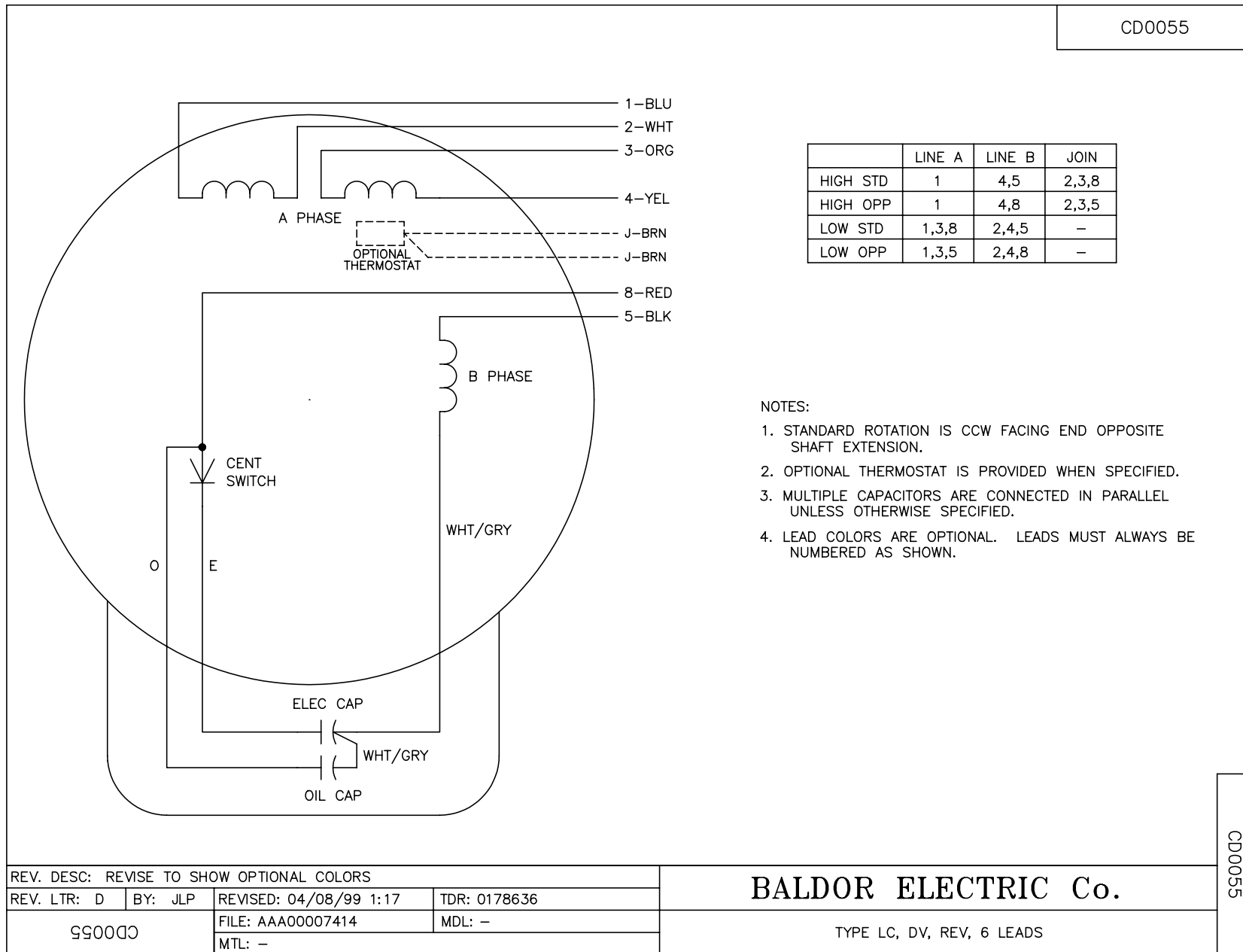
|   |                      |                              |
|---|----------------------|------------------------------|
| REV. DESC: DIM: KOBX LOC FROM ODE TO THE CENTERLINE OF KOBX |                      |                              |
| REV. LTR: C   | VERSION: 02          | TDR: 000000386903            |
| 34LYF351  | FILE: \AAA\00037\242 | REVISED: 11:20:24 01/26/2006 |
|   | MTL: -               | BY: ENMARW1                  |

**BALDOR ELECTRIC Co.**

STD HOR 34LC NEMA 48 OPEN

34LYF351

CD0055



|   |         |                        |              |
|---|---------|------------------------|--------------|
| REV. DESC: REVISE TO SHOW OPTIONAL COLORS |         |                        |              |
| REV. LTR: D                               | BY: JLP | REVISED: 04/08/99 1:17 | TDR: 0178636 |
| 990000                                    |         | FILE: AAA00007414      | MDL: -       |
|   |         | MTL: -                 |              |

**BALDOR ELECTRIC Co.**

TYPE LC, DV, REV, 6 LEADS

CD0055