

# **BALDOR**® • *RELIANCE*

## **Product Information Packet**

# **EL11313**

**1.5HP,3480RPM,1PH,60HZ,56H,3532LC,ODP,F1**

Part Detail							
Revision:	F	Status:	PRD/A	Change #:		Proprietary:	No
Type:	AC	Prod. Type:	3532LC	Elec. Spec:	35WGN673	CD Diagram:	CD0055
Enclosure:	ODP	Mfg Plant:		Mech. Spec:	35E007	Layout:	35LYE007
Frame:	56H	Mounting:	F1	Poles:	02	Created Date:	03-11-2014
Base:	RG	Rotation:	R	Insulation:	F	Eff. Date:	09-13-2016
Leads:	6#16					Replaced By:	
Literature:		Elec. Diagram:					

Nameplate NP3155L										
CAT.NO.	EL11313									
SPEC.	35E007N673G1									
HP	1.5									
VOLTS	115/230									
AMP	11.8/5.9									
RPM	3480									
FRAME	56H				HZ	60			PH	1
SER.F.	1.15		CODE	G	DES	L		CL	F	
F.L. AVG. EFF.	82		PF	99						
RATING	40C AMB-CONT									
CC									USABLE AT 208V	
DE	6205				ODE	6203				
ENCL	ODP		SN							

Parts List		
Part Number	Description	Quantity
SA277858	SA 35E007N673G1	1.000 EA
RA264406	RA 35E007N673G1	1.000 EA
OC3070C09	AEROVOX #Z24P247OM22A1 OIL CAP 70MFD/240	1.000 EA
EC1645B06	ELEC CAP 165V 2.0 X 4.3	1.000 EA
WD3006A01	RSS-2-103JT 2W 10K RES. METAL OXIDE 5%	1.000 EA
NS2512A01	INSULATOR, CONDUIT BOX X	1.000 EA
35CB3007	35 CB CASTING W/.88 DIA. LEAD HOLE	1.000 EA
51XB1016A07	10-16 X 7/16 HXWSSLD SERTYB	2.000 EA
11XW1032G06	10-32 X .38, TAPTITE II, HEX WSHR SLTD U	1.000 EA
35EP3201A03	STD FR EP OPEN-203BRG-35L OR M FRAME--LE	1.000 EA
51XW0832A07	8-32 X .44, TAPTITE II, HEX WSHR SLTD SE	2.000 EA
NS2501A02	INSULATOR, CAPACITOR BOX	1.000 EA
35CB3801	CAPACITOR COVER, CAST	1.000 EA
HA7010	CAPACITOR RETENTION CLAMP	1.000 EA
51XB1016A08	10-16X 1/2HXWSSLD SERTYB	2.000 EA
HW5100A03SP	WAVY WASHER (W1543-017)	1.000 EA
35EP3200A02	PUEP OPEN 205 BRG	1.000 EA
XY1032A02	10-32 HEX NUT DIRECTIONAL SERRATION	4.000 EA
35CB4521	35 LIPPED CB LID (GALV & PHOSPH)	1.000 EA
51XW0832A07	8-32 X .44, TAPTITE II, HEX WSHR SLTD SE	4.000 EA
HW2501D13	KEY, 3/16 SQ X 1.375	1.000 EA
HA7000A04	KEY RETAINER 0.625 DIA SHAFTS	1.000 EA
85XU0407S04	4X1/4 U DRIVE PIN STAINLESS	2.000 EA
MJ1000A02	GREASE, POLYREX EM EXXON (USe 4824-15A)	0.050 LB

<b>Parts List (continued)</b>		
<b>Part Number</b>	<b>Description</b>	<b>Quantity</b>
MG1000Y03	MUNSELL 2.53Y 6.70/ 4.60, GLOSS 20,	0.017 GA
HA3100A22	THRUBOLT 10-32 X 10.125	4.000 EA
34GS5003	FOAM SLEEVE, ID = 2 1/16" X 3 3/8"	1.000 EA
WD1000A15	3-520132-2 AMP FLAG (4M/RL NON-CANC/NON-	4.000 EA
SP5181A01	MODEL 35 LC TORQ STAT SWITCH LEAD ASSY	1.000 EA
MN416A01	TAG-INSTAL-MAINT no wire (1000/bx) 11/14	1.000 EA
LC0001A01	CONN LABEL / WARNING LABEL (LC0001 / LB1	1.000 EA
NP3155L	ALUM SUPER-E UL CSA CC "SEMS"	1.000 EA
36PA1000	PKG GRP, PRINT PK1016A06	1.000 EA

**AC Induction Motor Performance Data**  
Record # 44957 - Typical performance - not guaranteed values

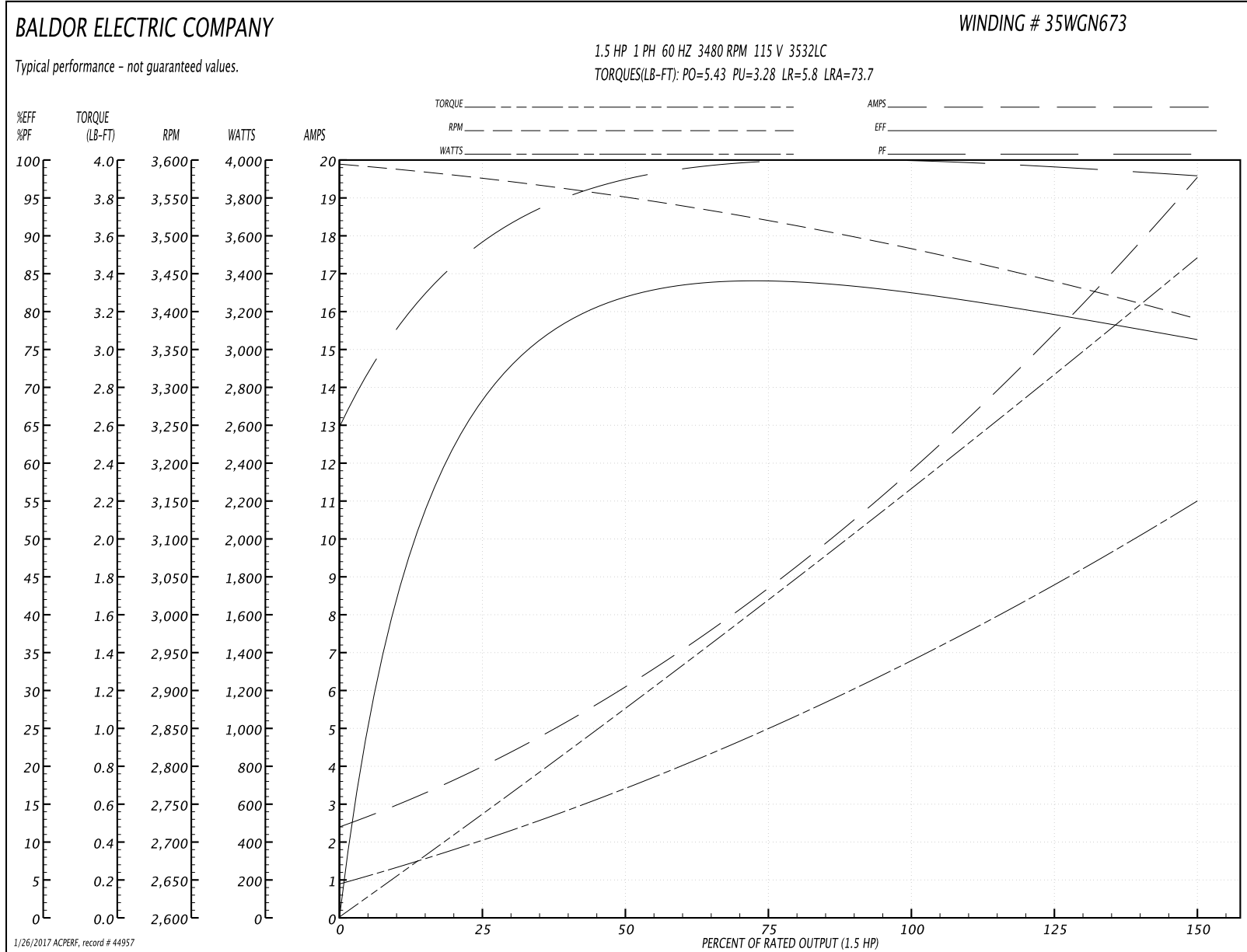
<b>Winding:</b> 35WGN673-R002	<b>Type:</b> 3532LC	<b>Enclosure:</b> OPEN
-------------------------------	---------------------	------------------------

Nameplate Data				115 V, 60 Hz: Single Voltage Motor	
Rated Output (HP)	1.5			Full Load Torque	2.26 LB-FT
Volts	115/230			Start Configuration	direct on line
Full Load Amps	11.8/5.9			Breakdown Torque	5.43 LB-FT
R.P.M.	3480			Pull-up Torque	3.28 LB-FT
Hz	60	Phase	1	Locked-rotor Torque	5.8 LB-FT
NEMA Design Code	L	KVA Code	G	Starting Current	73.7 A
Service Factor (S.F.)	1.15			No-load Current	2.44 A
NEMA Nom. Eff.	82	Power Factor	99	Line-line Res. @ 25°C	0.43089 Ω A Ph 0.72107 Ω B Ph
Rating - Duty	40C AMB-CONT			Temp. Rise @ Rated Load	17°C
S.F. Amps				Temp. Rise @ S.F. Load	22°C

Load Characteristics 115 V, 60 Hz, 1.5 HP

% of Rated Load	25	50	75	100	125	150	S.F.
Power Factor	89	98	99	100	99	98	99
Efficiency	70.1	80.9	83.3	82.9	80.3	76	81.3
Speed	3573.6	3549.3	3520	3484.9	3443.3	3387.4	3460
Line amperes	3.88	6.09	8.8	11.8	15.3	19.6	13.9

Performance Graph at 115V, 60Hz, 1.5HP Typical performance - Not guaranteed values



**AC Induction Motor Performance Data**

Record # 49835 - Typical performance - not guaranteed values

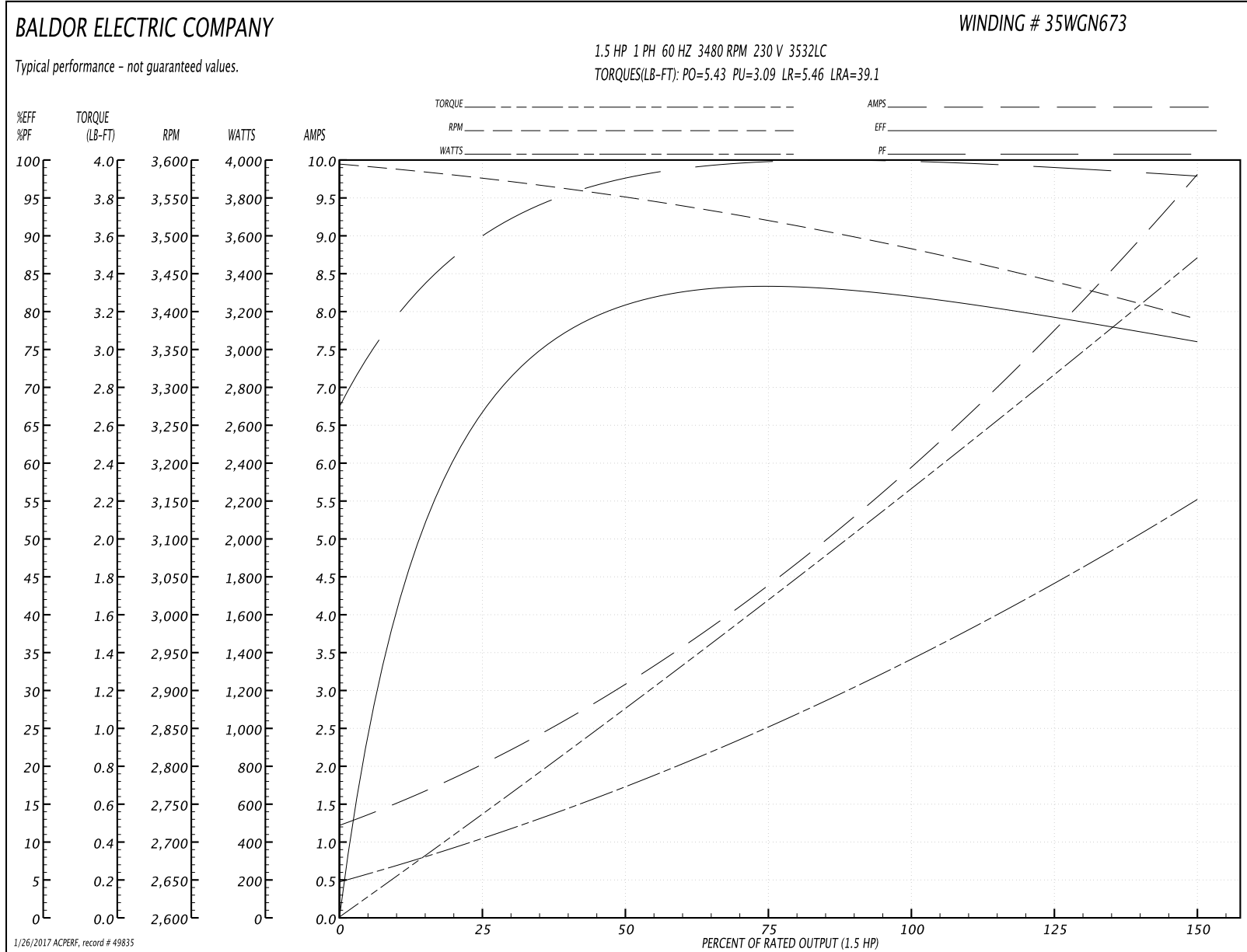
<b>Winding:</b> 35WGN673-R002	<b>Type:</b> 3532LC	<b>Enclosure:</b> OPEN
-------------------------------	---------------------	------------------------

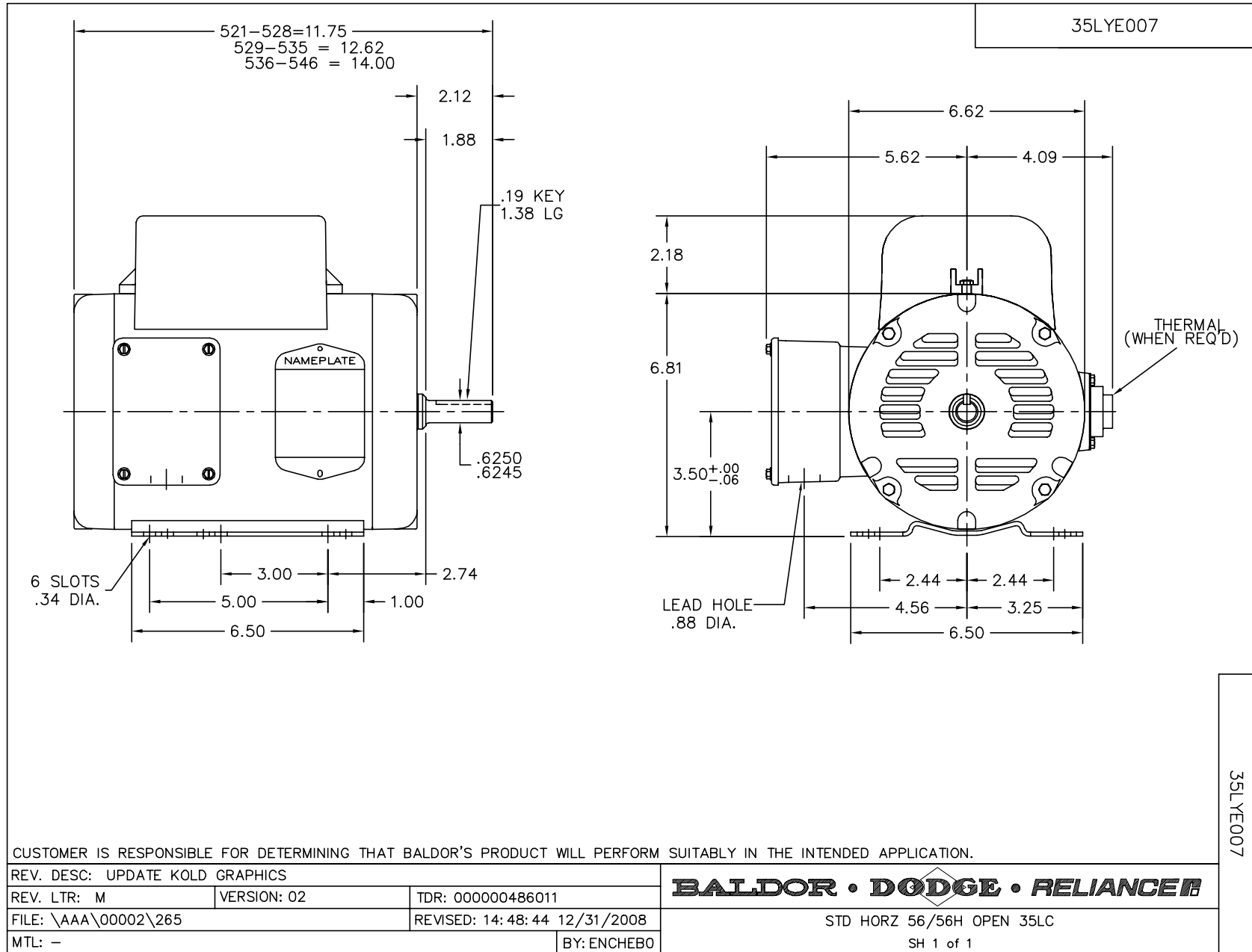
Nameplate Data				230 V, 60 Hz: High Voltage Connection	
Rated Output (HP)	1.5			Full Load Torque	2.26 LB-FT
Volts	115/230			Start Configuration	direct on line
Full Load Amps	11.8/5.9			Breakdown Torque	5.43 LB-FT
R.P.M.	3480			Pull-up Torque	3.09 LB-FT
Hz	60	Phase	1	Locked-rotor Torque	5.46 LB-FT
NEMA Design Code	L	KVA Code	G	Starting Current	39.1 A
Service Factor (S.F.)	1.15			No-load Current	1.24 A
NEMA Nom. Eff.	82	Power Factor	99	Line-line Res. @ 25°C	0.408 Ω A Ph 0.679 Ω B Ph
Rating - Duty	40C AMB-CONT			Temp. Rise @ Rated Load	18°C
S.F. Amps				Temp. Rise @ S.F. Load	22°C
				Locked-rotor Power Factor	95.4
				Rotor inertia	0.0688 LB-FT <sup>2</sup>

Load Characteristics 230 V, 60 Hz, 1.5 HP

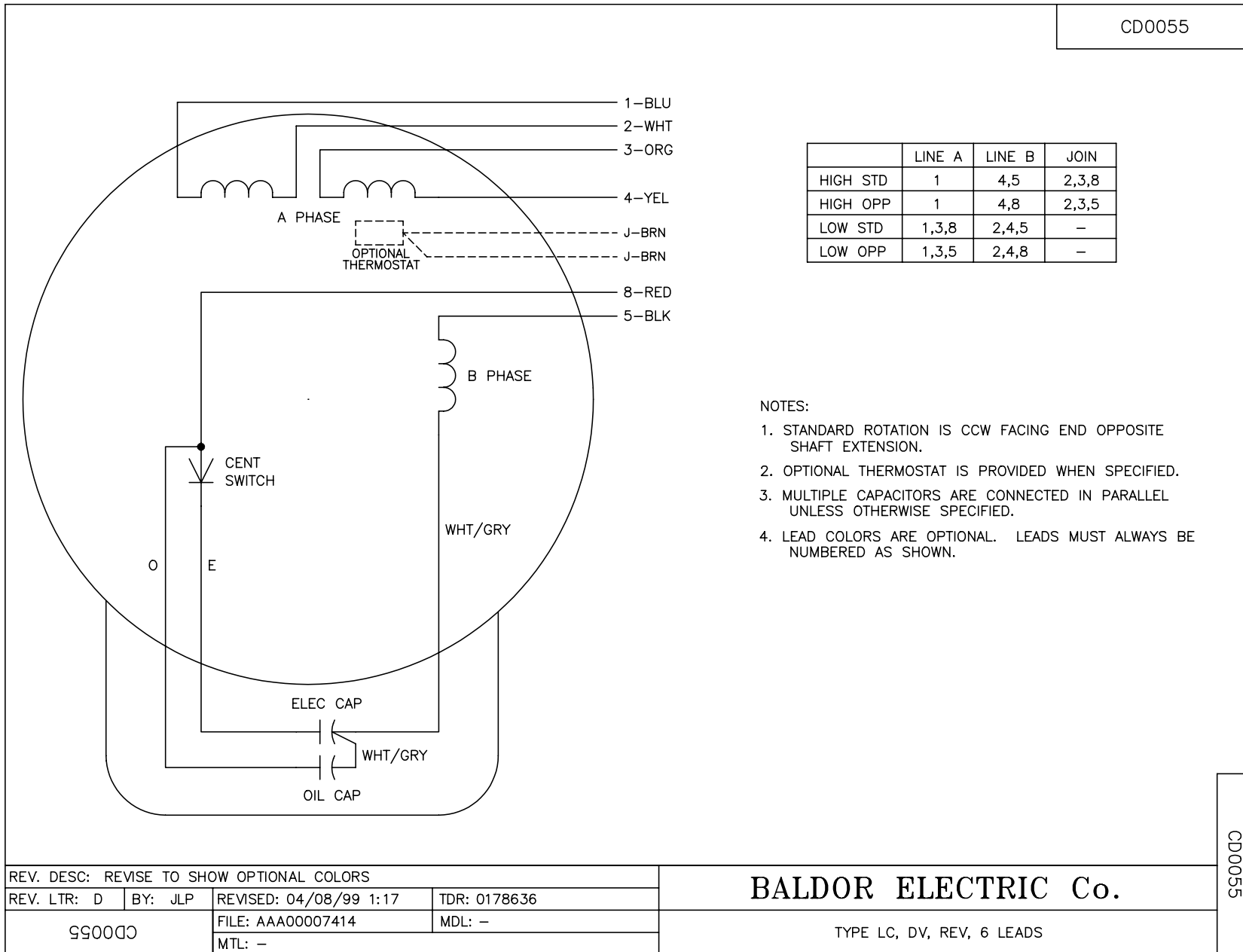
% of Rated Load	25	50	75	100	125	150	S.F.
Power Factor	90	98	100	99	99	98	99
Efficiency	68.6	79.6	82.5	82.4	80	75.7	81
Speed	3574	3549	3520	3485	3443	3387	3460
Line amperes	1.97	3.08	4.44	5.94	7.69	9.84	6.99

Performance Graph at 230V, 60Hz, 1.5HP Typical performance - Not guaranteed values





CD0055



REV. DESC: REVISE TO SHOW OPTIONAL COLORS			
REV. LTR: D	BY: JLP	REVISED: 04/08/99 1:17	TDR: 0178636
99000		FILE: AAA00007414	MDL: -
CD0055		MTL: -	

**BALDOR ELECTRIC Co.**

TYPE LC, DV, REV, 6 LEADS

CD0055