

BALDOR® • ***RELIANCE***

Product Information Packet

EM251352T-4

350HP,3560RPM,3PH,60HZ,447TSS,A44084M,DP

Part Detail							
Revision:	D	Status:	PRD/A	Change #:		Proprietary:	No
Type:	AC	Prod. Type:	A44084M	Elec. Spec:	A44WG2772	CD Diagram:	416820-008
Enclosure:	DP	Mfg Plant:		Mech. Spec:		Layout:	604989-483
Frame:	447TSS/T	Mounting:	F1	Poles:	02	Created Date:	02-12-2015
Base:		Rotation:	R	Insulation:	B	Eff. Date:	03-17-2016
Leads:	6#2 (02 per group)					Replaced By:	
Literature:		Elec. Diagram:					

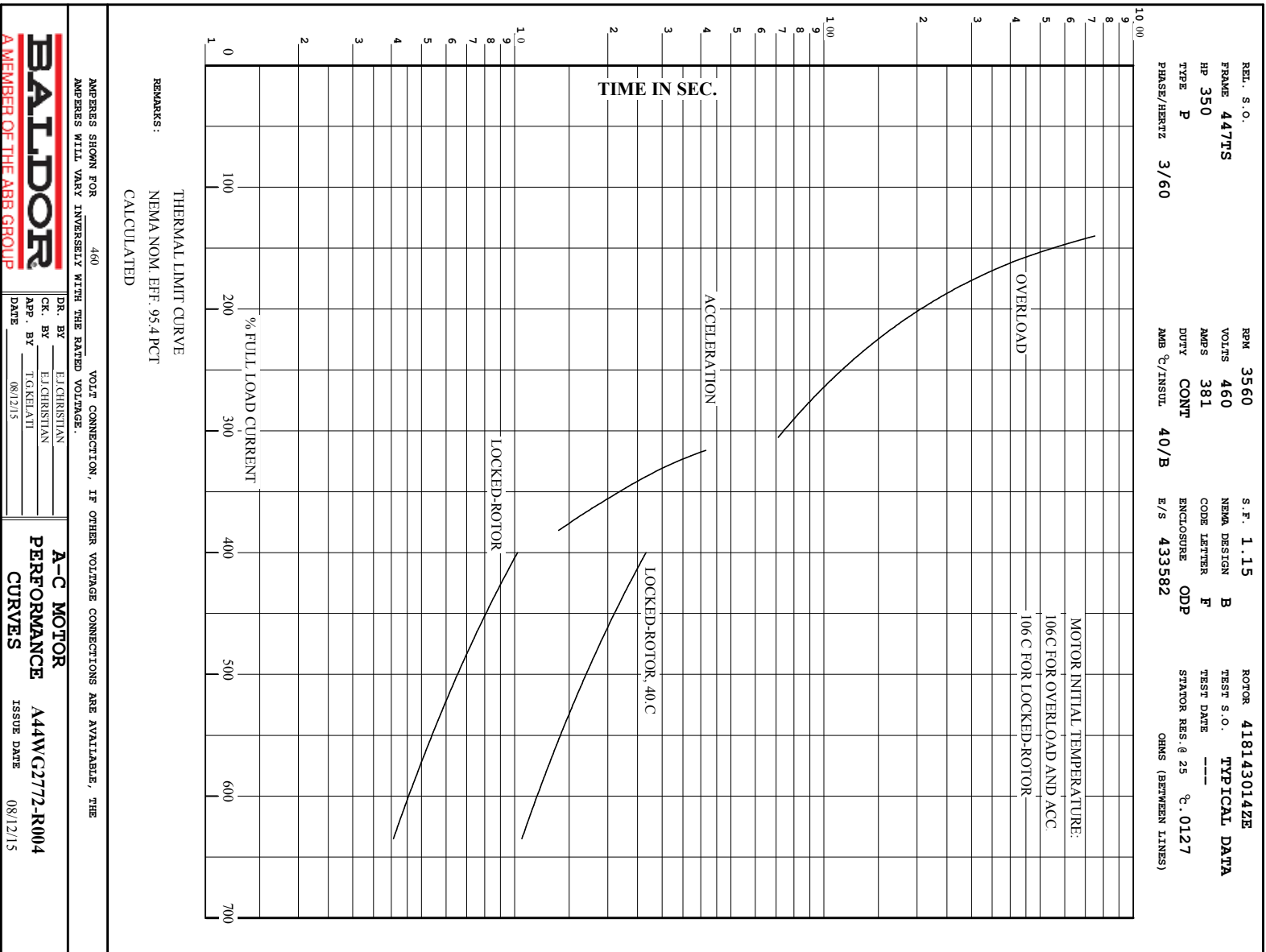
Nameplate NP2496L	
MOBIL POLYREX EM	

Nameplate NP2349L										
SPEC NO.	A44-6795-2772			CAT.NO.	EM251352T-4			FRAME	447TSS/TS	
HP	350	VOLTS	460	PHASE	3	DESIGN	B	TYPE	P	
RPM	3560	AMPS	381	HZ	60	AMB	40	SF	1.15	
DRIVE END BEARING	65BC03J30X		DUTY	CONT	INSUL.CLASS		F			
OPP D.E. BEARING	65BC03J30X		ENCL	DP	CODE	F				
SER.NO.				POWER FACTOR	90	NEMA-NOM-EFFICIENCY	95.4			
						MAX CORR KVAR	45	GUARANTEED EFFICIENCY	94.5	
						NEMA NOM/CSA QUOTED EFF				
						MOTOR WEIGHT	1899			

Parts List		
Part Number	Description	Quantity
SA293704	SA A44-6795-2772	1.000 EA
RA279796	RA A44-6795-2772	1.000 EA
421948044	LABEL, MYLAR	1.000 EA
NP2496L	MOTOR LUBE NAMEPLATE	1.000 EA
000613006PU	N/P (RELEASE QTY 10,000) UL CSA LABLE	1.000 EA
000692000FF	N/P	1.000 EA
000692000VD	LABEL WARNING	1.000 EA
NP2349L	SUPER-E ,SS, CSA, CSA SUPER-E	1.000 EA
702611001A	BAFFL 440 SUB PAINT	1.000 EA
089438082A	BRKT 440 089438081WCB	1.000 EA
004824015A	GREASE POLYREX EM	0.540 LB
032018028EK	HHCS 5/8-11X3-1/2L PLTD	4.000 EA
032018028CK	HHCS 3/8-16X3-1/2 PLTD.	3.000 EA
410700004F	WSHR	1.000 EA
034017012AB	LCKW 1/4 STD. PLATED	4.000 EA
405851012AC	SPACE	4.000 EA
032018012AK	HHCS 1/4-20X1-1/2 PLTD.	4.000 EA
034690002AB	"unbulked" PPLG 1/4" PLTD.	1.000 EA
034690002AB	"unbulked" PPLG 1/4" PLTD.	1.000 EA
034000012AB	WSHR 1/4 STD. PLATED	4.000 EA
035000001A	ALFTG 1/8" 1610-BL	1.000 EA
035000001A	ALFTG 1/8" 1610-BL	1.000 EA
405851012AC	SPACE	4.000 EA
047174001Z	EXT SNAP RING	1.000 EA

Parts List (continued)		
Part Number	Description	Quantity
034017012AB	LCKW 1/4 STD. PLATED	4.000 EA
034000012AB	WSHR 1/4 STD. PLATED	4.000 EA
032018012AK	HHCS 1/4-20X1-1/2 PLTD.	4.000 EA
089438082A	BRKT 440 089438081WCB	1.000 EA
702611001A	BAFFL 440 SUB PAINT	1.000 EA
032018028EK	HHCS 5/8-11X3-1/2L PLTD	4.000 EA
032018028CK	HHCS 3/8-16X3-1/2 PLTD.	3.000 EA
702658001B	+C/BOX, PAINTED 440	1.000 EA
702658002A	+C/BOX CVR, PAINTED 440	1.000 EA
406056008A	GASKET, TERBD 440	1.000 EA
418153001A	GASK 440	1.000 EA
032018008DK	HHCS 1/2-13X1 PLATED	4.000 EA
415000103D	T/LUG #4AWG-1/0AWG W/HOLE FOR .250 BOLT	1.000 EA
033512006LB	HHTTS 1/4-20X3/4 PLTD.	8.000 EA
033512004LB	HHTTS 1/4-20X1/2 PLTD.	1.000 EA
MG1025Y03	WILKOFAS, 789.701, SUPER E PEARL GOLD	2.000 QT
033775004EA	DRSCR #6-1/4 304 S.S.	2.000 EA
034180024HA	KEY 5/8X5/8X3 L	1.000 EA
604797056	400-447 FRAME 60 X 42	1.000 EA
032510026D	CARRIAGE BOLT - 440	2.000 EA
034001016AB	WSHR .562ID 1.375OD .109	2.000 EA
034001014AB	FLAT WASHER 3/8"PLATED	2.000 EA
033300014AC	HEX NUT, SHIPPING - 400	2.000 EA
604797003C	SHIPPING BAG	1.000 EA

048897010DG	PLUG,ODE BRKT - 360	1.000 EA
-------------	---------------------	----------




REL. S.O.	FRAME	HP	TYPE	PHASE/HERTZ	RPM	VOLTS
	447TS	350	P	3/60	3560	460
AMPS	DUTY	AMB °C/INSUL.	S.F.	NEMA DESIGN	CODE LETTER	ENCL.
381	CONT	40/B	1.15	B	F	ODP
E/S	ROTOR	TEST S.O.	TEST DATE	STATOR RES. @25 °C (OHMS BETWEEN LINES)		
433582	418143014ZE	---	---	.0127		

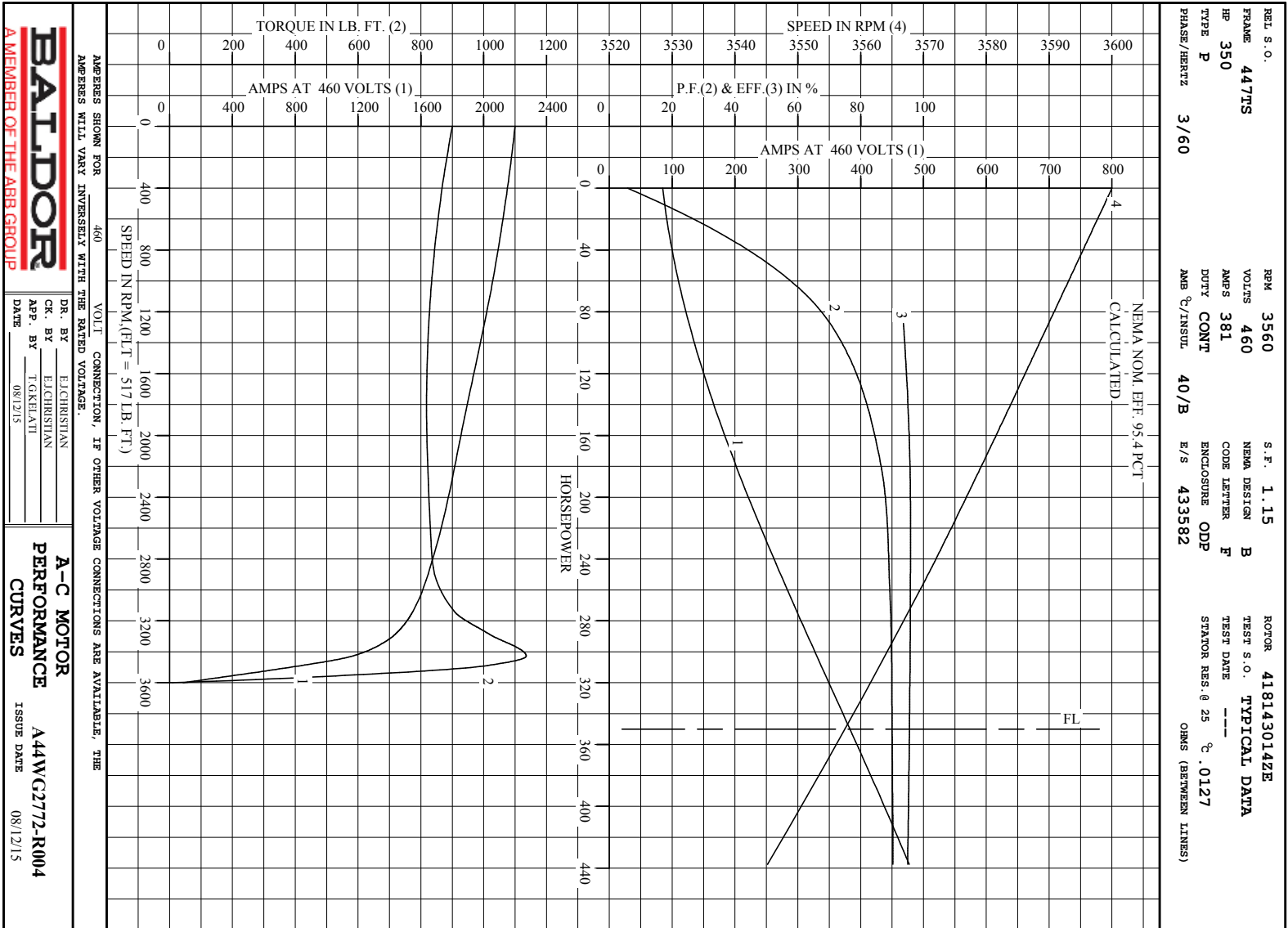
PERFORMANCE

LOAD	HP	AMPERES	RPM	POWER FACTOR %	EFFICIENCY %
NO LOAD	0	85.7	3600	5.80	0
1/4	87.6	125	3590	70.3	93.6
2/4	175	199	3580	86.1	95.6
3/4	262	287	3569	89.3	95.8
4/4	350	381	3558	90.0	95.5
5/4	438	478	3545	90.3	95.0
SPEED TORQUE					
		RPM	TORQUE % FULL LOAD	TORQUE LB.-FT.	AMPERES
LOCKED ROTOR		0	174	900	2200
PULL UP		1800	158	818	1895
BREAKDOWN		3428	220	1136	1164
FULL LOAD		3558	100	517	381

AMPERES SHOWN FOR 460. VOLT CONNECTION. IF OTHER VOLTAGE CONNECTIONS ARE AVAILABLE, THE AMPERES WILL VARY INVERSELY WITH THE RATED VOLTAGE

REMARKS: TYPICAL DATA
NEMA NOM. EFF. 95.4 PCT
CALCULATED

 <p>A MEMBER OF THE ABB GROUP</p>	DR. BY	E. J. CHRISTIAN	<p>A-C MOTOR A44WG2772-R004</p> <p>ISSUE DATE 08/12/15</p>
	CR. BY	E. J. CHRISTIAN	
	APP. BY	T. G. KRAMER	
	DATE	08/12/15	



BALDOR
A MEMBER OF THE ABB GROUP

DR. BY E. CHRISTIAN
CK. BY T. GRIEGLI
APP. BY
DATE 08/12/15

A-C MOTOR
PERFORMANCE A44WC2772-R004
CURVES ISSUE DATE 08/12/15

Printed on 8/12/15 12:28 @ bengap01.baldor.com

DUTY MASTER ALTERNATING CURRENT MOTORS

604989-483

ENCLOSURE: TOTALLY ENCLOSED

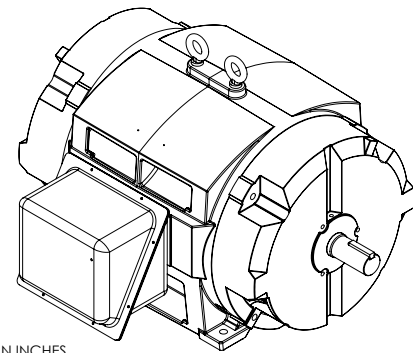
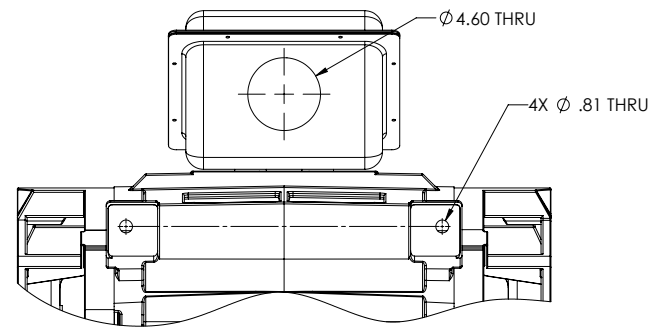
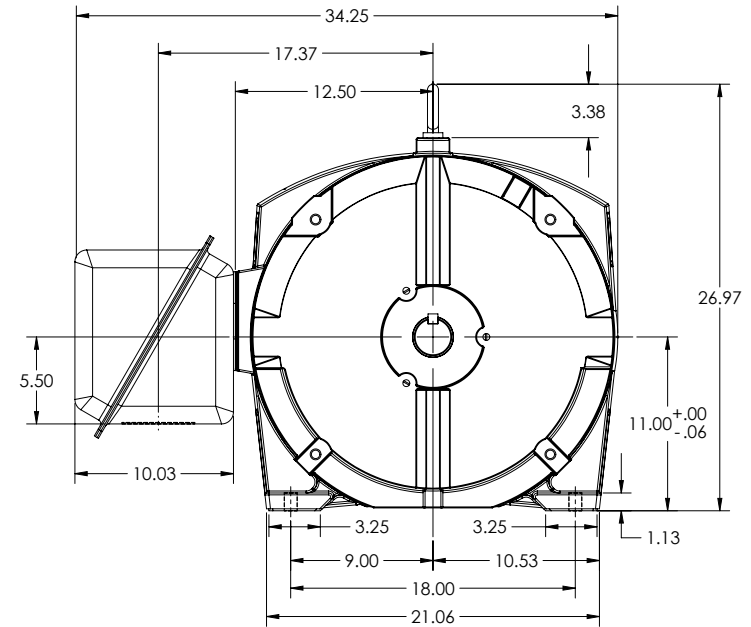
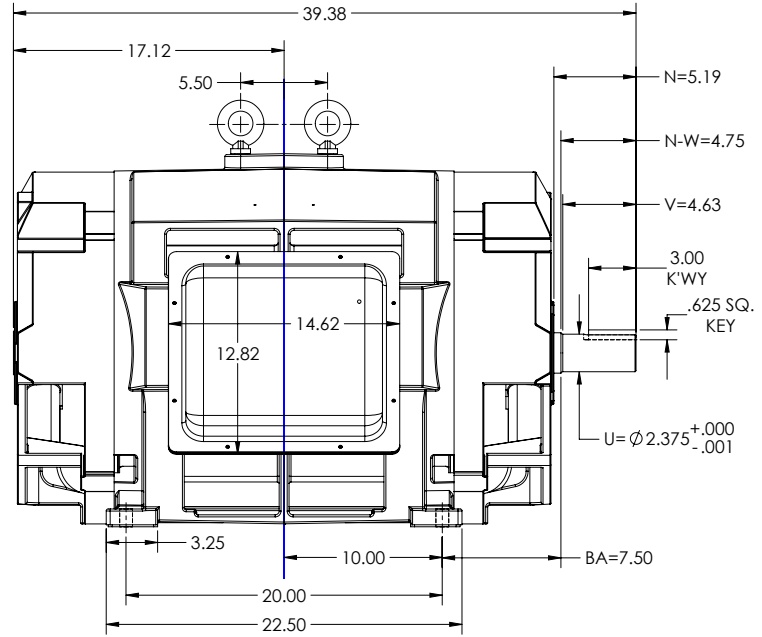
SQUIRREL-CAGE INDUCTION

COOLING: OPEN DRIP-PROOF

MOUNTING: FOOT, F-1

FRAME E447TS

STEEL CONDUIT BOX



SHEET NUMBER
1 OF 1

CONDUIT BOX LOCATED ON OPPOSITE SIDE WHEN F-2.
IF MOUNTING CLEARANCE DETAILS ARE REQUIRED, CONSULT FACTORY.
MAXIMUM PERMISSIBLE SHAFT RUNOUT WHEN MEASURED AT END OF
STANDARD SHAFT EXTENSION IS .003" T.I.R.

DIMENSIONS ARE IN INCHES

CUSTOMER IS RESPONSIBLE FOR DETERMINING THAT MOTOR PERFORMANCE IS SUITABLE IN THE APPLICATION.

REV. A	VERSION: 01	REVISED-01-57-27 03/02/2016	TDR: 00000968603
MODEL NO. 604989-483			
BY: RAGRA			

BALDOR

E447TS ODP FOOT - F1 - STEEL CONDUIT BOX

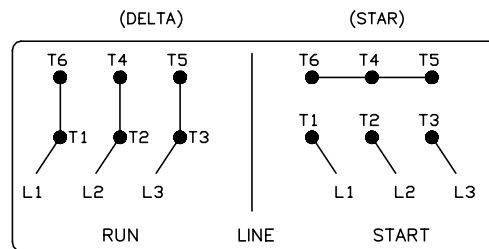
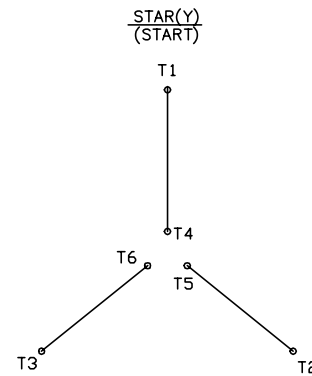
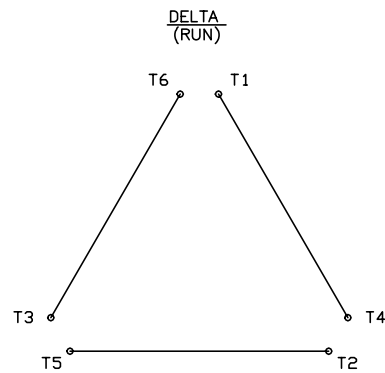
604989-483

416820-008

A-C MOTOR CONNECTION DIAGRAM

STANDARD 6 LEAD

Y START - DELTA RUN



< N. P. 1767-DC >

416820-008

REV. DESC: ADDED T4 TO Y CONNECT DIAGRAM		
REV. LTR: D	VERSION: 04	TDR: 000000847713
FILE: \RAG\00001\808	REVISED: 10: 41: 26 04/08/2014	BY: RAGJSS1
MTL: -		



CONNECT DIAGRAM STD 6 LEAD Y START DELTA RUN

SH 1 of 1

Marketing maintained PDF of MN408:

<http://www.baldor.com/support/Literature/Load.ashx/MN408?ManNumber=MN408>

Marketing maintained PDF of MN416:

<http://www.baldor.com/support/Literature/Load.ashx/MN416?ManNumber=MN416>