

BALDOR® • *RELIANCE*

Product Information Packet

EM2513T-8

15HP,1765RPM,3PH,60HZ,254T,3938M,OPSB,F1

Part Detail							
Revision:	AH	Status:	PRD/A	Change #:		Proprietary:	No
Type:	AC	Prod. Type:	3938M	Elec. Spec:	39WGW947	CD Diagram:	CD0006
Enclosure:	OPSB	Mfg Plant:		Mech. Spec:	39K57	Layout:	39LYK057
Frame:	254T	Mounting:	F1	Poles:	04	Created Date:	
Base:	RG	Rotation:	R	Insulation:	F	Eff. Date:	11-09-2016
Leads:	3#8					Replaced By:	
Literature:		Elec. Diagram:					

Nameplate NP3553L										
CAT.NO.	EM2513T-8									
SPEC.	39K057W947									
HP	15									
VOLTS	200									
AMP	40.7									
RPM	1765									
FRAME	254T				HZ	60			PH	3
SER.F.	1.15		CODE	H	DES	A		CL	F	
NEMA-NOM-EFF	93		PF	85						
RATING	40C AMB-CONT									
CC	010A				USABLE AT 208V			40.5		
DE	6309				ODE	6208				
ENCL	OPSB		SN							
VPWM INVERTER READY										
CT30-60(2:1) VT3-60(20:1)										

Parts List		
Part Number	Description	Quantity
SA039288	SA 39K057W947	1.000 EA
RA035254	RA 39K057W947	1.000 EA
S/P107-000-005	SUPER-E PROC'S(254/6 FR.) ZK PLANT - POL	1.000 EA
HA6361A01	LIFTING LUG FOR 37, 39 & 40 FRAME ZINC	2.000 EA
HA6016	ADAPTER, CAST CONDUIT BOX	1.000 EA
09CB3002	CB W/1.38 LEAD HOLE FOR 37, 39, 307 & 30	1.000 EA
51XW2520A12	.25-20 X .75, TAPTITE II, HEX WSHR SLTD	2.000 EA
HW1001A25	LOCKWASHER 1/4, ZINC PLT .493 OD, .255 I	2.000 EA
WD1000B17	T&B CX35TN TERMINAL	1.000 EA
51XW1032A06	10-32 X .38, TAPTITE II, HEX WSHR SLTD S	1.000 EA
39EP3200A01SP	FR/PU ENDPLATE, MACH	1.000 EA
HW5100A08	W3118-035 WVY WSHR (WB)	1.000 EA
39EP3201A13	PU ENDPLATE, MACH	1.000 EA
XY3816A12	3/8-16 FINISHED NUT	8.000 EA
09CB3501	CONDUIT BOX LID FOR 09CB3001 & 09CB3002	1.000 EA
51XW2520A12	.25-20 X .75, TAPTITE II, HEX WSHR SLTD	2.000 EA
HW2501G25	KEY, 3/8 SQ X 2.875	1.000 EA
LB1115N	LABEL,LIFTING DEVICE (ON ROLLS)	1.000 EA
MN416A01	TAG-INSTAL-MAINT no wire (1000/bx) 11/14	1.000 EA
HA4051A00	PLASTIC CAP FOR GREASE FITTING	1.000 EA
HW4500A03	GREASE FITTING, .125 NPT 1610(ALEMITE) 8	1.000 EA
HW4500A20	1/8NPT SL PIPE PLUG	1.000 EA
MJ1000A02	GREASE, POLYREX EM EXXON (USe 4824-15A)	0.030 LB
HA4051A00	PLASTIC CAP FOR GREASE FITTING	1.000 EA

Parts List (continued)		
Part Number	Description	Quantity
HW4500A03	GREASE FITTING, .125 NPT 1610(ALEMITE) 8	1.000 EA
HW4500A20	1/8NPT SL PIPE PLUG	1.000 EA
MG1000Y03	MUNSELL 2.53Y 6.70/ 4.60, GLOSS 20,	0.050 GA
85XU0407S04	4X1/4 U DRIVE PIN STAINLESS	2.000 EA
39AD2002A01	BAFFLE PLATE 39 OPEN, SLOTTED BAND MTRS	1.000 EA
39AD2002A01	BAFFLE PLATE 39 OPEN, SLOTTED BAND MTRS	1.000 EA
HA3154A09	TB STUD 3/8-16 X 16.25	4.000 EA
LB1119N	WARNING LABEL	1.000 EA
LC0006	CONNECTION LABEL	1.000 EA
NP3553L	ALUM SUPER-E VPWM INVERTER READY UL	1.000 EA
39PA1000	PACKAGING GROUP 39 PRINT	1.000 EA

Accessories		
Part Number	Description	Multiplier
39-3400	C FACE KIT	A8

AC Induction Motor Performance Data

Record # 13005 - Typical performance - not guaranteed values

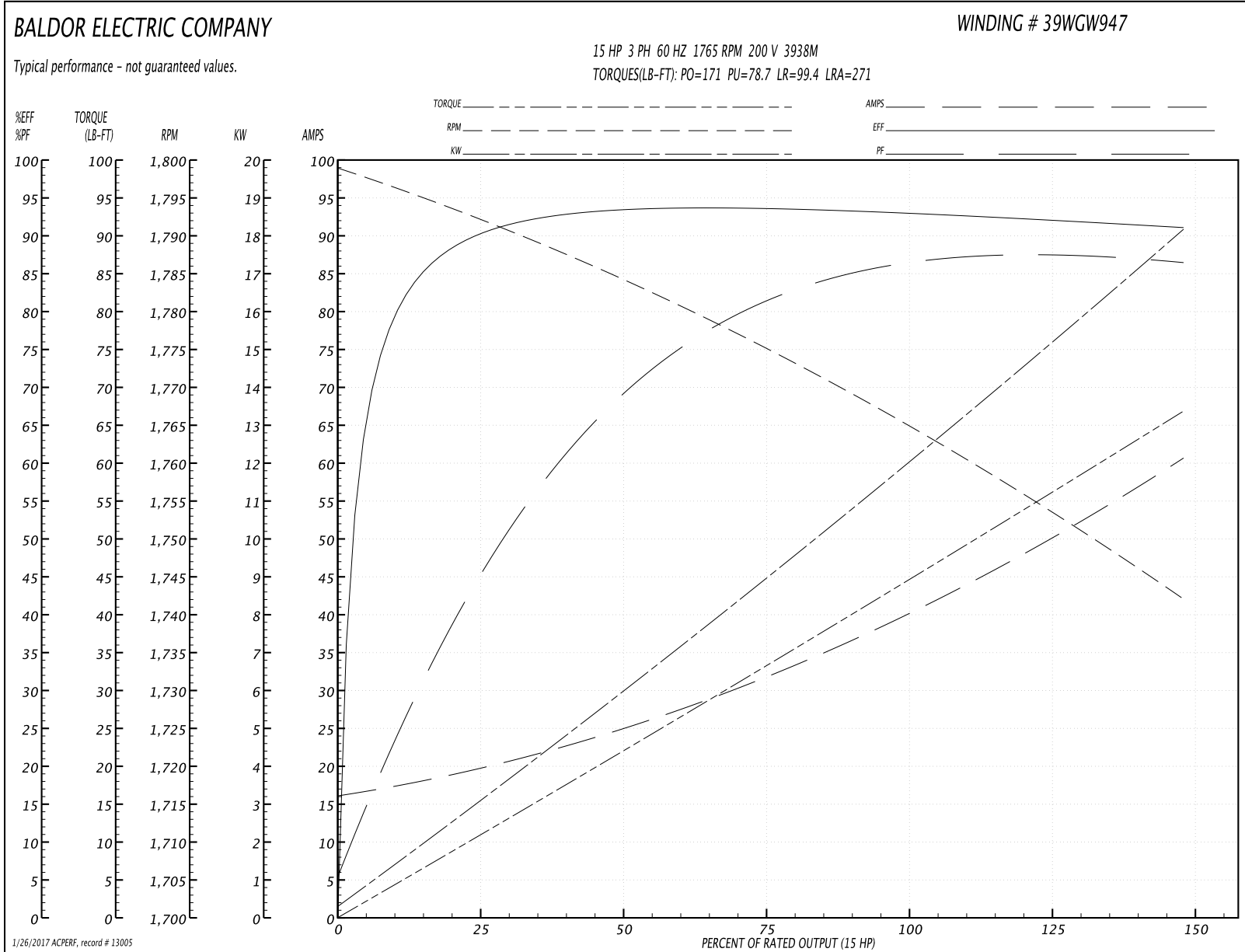
Winding: 39WGW947-R001	Type: 3938M	Enclosure: OPSB
-------------------------------	--------------------	------------------------

Nameplate Data				200 V, 60 Hz: Single Voltage Motor	
Rated Output (HP)	15			Full Load Torque	44.6 LB-FT
Volts	200			Start Configuration	direct on line
Full Load Amps	40.7			Breakdown Torque	171 LB-FT
R.P.M.	1765			Pull-up Torque	78.7 LB-FT
Hz	60	Phase	3	Locked-rotor Torque	99.4 LB-FT
NEMA Design Code	A	KVA Code	H	Starting Current	271 A
Service Factor (S.F.)	1.15			No-load Current	16.7 A
NEMA Nom. Eff.	93	Power Factor	85	Line-line Res. @ 25°C	0.116 Ω
Rating - Duty	40C AMB-CONT			Temp. Rise @ Rated Load	22°C
S.F. Amps				Temp. Rise @ S.F. Load	29°C
				Locked-rotor Power Factor	34.9
				Rotor inertia	1.66 LB-FT ²

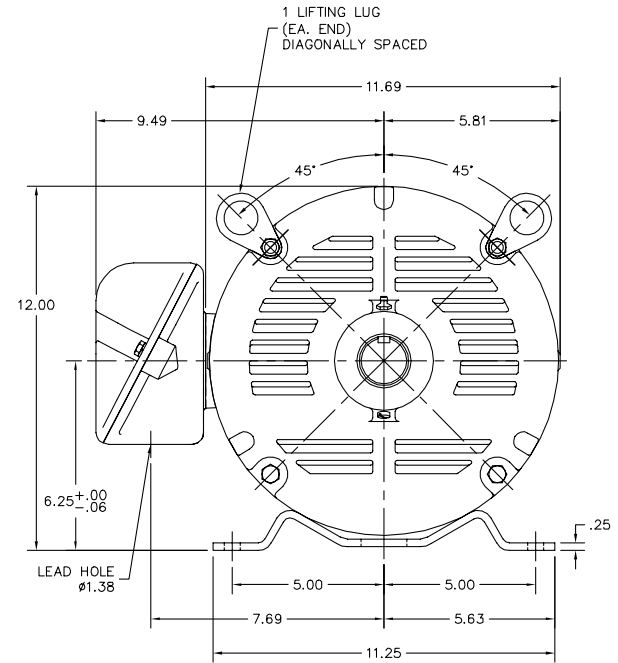
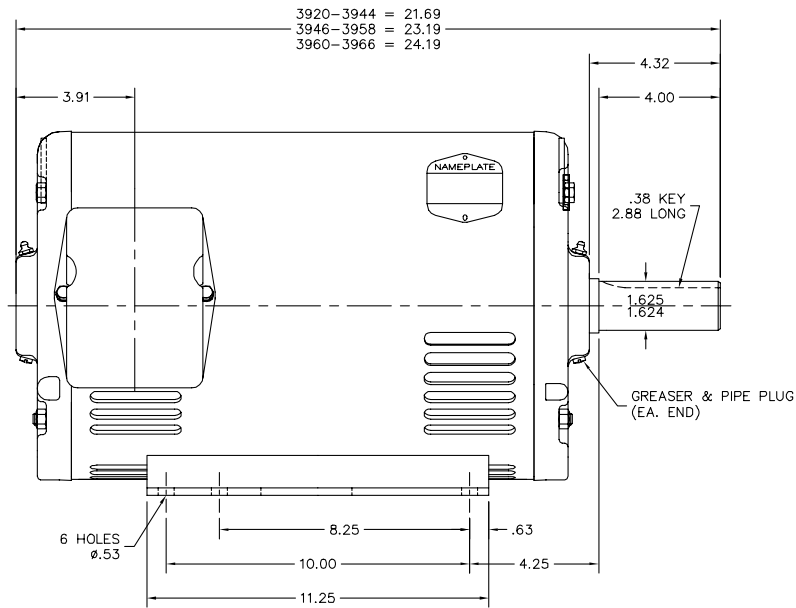
Load Characteristics 200 V, 60 Hz, 15 HP

% of Rated Load	25	50	75	100	125	150	S.F.
Power Factor	47	70	81	86	88	89	87
Efficiency	90.1	93.3	93.5	93.1	92.2	91	92.6
Speed	1792	1784	1775	1765	1754	1742	1758
Line amperes	19	24.7	32.2	40.6	50	60.3	46.3

Performance Graph at 200V, 60Hz, 15.0HP Typical performance - Not guaranteed values



39LYK057



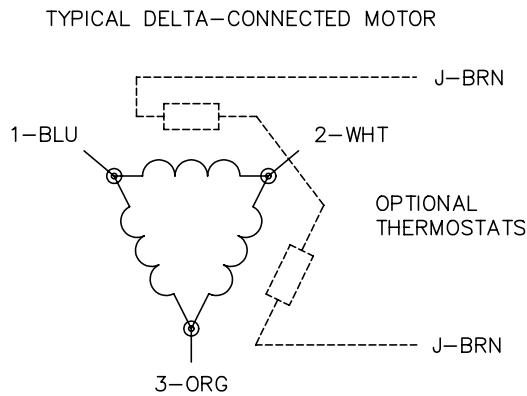
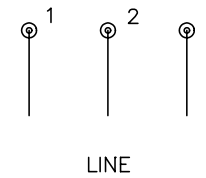
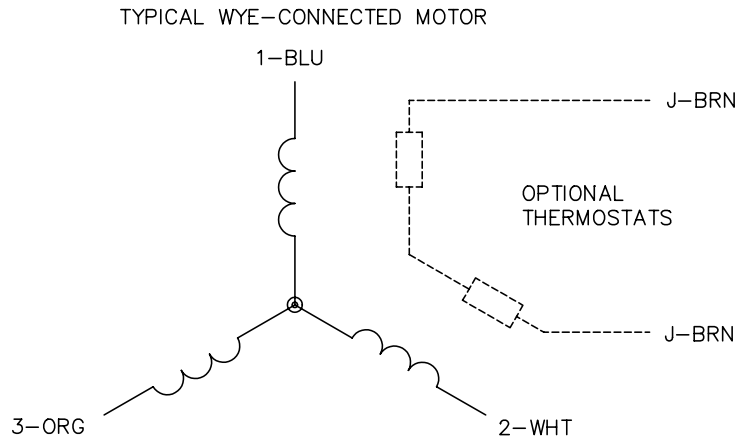
39LYK057

CUSTOMER IS RESPONSIBLE FOR DETERMINING THAT BALDOR'S PRODUCT WILL PERFORM SUITABLY IN THE INTENDED APPLICATION.

REV. DESC: UPDATED DESCRIPTION		
REV. LTR: H	VERSION: 06	TDR: 000000B55568
FILE: \AAA\00049\866	REVISED: 03:22:41 05/28/2014	BY: ENNINDO
MTL: -		

BALDOR
 HORZ OPSB 254-6T SUPER-E
 SH 1 of 1

CD0006



NOTES:

1. THREE LEAD MOTOR MAY BE EITHER WYE CONNECTED OR DELTA CONNECTED.
2. INTERCHANGE ANY TWO LINE LEADS TO REVERSE ROTATION.
3. OPTIONAL THERMOSTATS ARE PROVIDED WHEN SPECIFIED.
4. ACTUAL NUMBER OF INTERNAL PARALLEL CIRCUITS MAY VARY.
5. LEAD COLORS ARE OPTIONAL. LEADS MUST BE NUMBERED AS SHOWN.

REV. DESC: REVISE TO SHOW OPTIONAL COLORS			
REV. LTR: D	BY: JLP	REVISED: 01/21/99 4:02	TDR: 0171435
9000D		FILE: AAA00005141	MDL: -
		MTL: -	

BALDOR ELECTRIC Co.

3PH, SV, 3 LEADS, WYE OR DELTA CONNECTED

CD0006