

BALDOR® • RELIANCE

Product Information Packet

EM4400T-G

100HP, 1785RPM, 3PH, 60HZ, 405T, A40064M, TEFC

| Part Detail | | | | | | | |
|-------------|---------|----------------|---------|-------------|-----------|---------------|------------|
| Revision: | D | Status: | PRD/A | Change #: | | Proprietary: | No |
| Type: | AC | Prod. Type: | A40064M | Elec. Spec: | A40WG1610 | CD Diagram: | 416820-002 |
| Enclosure: | TEFC | Mfg Plant: | | Mech. Spec: | | Layout: | 617429-001 |
| Frame: | 405T | Mounting: | F1 | Poles: | 04 | Created Date: | 07-17-2013 |
| Base: | | Rotation: | R | Insulation: | H | Eff. Date: | 09-26-2016 |
| Leads: | 3#2,6#4 | | | | | Replaced By: | |
| Literature: | | Elec. Diagram: | | | | | |

| | |
|-------------------|--|
| Nameplate NP2496L | |
| MOBIL POLYREX EM | |
| | |

| Nameplate NP2383L | | | | | | | | | | |
|-------------------------|------------|------|---------|---------------|----------|---------|-----------------------|--------|-------------|---|
| CAT.NO. | EM4400T-G | | | SPEC NO. | P40G3927 | | | | | |
| HP | 100 | AMPS | 224/112 | | VOLTS | 230/460 | | DESIGN | B | |
| FRAME | 405T | RPM | 1785 | HZ | 60 | AMB | 40 | SF | 1.15 | |
| DRIVE END BEARING | 80BC03J30X | | | PHASE | 3 | DUTY | CONT | | INSUL.CLASS | H |
| OPP D.E. BEARING | 80BC03J30X | | | TYPE | P | ENCL | TEFC | CODE | G | |
| SER.NO. | | | | POWER FACTOR | 87 | | NEMA-NOM-EFFICIENCY | 95.4 | | |
| NEMA NOM/CSA QUOTED EFF | | | | MAX CORR KVAR | 18 | | GUARANTEED EFFICIENCY | 94.5 | | |
| | | | | MOTOR WEIGHT | 1326 | | | | | |

| Parts List | | |
|-------------|--|----------|
| Part Number | Description | Quantity |
| SA267716 | SA P40G3927 | 1.000 EA |
| RA254386 | RA P40G3927 | 1.000 EA |
| 421948032 | LABEL, MYLAR | 1.000 EA |
| 000692000FF | N/P | 1.000 EA |
| NP2496L | MOTOR LUBE NAMEPLATE | 1.000 EA |
| 000613006PU | N/P (RELEASE QTY 10,000) UL CSA LABEL | 1.000 EA |
| 000692000VD | LABEL WARNING | 1.000 EA |
| NP2383L | SUPER-E ,SS, CC, CSA-C US, CSA EEV | 1.000 EA |
| 089412501A | BRKT FTMT G400 FIN MACH 6316 89412500WCA | 1.000 EA |
| 415072001B | CLAMP | 1.000 EA |
| 083198101A | G400 STD FAN COVER MACHINING | 1.000 EA |
| 034180012DA | KEY 1X4X1/4X1-1/2 L | 1.000 EA |
| 078548001R | FAN KB 234/150 (84) 400 | 1.000 EA |
| 004824015A | GREASE POLYREX EM | 0.880 LB |
| 032018020EK | HHCS 5/8-11X2-1/2 PLTD. | 4.000 EA |
| 032018008CK | HHCS 3/8-16X1L PLATED | 4.000 EA |
| 032018008CK | HHCS 3/8-16X1L PLATED | 4.000 EA |
| 032018024CK | HHCS 3/8-16X3 PLTD. | 3.000 EA |
| 034692005AA | P PLUG 3/4"BLK. | 1.000 EA |
| 415096002A | CPLG 1/8 HEX TYPE | 1.000 EA |
| 410700000DA | WAVY SPRING WASHER | 1.000 EA |
| 034000014AB | WSH ID.406 OD.812 TH.065 | 4.000 EA |
| 034530052AB | P/NIP 1/8X6-1/2 GALV. | 1.000 EA |
| 034530056BB | P/NIP 1/4X7 SCHED 40 | 1.000 EA |

| Parts List (continued) | | |
|------------------------|--|----------|
| Part Number | Description | Quantity |
| 034690001AB | SQHDPLG, COND | 1.000 EA |
| 034690001AB | SQHDPLG, COND | 1.000 EA |
| 034631002AB | BUSH 1/4 TO 1/8 PLTD. | 1.000 EA |
| 034690001AB | SQHDPLG, COND | 1.000 EA |
| 089412501A | BRKT FTMT G400 FIN MACH 6316 89412500WCA | 1.000 EA |
| 032018020EK | HHCS 5/8-11X2-1/2 PLTD. | 4.000 EA |
| 032018024CK | HHCS 3/8-16X3 PLTD. | 3.000 EA |
| 034690002AB | "unbulked" PPLG 1/4" PLTD. | 1.000 EA |
| 077176000L | C/BOX, PAINTED 360-400 | 1.000 EA |
| BP5328 | SHAFT GRD BRUSH (SGR-89.4-3CFHA) | 1.000 EA |
| 077176001A | CBOXC, PAINTED 360-400 | 1.000 EA |
| 043292000AJ | GASK 320-400 | 1.000 EA |
| 402731001A | GASK 360-440 | 1.000 EA |
| 418150003A | GREASE FITTING CAP | 1.000 EA |
| 032018005AK | HHCS 1/4-20X5/8 PLATED | 4.000 EA |
| 035000001A | ALFTG 1/8" 1610-BL | 1.000 EA |
| 415000103D | T/LUG #4AWG-1/0AWG W/HOLE FOR .250 BOLT | 1.000 EA |
| 406099000A | PLUG - FAN COVER 320-440 | 1.000 EA |
| 033512004LB | HHTTS 1/4-20X1/2 PLTD. | 1.000 EA |
| 035000001A | ALFTG 1/8" 1610-BL | 1.000 EA |
| 418150003A | GREASE FITTING CAP | 1.000 EA |
| MG1000Y03 | MUNSELL 2.53Y 6.70/ 4.60, GLOSS 20, | 0.375 GA |
| 033775004EA | DRSCR #6-1/4 304 S.S. | 2.000 EA |
| 034180044JA | KEY 3/4X3/4X5-1/2 L | 1.000 EA |

Product Information Packet: EM4400T-G - 100HP,1785RPM,3PH,60HZ,405T,A40064M,TEFC

| | | |
|-------------|--------------------------|----------|
| 604797045 | STD. 400 FRAME SKID | 1.000 EA |
| 032510024D | CARRIAGE BOLT - 444 | 2.000 EA |
| 034001016AB | WSHR .562ID 1.375OD .109 | 2.000 EA |
| 034001014AB | FLAT WASHER 3/8"PLATED | 2.000 EA |
| 033300014AC | HEX NUT, SHIPPING - 400 | 2.000 EA |
| 604797003C | SHIPPING BAG | 1.000 EA |

| | | | | | | |
|-----------|--------------|----------------|-----------|---|-------------|---------|
| REL. S.O. | FRAME | HP | TYPE | PHASE/ HERTZ | RPM | VOLTS |
| | 405T | 100 | P | 3/60 | 1785 | 230/460 |
| AMPS | DUTY | AMB °C/ INSUL. | S.F. | NEMA DESIGN | CODE LETTER | ENCL. |
| 224/112 | CONT | 40/H | 1.15 | B | G | TEFC |
| E/S | ROTOR | TEST S.O. | TEST DATE | STATOR RES. @25 °C OHMS (BETWEEN LINES) | | |
| 596956 | 418142-33-RE | --- | --- | .0123/.0492 | | |

PERFORMANCE

| LOAD | HP | AMPERES | RPM | POWER FACTOR % | EFFICIENCY % |
|---------|------|---------|------|----------------|--------------|
| NO LOAD | 0 | 28.6 | 1800 | 5.49 | 0 |
| 1/4 | 25.0 | 39.2 | 1796 | 64.3 | 93.0 |
| 2/4 | 50.0 | 59.5 | 1792 | 82.5 | 95.4 |
| 3/4 | 75.0 | 84.6 | 1788 | 86.7 | 95.7 |
| 4/4 | 100 | 112 | 1783 | 87.4 | 95.4 |
| 5/4 | 125 | 141 | 1778 | 87.3 | 94.9 |

SPEED TORQUE

| | RPM | TORQUE % FULL LOAD | TORQUE LB.-FT. | AMPERES |
|--------------|------|--------------------|----------------|---------|
| LOCKED ROTOR | 0 | 151 | 445 | 725 |
| PULL UP | 360 | 136 | 400 | 706 |
| BREAKDOWN | 1721 | 250 | 735 | 382 |
| FULL LOAD | 1783 | 100 | 295 | 112 |

AMPERES SHOWN FOR 460. VOLT CONNECTION. IF OTHER VOLTAGE CONNECTIONS ARE AVAILABLE, THE AMPERES WILL VARY INVERSELY WITH THE RATED VOLTAGE

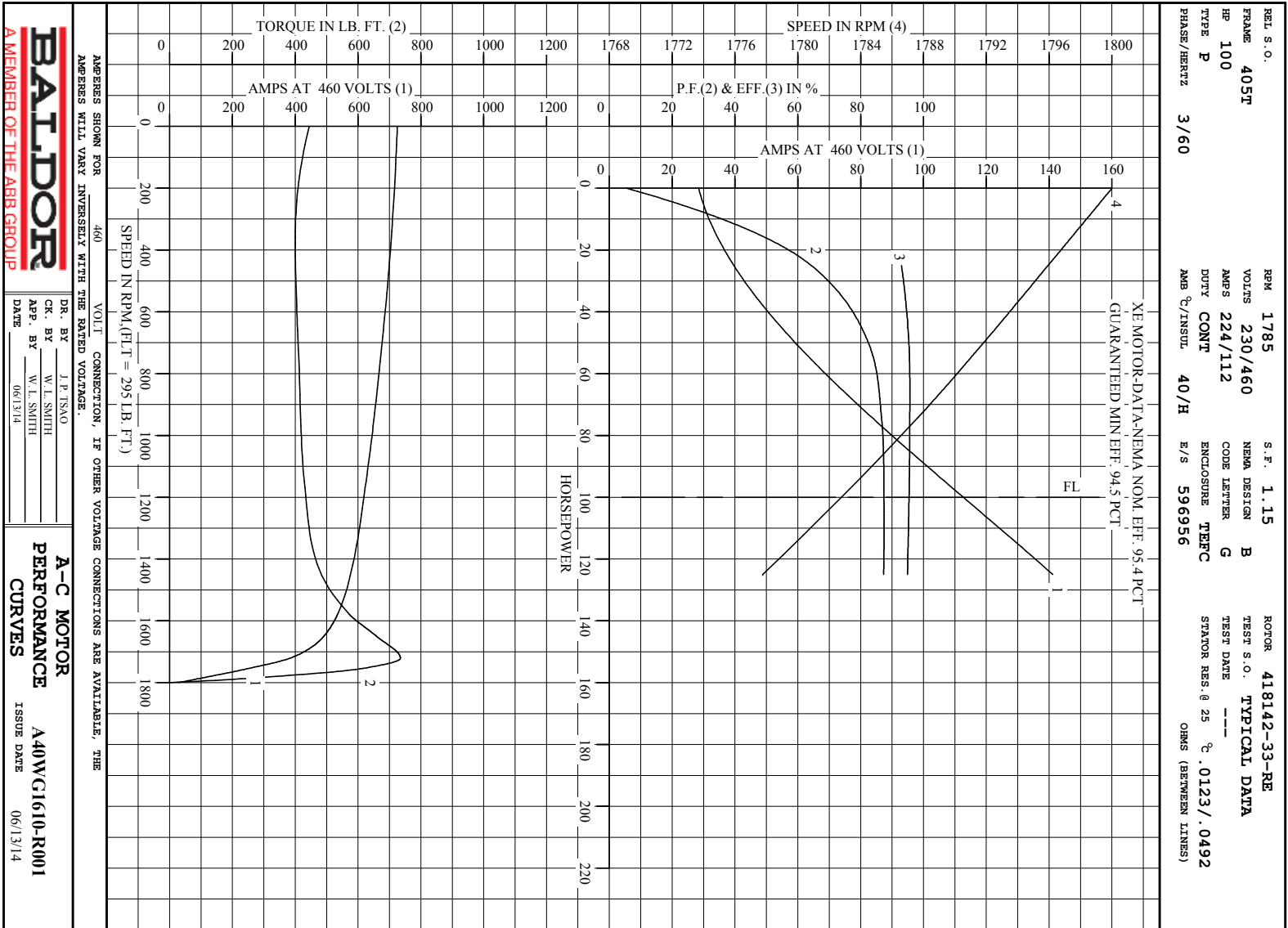
REMARKS: TYPICAL DATA
 XE MOTOR-DATA-NEMA NOM. EFF. 95.4 PCT
 GUARANTEED MIN EFF. 94.5 PCT



DR. BY J. P. TSNO
 CK. BY W. I. SMITH
 APP. BY W. I. SMITH
 DATE 06/13/14

A-C MOTOR PERFORMANCE DATA
 A40WG1610-R001
 ISSUE DATE 06/13/14

A MEMBER OF THE ABB GROUP



Printed on 6/13/14 15:27 @ rsgsun

DUTY MASTER ALTERNATING CURRENT MOTORS

SQUIRREL-CAGE INDUCTION

ENCLOSURE: TOTALLY ENCLOSED

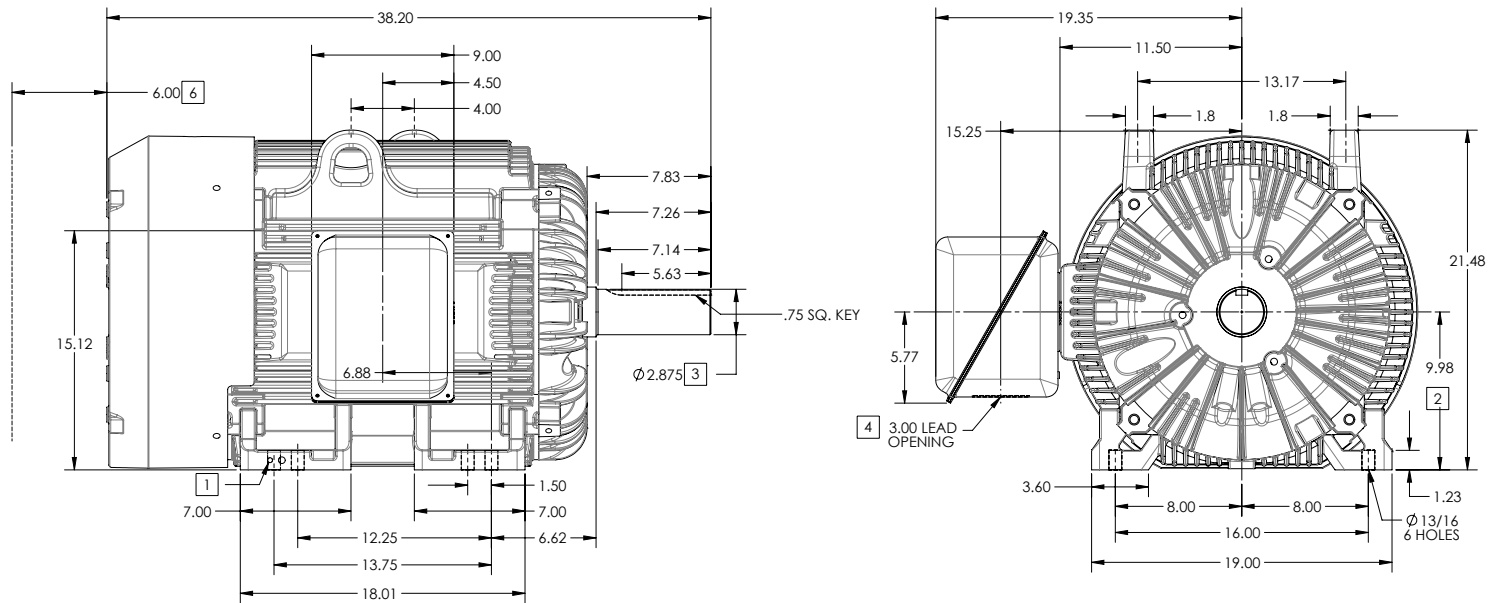
FRAME G405T ABOVE NEMA RATINGS

COOLING: FAN COOLED

MOUNTING: FOOT

INCLUDES 404T FRAME MOUNTING HOLES

STANDARD INDUSTRIAL ENCLOSURE



1. GROUND HOLES QTY 1 1/2-13 TAP; QTY 1 3/8-16 TAP
2. VARIES +.00,-.06
3. VARIES +.00,-.001
4. ON STANDARD MOTORS THIS IS CONDUIT SIZE. ON XT AND CORROSION PROOF MOTOR THIS IS PIPE TAP.
5. MOTOR WEIGHTS MAY VARY BY 15% DEPENDING ON RATING.
6. OBSTRUCTION MUST NOT ENCROACH ON AIR INLET

[5] WEIGHT (LBS): 1350

CONDUIT BOX LOCATED ON OPPOSITE SIDE WHEN F-2. IF MOUNTING CLEARANCE DETAILS ARE REQUIRED, CONSULT FACTORY. MAXIMUM PERMISSIBLE SHAFT RUNOUT WHEN MEASURED AT END OF STANDARD SHAFT EXTENSION IS .003" T.I.R. TO 5 INCH DIA.

DIMENSIONS ARE IN INCHES; SEE SHEET 2 FOR DIMENSIONS IN MILLIMETERS

CUSTOMER IS RESPONSIBLE FOR DETERMINING THAT MOTOR PERFORMANCE IS SUITABLE IN THE APPLICATION.

SHEET NUMBER
1 OF 2

100-627219

| | | | |
|--|-------------|------------------------------|------------------|
| REV. DESC: CHANGE BA FROM 6.76 TO 6.62 | | | |
| REV: B | VERSION: 02 | REVISED: 11-40-02 04/14/2014 | TDR: 00000848770 |
| MODEL NO. 617429-001 | | | REF: |
| BY: MGHMMZ2 | Material: | | |

BALDOR

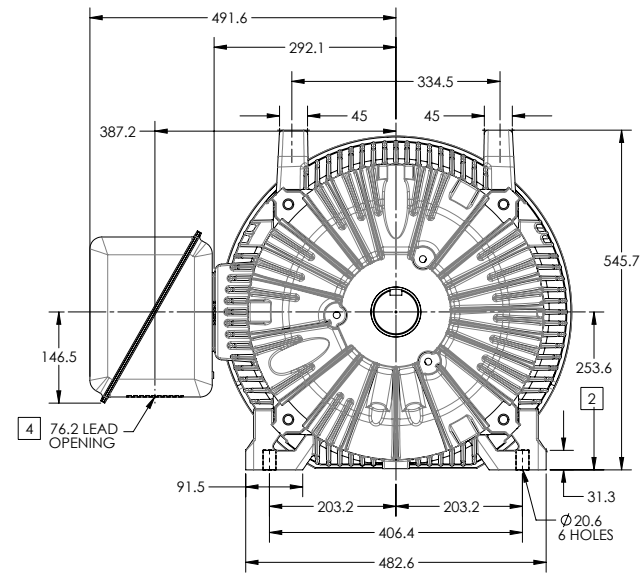
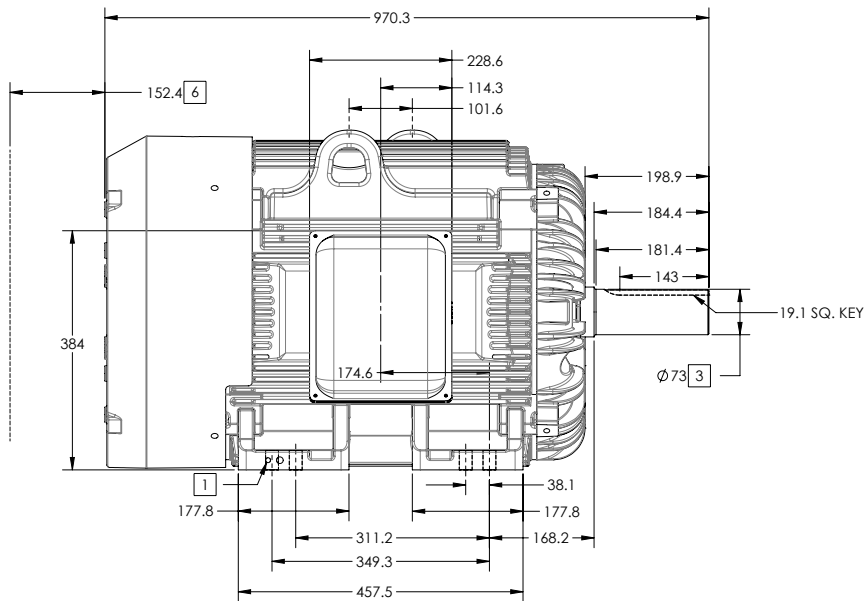
G405T-404T STD - FOOTED - STANDARD ENCLOSURE

DUTY MASTER ALTERNATING CURRENT MOTORS
SQUIRREL-CAGE INDUCTION

ENCLOSURE: TOTALLY ENCLOSED
MOUNTING: FOOT

FRAME G405T ABOVE NEMA RATINGS
INCLUDES 404T FRAME MOUNTING HOLES

COOLING: FAN COOLED
STANDARD INDUSTRIAL ENCLOSURE



1. GROUND HOLES QTY 1 1/2-13 TAP; QTY 1 3/8-16 TAP
2. VARIES +0,-1.5
3. VARIES +00,-.03
4. ON STANDARD MOTORS THIS IS CONDUIT SIZE. ON XT AND CORROSION PROOF MOTOR THIS IS PIPE TAP.
5. MOTOR WEIGHTS MAY VARY BY 15% DEPENDING ON RATING.
6. OBSTRUCTION MUST NOT ENCROACH ON AIR INLET

[5] WEIGHT (KGS): 620

CONDUIT BOX LOCATED ON OPPOSITE SIDE WHEN F-2.
IF MOUNTING CLEARANCE DETAILS ARE REQUIRED, CONSULT FACTORY.
MAXIMUM PERMISSIBLE SHAFT RUNOUT WHEN MEASURED AT END OF STANDARD SHAFT EXTENSION IS .08 MM T.I.R. TO 127 MM DIA.

DIMENSIONS ARE IN MILLIMETERS; SEE SHEET 1 FOR DIMENSIONS IN INCHES

CUSTOMER IS RESPONSIBLE FOR DETERMINING THAT MOTOR PERFORMANCE IS SUITABLE IN THE APPLICATION.

SHEET NUMBER
2 OF 2

100-6272119

| | |
|--|------------------------------|
| REV. DESC: CHANGE BA FROM 6.76 TO 6.62 | TDR: 00000848770 |
| REV: B VERSION: 02 | REVISED: 11-30-02 04/14/2014 |
| MODEL NO. 617429-001 | REF: |
| BY: MGHMMZ2 | Material: |

BALDOR

G405T-404T STD - FOOTED - STANDARD ENCLOSURE

Marketing maintained PDF of MN408:

<http://www.baldor.com/support/Literature/Load.ashx/MN408?ManNumber=MN408>

Marketing maintained PDF of MN416:

<http://www.baldor.com/support/Literature/Load.ashx/MN416?ManNumber=MN416>