

BALDOR® • ***RELIANCE***

Product Information Packet

EM7062T-C

40//30HP,1775//1480RPM,3PH,60//50HZ,324T

Part Detail							
Revision:	Q	Status:	PRD/A	Change #:		Proprietary:	No
Type:	AC	Prod. Type:	1254M	Elec. Spec:	12WGY276	CD Diagram:	CD0180
Enclosure:	XPFC	Mfg Plant:		Mech. Spec:	12R031	Layout:	12LYR031
Frame:	324T	Mounting:	F1	Poles:	04	Created Date:	04-27-2010
Base:	RG	Rotation:	R	Insulation:	B	Eff. Date:	01-04-2017
Leads:	9#8					Replaced By:	
Literature:		Elec. Diagram:					

Nameplate NP0978XPSLEV										
NO.							CC	010A		
SER.							TEMP CODE	T4		
SPEC.	12R031Y276G1									
CAT.NO.	EM7062T-C									
HP	40//30									
VOLTS	230/460//190/380									
AMPS	96/48//90/45									
RPM	1775//1480						MOTOR WEIGHT	700		
HERTZ	60//50			PH	3	CL	B	DE BRG	6312	
SER.F.	1.00			DES	A	CODE	H	ODE BRG	6311	
FRAME	324T			GREASE	POLYREX EM					
RATING	40C AMB-CONT									
USABLE AT 208V				NEMA-NOM-EFF	94.1			PF	82	

Parts List		
Part Number	Description	Quantity
SA194173	SA 12R031Y276G1	1.000 EA
RA181763	RA 12R031Y276G1	1.000 EA
09FN3001B03SP	EXTERNAL FAN, PLASTIC	1.000 EA
12EP1705A05	ENDPLATE,MACH.312-EXPL PROOF 311 BRG-EXP	1.000 EA
HA3051A03	1/2-13X2.75 BLT GR8 1.75 TO E NC F/S	4.000 EA
HW1001A50	LOCKWASHER 1/2, ZINC PLT.,.879 OD, .509 I	4.000 EA
HW5100A13	W4627-047 WVY WSHER	1.000 EA
12EP1706A01	ENDPLATE, MACH. 312 - EXPLOSION PROOF 31	1.000 EA
10XN3118K44	5/16-18 X 2.75" HEX HD, GRADE 5	4.000 EA
HW1001A31	LOCKWASHER 5/16, ZINC PLT.591 OD, .319 I	4.000 EA
HA3051A03	1/2-13X2.75 BLT GR8 1.75 TO E NC F/S	4.000 EA
HW1001A50	LOCKWASHER 1/2, ZINC PLT.,.879 OD, .509 I	4.000 EA
12FH1001A01	FAN HOUSING 312 EXPLOSION PROOF MOTORS	1.000 EA
10XN3118K12	5/16-18 X .75 GRADE 5, ZINC PLATED	3.000 EA
HW1001A31	LOCKWASHER 5/16, ZINC PLT.591 OD, .319 I	3.000 EA
HW2501H33	KEY, 1/2 SQ X 3.875	1.000 EA
LB1115N	LABEL,LIFTING DEVICE (ON ROLLS)	1.000 EA
LB1081C	ALUM XP CAUTION LABEL (COL PLANT ONLY-	1.000 EA
12CB1003A01	CONDUIT BOX MACH. GROUP C MTRS	1.000 EA
10XN3118K24	5/16-18 X 1.50" HEX HD, GRADE 5	4.000 EA
HW1001A31	LOCKWASHER 5/16, ZINC PLT.591 OD, .319 I	4.000 EA
WD1000B19	TERMINAL BURNDY L250HP	1.000 EA
10XN3816K12	3/8-16 X 3/4 HEX HD CAP GRADE 5	1.000 EA
HW1001A38	LOCKWASHER 3/8, ZINC PLT .688 OD, .382 I	1.000 EA

Parts List (continued)		
Part Number	Description	Quantity
HW4500A20	1/8NPT SL PIPE PLUG	2.000 EA
MJ1000A02	GREASE, POLYREX EM EXXON (USe 4824-15A)	0.200 LB
HW4500A20	1/8NPT SL PIPE PLUG	2.000 EA
HW2500A25	WOODRUFF KEY USA #1008 #BLOW CARBON STEE	1.000 EA
51XB1214A20	12-14X1.25 HXWSSLD SERTYB	1.000 EA
12CB1502A01	CONDUIT BOX LID MACH. GROUP C MTRS	1.000 EA
84XN5013J32	SOCKET HD.CAP SCR,1/2-13 X 2"LG,ALLOY ST	10.000 EA
HW1001A50	LOCKWASHER 1/2, ZINC PLT.,.879 OD, .509 I	10.000 EA
MG1025G05	WILKOFASST, 789.227, MED. GRAY CHAR. MET.	0.080 GA
85XU0407S04	4X1/4 U DRIVE PIN STAINLESS	6.000 EA
MN416A01	TAG-INSTAL-MAINT no wire (1000/bx) 11/14	1.000 EA
LB1119N	WARNING LABEL	1.000 EA
LC0181	CONNECTION LABEL	1.000 EA
NP0978XPSLEV	SS XP UL CSA-EEV CC CL-I GP-C&D	1.000 EA
14PA1000	PACKAGING 314 GROUP COMBINED PRINT	1.000 EA

AC Induction Motor Performance Data

Record # 30935 - Typical performance - not guaranteed values

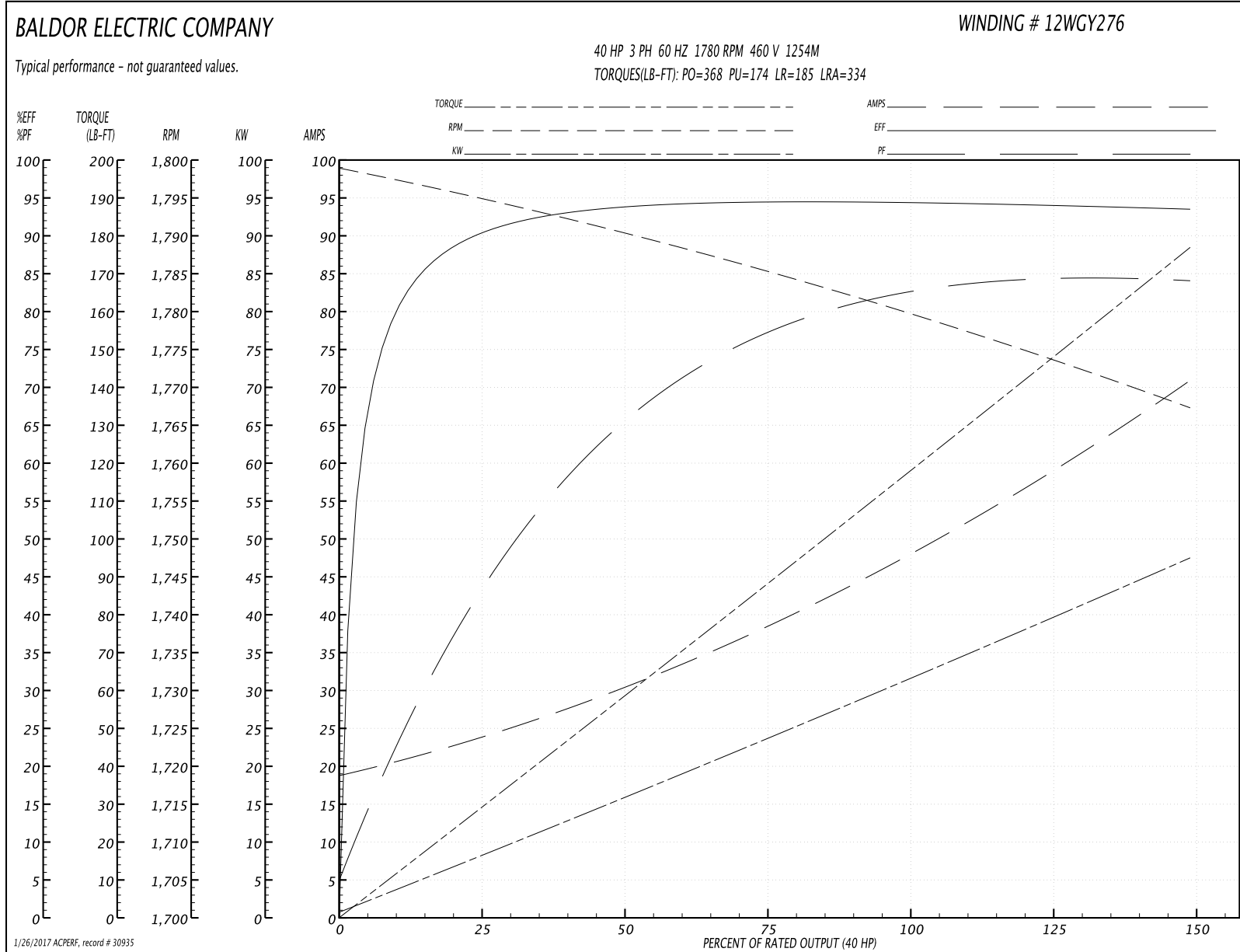
Winding: 12WGY276-R002	Type: 1254M	Enclosure: XPFC
-------------------------------	--------------------	------------------------

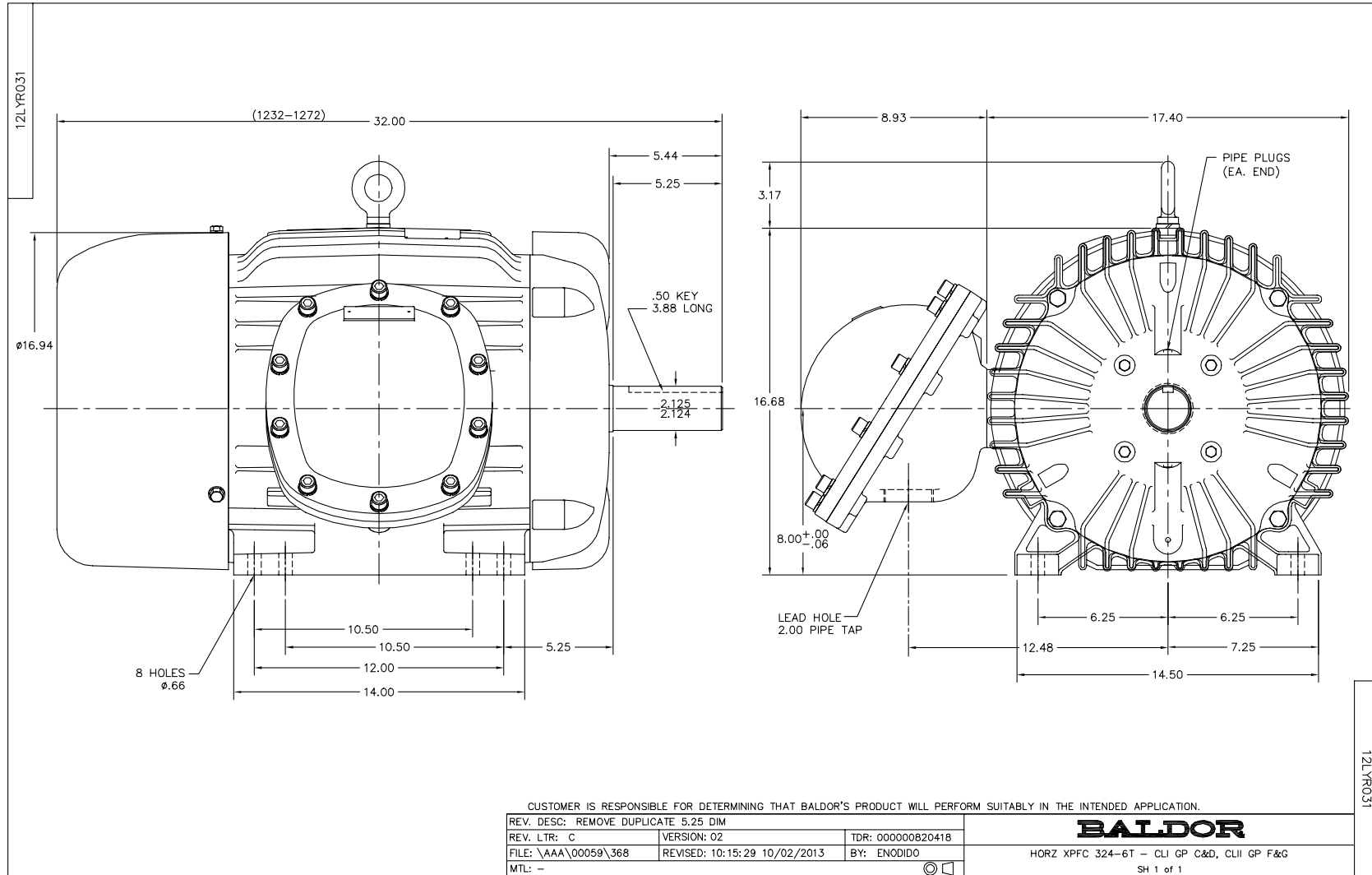
Nameplate Data				460 V, 60 Hz: High Voltage Connection	
Rated Output (HP)	40//30			Full Load Torque	118 LB-FT
Volts	230/460//190/380			Start Configuration	direct on line
Full Load Amps	96/48//90/45			Breakdown Torque	368 LB-FT
R.P.M.	1775//1480			Pull-up Torque	174 LB-FT
Hz	60//50	Phase	3	Locked-rotor Torque	185 LB-FT
NEMA Design Code	B	KVA Code	H	Starting Current	334 A
Service Factor (S.F.)	1			No-load Current	19.5 A
NEMA Nom. Eff.	94.1	Power Factor	82	Line-line Res. @ 25°C	0.144 Ω
Rating - Duty	40C AMB-CONT			Temp. Rise @ Rated Load	53°C
				Locked-rotor Power Factor	27
				Rotor inertia	7.19 LB-FT ²

Load Characteristics 460 V, 60 Hz, 40 HP

% of Rated Load	25	50	75	100	125	150
Power Factor	46	67	77	82	83	85
Efficiency	90.1	93.6	94.4	94.4	94.2	93.4
Speed	1795	1790	1785	1780	1774	1767
Line amperes	22.9	30.1	38.9	48.4	59.5	70.4

Performance Graph at 460V, 60Hz, 40.0HP Typical performance - Not guaranteed values





CD0180



LOW VOLTAGE
(2D)



HIGH VOLTAGE
(1D)



NOTES:

1. INTERCHANGE ANY TWO LINE LEADS TO REVERSE ROTATION.
2. OPTIONAL THERMOSTATS ARE PROVIDED WHEN SPECIFIED.
3. ACTUAL NUMBER OF INTERNAL PARALLEL CIRCUITS MAY BE A MULTIPLE OF THOSE SHOWN ABOVE.
4. LEAD COLORS ARE OPTIONAL. LEADS MUST ALWAYS BE NUMBERED AS SHOWN.

REV. DESC: REVISE TO SHOW OPTIONAL COLORS			
REV. LTR: C	BY: JLP	REVISED: 01/21/99 2:28	TDR: 0171435
0810D0		FILE: AAA00005148	MDL: -
		MTL: -	

BALDOR ELECTRIC Co.

3PH, DV, 9 LEADS, DELTA CONNECTION

CD0180