

# **BALDOR**® • *RELIANCE*

## **Product Information Packet**

### **EM7568T-I**

**75HP, 1800RPM, 3PH, 60HZ, 365T, FCXP, F1**

Part Detail							
Revision:	-	Status:	PRD/A	Change #:		Proprietary:	No
Type:	AC	Prod. Type:	A36068M	Elec. Spec:	A36WG1729	CD Diagram:	416820-002
Enclosure:	TEFC	Mfg Plant:		Mech. Spec:		Layout:	611742-983-SH1
Frame:	365T	Mounting:	F1	Poles:	04	Created Date:	03-09-2016
Base:		Rotation:	R	Insulation:	B	Eff. Date:	04-14-2016
Leads:	3#4,6#6					Replaced By:	
Literature:		Elec. Diagram:					

Nameplate 000613006PC

CLASS I GROUP	D X X
CLASS II GROUP	E F G
OPERATING TEMP CODE	T3C

Nameplate NP2293L			
CAT.NO.	EM7568T-I	SPEC NO.	P36G4720
HP	75	PHASE	3
RPM	1780	DESIGN	B
VOLTS	230/460	TYPE	P
AMPS	168/84.1	AMB	40
DRIVE END BEARING	65BC03J30X	SF	1.15
OPP D.E. BEARING	65BC03J30X	DUTY	CONT
SER.NO.		INSUL.CLASS	F
		ENCL	TEFC
		CODE	F
		NEMA-NOM-EFFICIENCY	95.4
		FRAME	365T
		MOTOR WEIGHT	977

Parts List		
Part Number	Description	Quantity
SA316491	SA P36G4720	1.000 EA
RA304064	RA P36G4720	1.000 EA
421948032	LABEL, MYLAR	1.000 EA
000692000VD	LABEL WARNING	1.000 EA
000613006PC	N/P U/L (REL QTY 500)	1.000 EA
421948032	LABEL, MYLAR	1.000 EA
NP2293L	BALDOR RELIANCE INDUST. MTR,SS,CSA-C US,	1.000 EA
087793060BB	BRKT 360 087793050WCB	1.000 EA
415072001B	CLAMP	1.000 EA
415030051AX	BUSH - 360	1.000 EA
078559001A	+FANCV - 360	1.000 EA
034180014DA	KEY 1/4X1/4X1-3/4 L	1.000 EA
702676001C	FAN 360 - 56 PCS	1.000 EA
004824015A	GREASE POLYREX EM	0.540 LB
032018008AK	HHCS 1/4-20X1 PLATED	4.000 EA
032018018CK	HHCS 3/8-16X2-1/4 PLTD.	2.000 EA
415096002A	CPLG 1/8 HEX TYPE	1.000 EA
604923009R	SLGR - 360	1.000 EA
410700004F	WSHR	1.000 EA
034017016AB	LCKW 1/2" PLATED	4.000 EA
034017012AB	LCKW 1/4 STD. PLATED	4.000 EA
032130020DB	HSKCS 1/2-13X2-1/2 PLTD.	4.000 EA
034017014AB	LCKW 3/8 STD. PLATED	2.000 EA
034530056AC	P/NIP 1/8X7L GALV-365	1.000 EA

Parts List (continued)		
Part Number	Description	Quantity
032620012HD	HSSS 8-32X3/8 304S.S.	2.000 EA
034690002AB	"unbulked" PPLG 1/4" PLTD.	1.000 EA
034690002AB	"unbulked" PPLG 1/4" PLTD.	1.000 EA
087793113	BRKT STD 313 E360 FCXP W/ CL.II GRP E &	1.000 EA
032018018CK	HHCS 3/8-16X2-1/4 PLTD.	2.000 EA
604923009R	SLGR - 360	1.000 EA
034017016AB	LCKW 1/2" PLATED	4.000 EA
034017014AB	LCKW 3/8 STD. PLATED	2.000 EA
032620012HD	HSSS 8-32X3/8 304S.S.	2.000 EA
034530020AB	P/NIP 1/8X2-1/2 PLTED	1.000 EA
415096002A	CPLG 1/8 HEX TYPE	1.000 EA
415030051AX	BUSH - 360	1.000 EA
032130020DB	HSCHS 1/2-13X2-1/2 PLTD.	4.000 EA
14CB1000A01	CONDUIT BOX, BOLT-ON, MACH, XP 360 & 400	1.000 EA
14CB1500A01	CONDUIT BOX LID MACH	1.000 EA
418150003A	GREASE FITTING CAP	1.000 EA
032018010CK	HHCS 3/8-16X1-1/4 PLTD.	6.000 EA
406055001C	GRFTG	1.000 EA
034017014AB	LCKW 3/8 STD. PLATED	6.000 EA
035000001A	ALFTG 1/8" 1610-BL	1.000 EA
415000103A	T/LUG #14AWG-#4AWG W/HOLE FOR .250 BOLT	1.000 EA
406099000A	PLUG - FAN COVER 320-440	1.000 EA
032018004AM	HHCS 1/4-20X1/2PLTD GREN	1.000 EA
034036012AB	LCKW EXTERNAL TOOTH 1/4"	1.000 EA

Product Information Packet: EM7568T-I - 75HP,1800RPM,3PH,60HZ,365T,FCXP,F1

406055001B	GRFTG	1.000 EA
035000001A	ALFTG 1/8" 1610-BL	1.000 EA
418150003A	GREASE FITTING CAP	1.000 EA
MG1025G05	WILKOFAS, 789.227, MED. GRAY CHAR. MET.	0.250 GA
033775004EA	DRSCR #6-1/4 304 S.S.	8.000 EA
034180034HA	KEY 5/8X5/8X4-1/4 L	1.000 EA
14PA1000	PACKAGING 314 GROUP COMBINED PRINT	1.000 EA
LB1073	ALUM XP CAUTION LABEL	1.000 EA
85XU0407S04	4X1/4 U DRIVE PIN STAINLESS	2.000 EA
402558000CCA	DRAIN-FITTING	1.000 EA
032018010CK	HHCS 3/8-16X1-1/4 PLTD.	4.000 EA
034017014AB	LCKW 3/8 STD. PLATED	4.000 EA


REL. S.O.	FRAME	HP	TYPE	PHASE/HERTZ	RPM	VOLTS
	365T	75	P	3/60	1780	230/460
AMPS	DUTY	AMB °C/ INSUL.	S.F.	NEMA DESIGN	CODE LETTER	ENCL.
168/84.1	CONT	40/F	1.15	B	F	FCXE
E/S	ROTOR	TEST S.O.	TEST DATE	STATOR RES. @25 °C (OHMS BETWEEN LINES)		
892275	708559030EE	---	---	.0216/.0867		

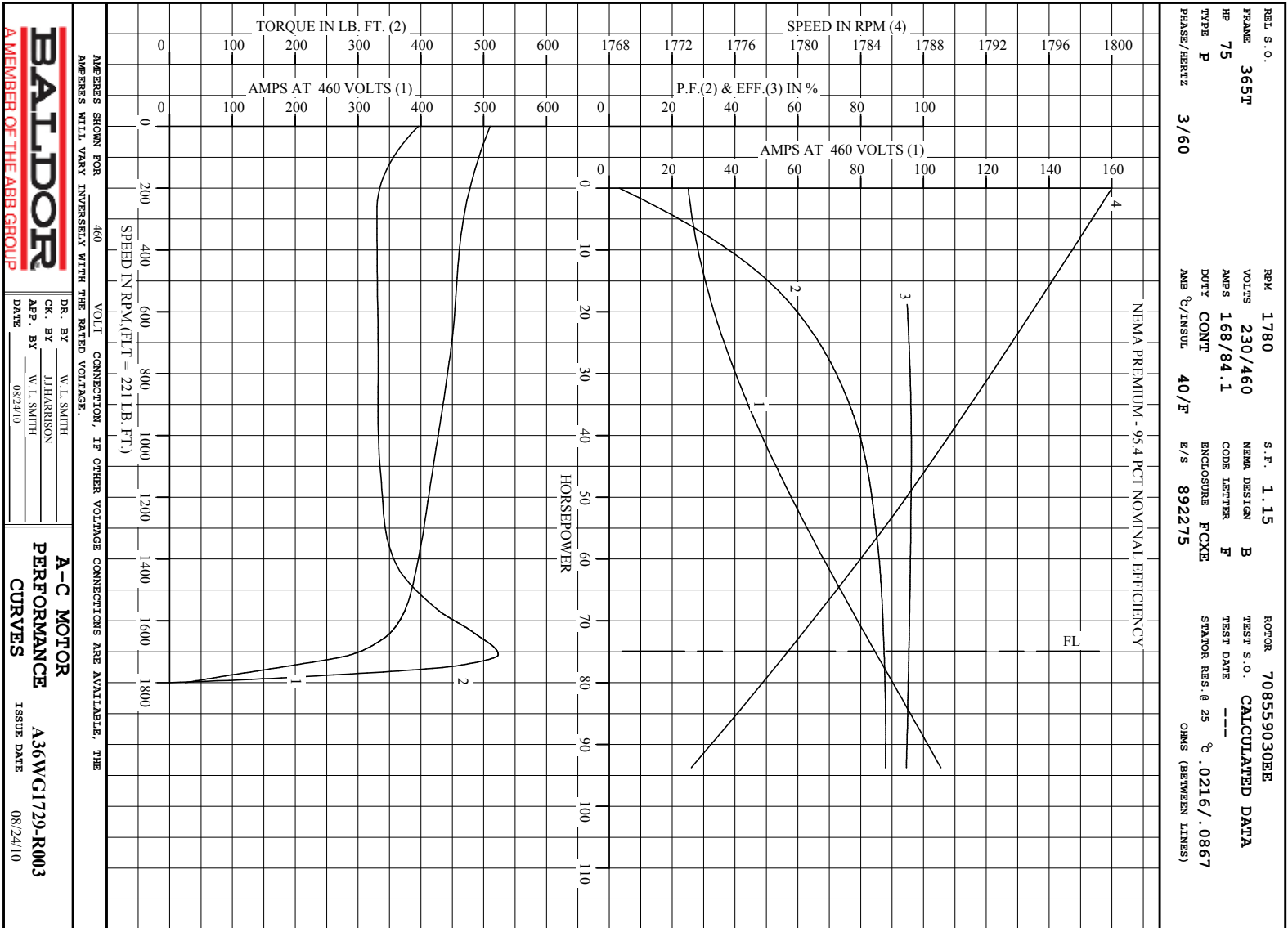
PERFORMANCE

LOAD	HP	AMPERES	RPM	POWER FACTOR %	EFFICIENCY %
NO LOAD	0	25.3	1800	3.18	0
1/4	18.8	32.1	1795	57.8	94.8
2/4	37.5	46.7	1790	78.2	96.1
3/4	56.2	64.5	1785	85.1	95.9
4/4	74.9	84.1	1780	87.5	95.4
5/4	93.8	106	1773	87.9	94.6
SPEED TORQUE					
		RPM	TORQUE % FULL LOAD	TORQUE LB.-FT.	AMPERES
LOCKED ROTOR		0	179	396	510
PULL UP		270	149	330	470
BREAKDOWN		1709	237	523	289
FULL LOAD		1780	100	221	84.1

AMPERES SHOWN FOR 460. VOLT CONNECTION. IF OTHER VOLTAGE CONNECTIONS ARE AVAILABLE, THE AMPERES WILL VARY INVERSELY WITH THE RATED VOLTAGE

REMARKS : CALCULATED DATA  
NEMA PREMIUM - 95.4 PCT NOMINAL EFFICIENCY

 A MEMBER OF THE ABB GROUP	DR. BY	W. L. SMITH	<b>A-C MOTOR</b> <b>PERFORMANCE DATA</b> <b>A36WG1729-R003</b> ISSUE DATE 08/24/10
	CR. BY	J.J.HARRISON	
	APP. BY	W. L. SMITH	
	DATE	08/24/10	



**BALDOR**  
A MEMBER OF THE ABB GROUP

DR. BY W. L. SMITH  
 CK. BY J. HARRISON  
 APP. BY W. L. SMITH  
 DATE 08/24/10

**A-C MOTOR**  
**PERFORMANCE**  
**CURVES**  
**A36WC1729-R003**  
 ISSUE DATE 08/24/10

Printed on 1/19/16 14:31 @ bengap01.baldor.com

611742-983-SH1

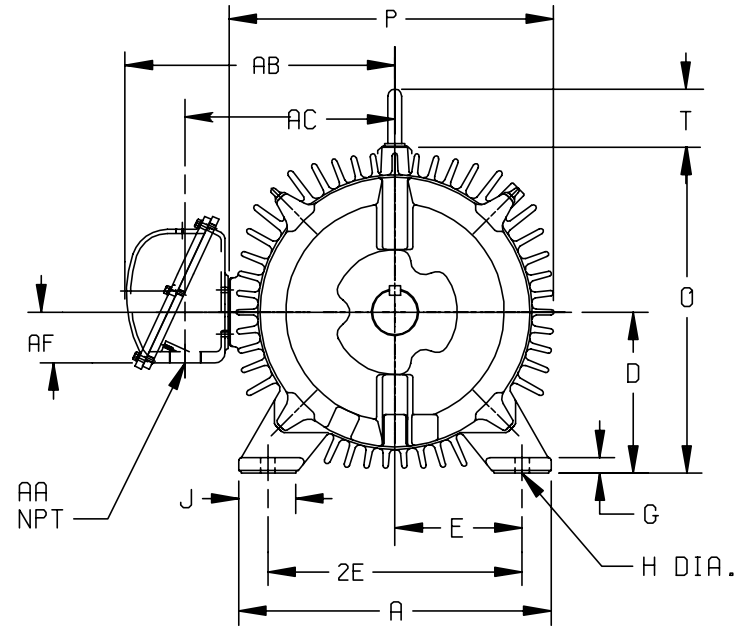
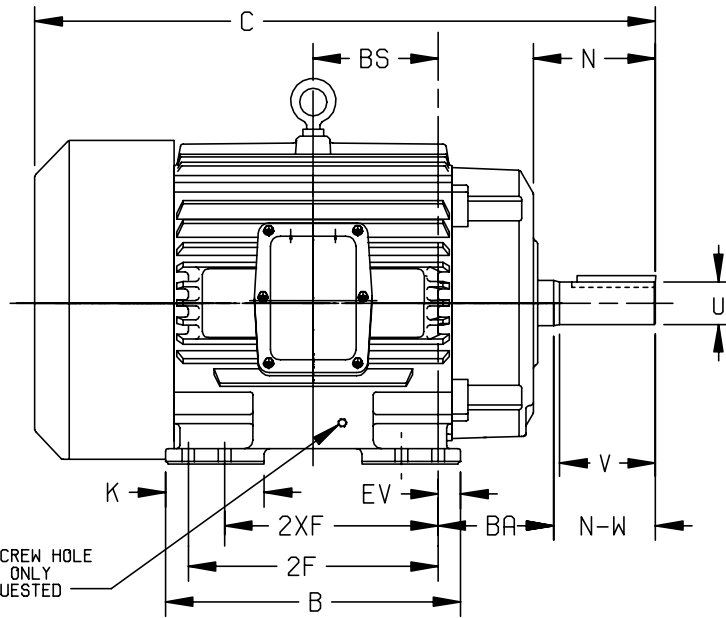
# DUTY MASTER ALTERNATING CURRENT MOTORS

ENCLOSURE: TOTALLY ENCLOSED  
 UNDERWRITERS LISTED MOTOR  
 MOUNTING: FOOT

SQUIRREL-CAGE INDUCTION

FRAMES E364T-E365TS

COOLING: FAN COOLED  
 BOLTED ON CONDUIT BOX



DIMENSIONS ARE IN INCHES; SEE SHEET 2 FOR DIMENSIONS IN MILLIMETERS

FRAME	A	D(1)	E	G	H	J	K	O	P	T	XP TERMINAL BOX					BA	EV
											AA	AB	AC	AF	AF		
E364T-365TS	17.00	9.00	7.00	.88	.69	2.75	4.00	19.11	20.25	2.94	2-1/2	18.64	14.14	4.00	5.88	1.38	

FRAME SIZE	C	BS	B	2F	(3) 2XF	N	SHAFT AND KEY					WEIGHT LBS. (4)
							N-W(5)	U(2)	V	SQ.	LGTH.	
E364T	33.44	6.12	15.00	---	11.25	6.00	5.88	2.375	5.62	.625	4.25	910
E364TS	31.31	6.12	15.00	---	11.25	3.88	3.75	1.875	3.50	.500	2.00	904
E365T	33.44	6.12	15.00	12.25	---	6.00	5.88	2.375	5.62	.625	4.25	950
E365TS	31.31	6.12	15.00	12.25	---	3.88	3.75	1.875	3.50	.500	2.00	944

- (1) "D" VARIES +.00, -.06.
- (2) "U" VARIES +.000, -.001.
- (3) ALL FRAMES HAVE EIGHT MOUNTING HOLES FOR DUAL MOUNTING.
- (4) MOTOR WEIGHTS MAY VARY BY 15% DEPENDING UPON RATING.
- (5) "N-W" VARIES +.00, -.25.

CONDUIT BOX LOCATED ON OPPOSITE SIDE WHEN F-2,W-1, W-4,W-5,W-7, OR C-1 MOUNTING IS SPECIFIED.

IF MOUNTING CLEARANCE DETAILS ARE REQUIRED, CONSULT FACTORY.

MAXIMUM PERMISSIBLE SHAFT RUNOUT WHEN MEASURED AT END OF STD. SHAFT EXTENSION IS .003

CUSTOMER IS RESPONSIBLE FOR DETERMINING THAT BALDOR'S PRODUCT WILL PERFORM SUITABLY IN THE INTENDED APPLICATION.

REV. DESC: NEW ISSUE		
REV. LTR: -	VERSION: 00	TDR: 000000969971
FILE: \RAG\00021\494	REVISED: 02: 20: 27 03/09/2016	BY: RAGGDM
MTL: -		

## BALDOR

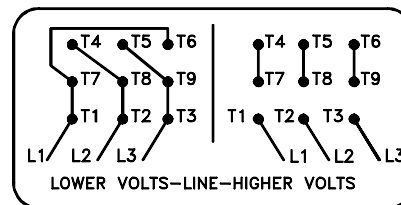
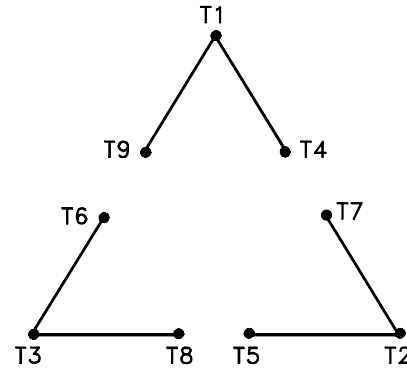
DIM SHT FCXP FT E360T BOLTED ON C/B W/2-1/2"NPT

SH 1 of 1

611742-983-SH1

416820-002

A-C MOTOR  
 CONNECTION DIAGRAM  
 STANDARD 9 LEAD DELTA-CONNECTED



(N.P. 1575-B)

416820-002

REV. DESC: LOADED TO BUS, C/R 335225		
REV. LTR: -	VERSION: 00	TDR: 000000538207
FILE: \MGA\00000\661	REVISED: 10: 47: 51 04/30/2010	
MTL: -	BY: RAGRA	

**BALDOR**

CONN DIAG - STANDARD 9 LEAD, DELTA-CONNECTED

SH 1 of 1