

BALDOR® • ***RELIANCE***

Product Information Packet

EWDM3714T

10HP,1770RPM,3PH,60HZ,215T,3752M,TEFC,F1

Part Detail							
Revision:	L	Status:	PRD/A	Change #:		Proprietary:	No
Type:	AC	Prod. Type:	3752M	Elec. Spec:	37WGS518	CD Diagram:	CD0005
Enclosure:	TEFC	Mfg Plant:		Mech. Spec:	37H451	Layout:	37LYH451
Frame:	215T	Mounting:	F1	Poles:	04	Created Date:	04-29-2010
Base:	RG	Rotation:	R	Insulation:	F	Eff. Date:	05-26-2016
Leads:	9#14					Replaced By:	
Literature:		Elec. Diagram:					

Nameplate NP1669L										
CAT.NO.	EWDM3714T									
SPEC.	37H451S518G1									
HP	10									
VOLTS	230/460									
AMP	24/12									
RPM	1770									
FRAME	215T				HZ	60			PH	3
SER.F.	1.15		CODE	K	DES	A		CLASS	F	
NEMA-NOM-EFF	91.7		PF	85						
RATING	40C AMB-CONT									
CC	010A				USABLE AT 208V					
DE	6307			ODE	6206					
ENCL	TEFC		SN							
BLANK										

Parts List		
Part Number	Description	Quantity
SA194360	SA 37H451S518G1	1.000 EA
RA181950	RA 37H451S518G1	1.000 EA
37FN3002C01	EXFN, PLASTIC, 6.00 OD, 1.155 ID	1.000 EA
HW3200A01	3/8-16X3/4 I-BLT WELDED F/S	1.000 EA
37CB3005A04W	CASTING W/.75 NPT@6(MACH WHITE)	1.000 EA
37GS1025	37 MOLDED GASKET W/LIP, LEAD SEAL	1.000 EA
51XW2520A12	.25-20 X .75, TAPTITE II, HEX WSHR SLTD	2.000 EA
HA5027A01	HA4066A01 T-DRAIN X2 BAGGED	1.000 EA
11XW1032G06	10-32 X .38, TAPTITE II, HEX WSHR SLTD U	1.000 EA
37EP3101A94MW	FRONT TEFC L&M 206 BRG W/O GR SR (WHITE)	1.000 EA
HW4032A01	BLACK DRAIN PLUG FOR WASH DOWN MOTORS	3.000 EA
HW5100A06	W2420-025 WVY WSHR (WB)	1.000 EA
37EP3100A20MW	FRONT ENDPLATE, MACHINED W/WHITE EPOXY	1.000 EA
HW4032A01	BLACK DRAIN PLUG FOR WASH DOWN MOTORS	3.000 EA
HW4600B51	SEAL 1.375 X 2.125 X 0.313 SINGLE LIP DB	1.000 EA
XY3118S12	5/16-18 HEX NUT, STAINLESS STEEL	4.000 EA
51XB1214A20	12-14X1.25 HXWSSLD SERTYB	1.000 EA
07FH4011	WASHDOWN IEC FH W/PRIMED	1.000 EA
11XW1032S06	SCREW, HXWSHR HD SLDTYF 410 SS	3.000 EA
37CB4512	CONDUIT BOX LID FOR WASHDOWN 37 FRAME	1.000 EA
37GS1008A02	37 GS FOR CB LID - WHITE NEOPRENE	1.000 EA
59XN0832S07	8/32 X 7/16 HX WS HD SER X	4.000 EA
HW4600B74	V-RING SLINGER 1.125 X 1.445 X .24 VITON	1.000 EA
HW4600B31SP	V-RING SLINGER 1.438 X 1.758 X .24 VITON	1.000 EA

Parts List (continued)		
Part Number	Description	Quantity
HW2502F21	#303 SS,SQ KEY 5/16 X 2.375	1.000 EA
HA7000A02	KEY RETAINER RING, 1 1/8 DIA, 1 3/8 DIA	1.000 EA
MJ5001A27	32220KN GRAY SEALER *MIN BUY 4 QTS=1GAL	0.001 QT
85XU0407S04	4X1/4 U DRIVE PIN STAINLESS	2.000 EA
LB1115N	LABEL,LIFTING DEVICE (ON ROLLS)	1.000 EA
LB1164	LABEL,WARNING AND DRAIN	1.000 EA
MJ1000A02	GREASE, POLYREX EM EXXON (USe 4824-15A)	0.050 LB
MG1025Z02	ACTIVATOR WILKOFAS 060.02HF	0.010 GA
MG1025W01	WILKOFAS 781.01, SIGNAL WHITE #9003	0.028 GA
HA3104S25	THRUBOLT-5/16-18X14.75 SS	4.000 EA
LC0005	CONN.DIA.,TY M,9-LD,DUAL VOLT,REVERSING	1.000 EA
NP1669L	SS WD SUPER-E UL CSA-EEV PREM REV MTG	1.000 EA
37PA1039	PALLET PACK GRP, PRINT PK1026A06	1.000 EA
MN416A01	TAG-INSTAL-MAINT no wire (1000/bx) 11/14	1.000 EA

Accessories		
Part Number	Description	Multiplier
37-3301	C FACE KIT	P1

AC Induction Motor Performance Data

Record # 58673 - Typical performance - not guaranteed values

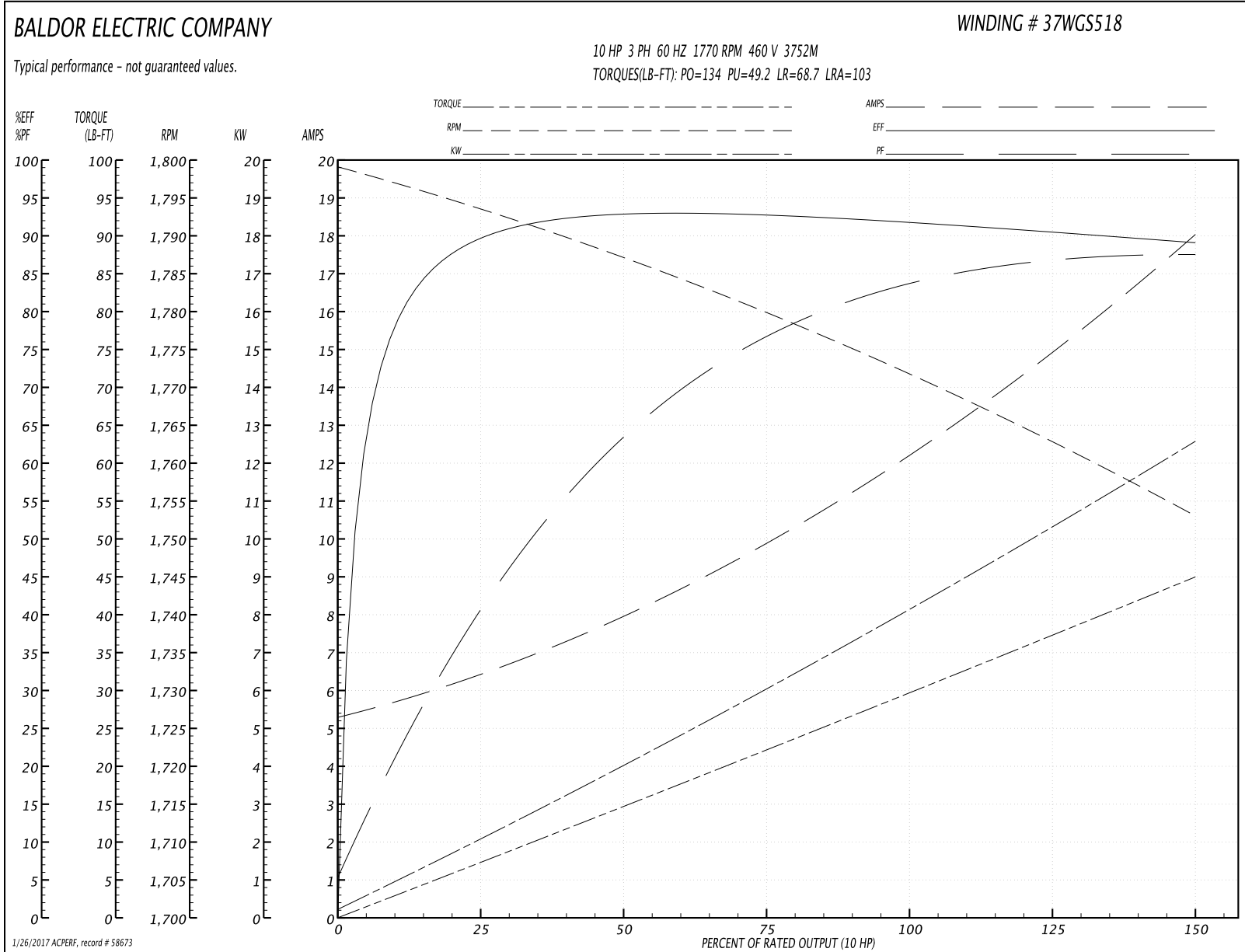
Winding: 37WGS518-R004	Type: 3752M	Enclosure: TEFC
-------------------------------	--------------------	------------------------

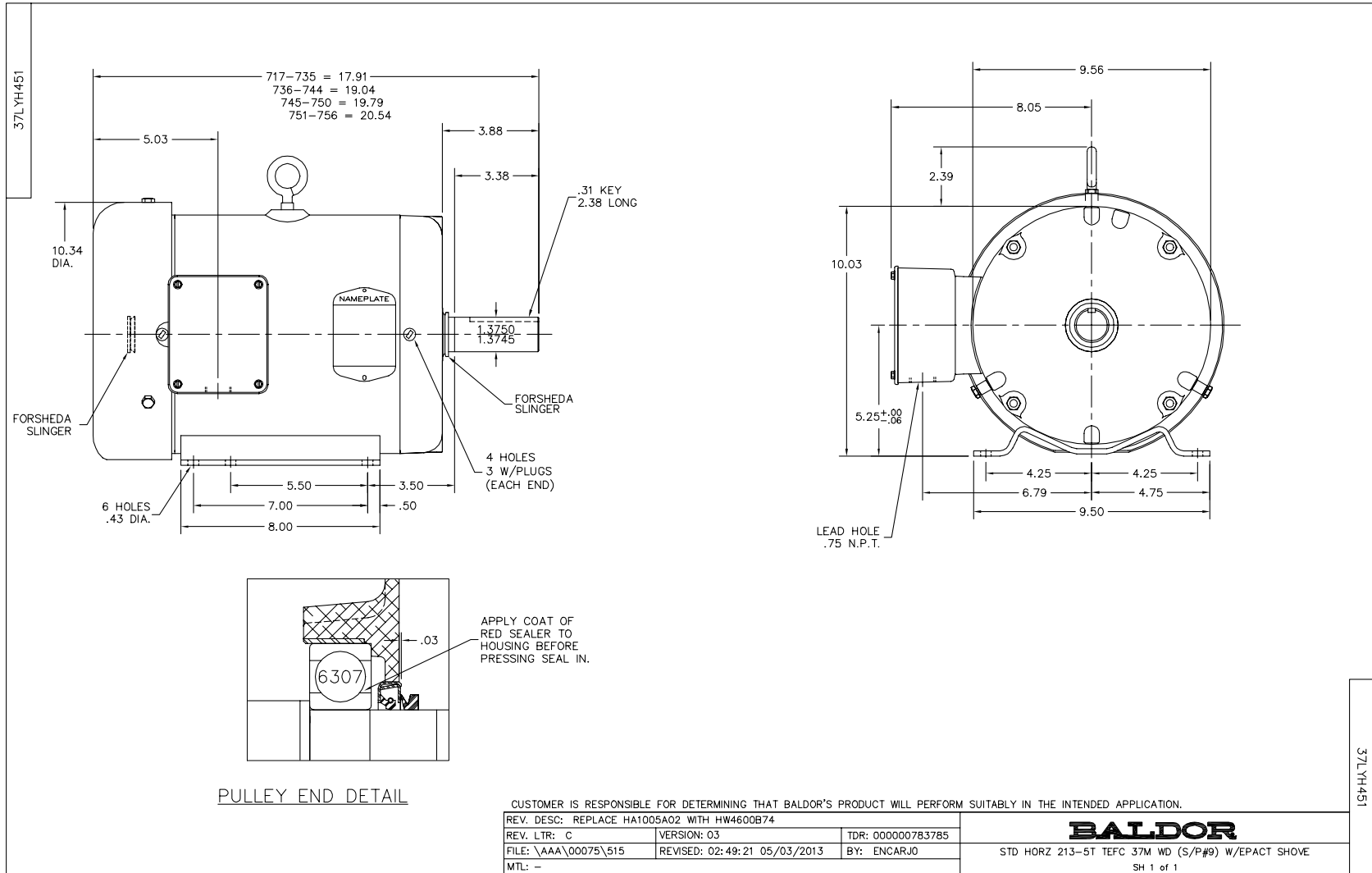
Nameplate Data				460 V, 60 Hz: High Voltage Connection	
Rated Output (HP)	10			Full Load Torque	29.5 LB-FT
Volts	230/460			Start Configuration	direct on line
Full Load Amps	24/12			Breakdown Torque	134 LB-FT
R.P.M.	1770			Pull-up Torque	49.2 LB-FT
Hz	60	Phase	3	Locked-rotor Torque	68.7 LB-FT
NEMA Design Code	A	KVA Code	K	Starting Current	103 A
Service Factor (S.F.)	1.15			No-load Current	5.49 A
NEMA Nom. Eff.	91.7	Power Factor	85	Line-line Res. @ 25°C	0.937 Ω
Rating - Duty	40C AMB-CONT			Temp. Rise @ Rated Load	63°C
S.F. Amps				Temp. Rise @ S.F. Load	77°C
				Locked-rotor Power Factor	35.5
				Rotor inertia	1.28 LB-FT ²

Load Characteristics 460 V, 60 Hz, 10 HP

% of Rated Load	25	50	75	100	125	150	S.F.
Power Factor	42	64	76	82	86	88	84
Efficiency	88.6	92.4	92.7	92	90.8	88.9	91.3
Speed	1794	1787	1780	1772	1763	1753	1767
Line amperes	6.14	7.8	9.9	12.3	15	17.9	13.9

Performance Graph at 460V, 60Hz, 10.0HP Typical performance - Not guaranteed values





CD0005



LOW VOLTAGE
(2Y)



LINE

HIGH VOLTAGE
(1Y)



LINE

NOTES:

1. INTERCHANGE ANY TWO LINE LEADS TO REVERSE ROTATION.
2. OPTIONAL THERMOSTATS ARE PROVIDED WHEN SPECIFIED.
3. ACTUAL NUMBER OF INTERNAL PARALLEL CIRCUITS MAY BE A MULTIPLE OF THOSE SHOWN ABOVE.
4. LEAD COLORS ARE OPTIONAL. LEADS MUST ALWAYS BE NUMBERED AS SHOWN.

REV. DESC: REVISE TO SHOW OPTIONAL COLORS

REV. LTR: E BY: JLP

REVISED: 01/19/99 10:15

TDR: 0171435

90000

FILE: AAA00005140

MDL: -

MTL: -

BALDOR ELECTRIC Co.

3PH, DV, 9 LEADS

CD0005