

# **BALDOR**® • **RELIANCE**

## **Product Information Packet**

# **IDGM3302**

**G.M. F24UF 230V AC 57.5 RPM 30:1**

Part Detail							
Revision:	H	Status:	PRD/A	Change #:		Proprietary:	No
Type:	AC	Prod. Type:	3324M	Elec. Spec:	33WGX053	CD Diagram:	CD0006A16
Enclosure:	TEFC	Mfg Plant:		Mech. Spec:		Layout:	33E282X053G2
Frame:	JH	Mounting:		Poles:	04	Created Date:	11-08-2013
Base:		Rotation:	R	Insulation:	F	Eff. Date:	09-28-2016
Leads:	3#18					Replaced By:	
Literature:		Elec. Diagram:					

Nameplate NP1598A14							
CAT.NO.	IDGM3302	SER.NO					
SPEC.	33E282X053G2						
VOLTS	230						
MAG CUR	1.56	SL HZ	2.5				
RPM	1725	RPM MAX	2664				
HP	.5HP	HZ	60	PH	3	CLASS	F
FLA	1.97	WK2	0.023				
RATING	40C AMB-CONT						
RATIO	30:1		OUT/RPM	57.5			
TORQ/IN LB	355						
CTSR	6:1						
APRV-CSA	<input type="checkbox"/>	APRV-UL	<input type="checkbox"/>				

Parts List		
Part Number	Description	Quantity
SA272897	SA 33E282X053G2	1.000 EA
RA259502	RA 33E282X053G2	1.000 EA
SR002269	SR 33E282X053G2	1.000 EA
LC0006	CONNECTION LABEL	1.000 EA
33EP3300A22	EP,33AC DE CL 6203 42C	1.000 EA
WM0055A15	WORM,JH 30.0 INP PINNED ON (918 GEOMET	1.000 EA
MJ5019A01	ADHESIVE LOCTITE #680 WAS BAD4525	0.010 EA
34GS1029A01	GASKET, CONDUIT BOX	1.000 EA
34CB3002C	CB CAST W/.69 DIA HOLE	1.000 EA
51XB1016A07	10-16 X 7/16 HXWSSLD SERTYB	2.000 EA
11XW1032G06	10-32X3/8 HX WSHR HD,SLTDTYPE 23,GREEN	1.000 EA
34GS1031A01	GASKET, FLAT CONDUIT BOX LID (LEXIDE)	1.000 EA
34CB4517	CB LID 4 MTG HOLES .22 DIA STAMPED, FOR	1.000 EA
51XT0832A08	8-32 X 1/2 TY23 HXWS SLDSR	4.000 EA
33EP3100A01SP	EP,33AC ODE GP 6203 TEFC W/DRAIN	1.000 EA
HW5109A05	WASHER, WAVE SPRING FOR 40MM BORE SMALLE	1.000 EA
HA3100A13	THRUBOLT 10-32 X 7.750	2.000 EA
51XN1032A16	10-32 X 1.000 HX WS SL SR	2.000 EA
33FN3000SP	EXTERNAL FAN, PLASTIC	1.000 EA
HW1003A08	WASHER, #8 EX TH LK, ZN (F/S)	1.000 EA
33FH4000A01SP	FAN COVER, STAMPED	1.000 EA
51XW1032A06	10-32 X .38, TAPTITE II, HEX WSHR SLTD S	3.000 EA
HA6032A04	ADAPTER, MACH F/BOEHM MACH'D. FOR SEAL	1.000 EA
10XN2520A16	1/4-20 X 1 HEX HEAD CAP SCR, ZINC PLATED	4.000 EA

Parts List (continued)		
Part Number	Description	Quantity
HW1001A25	LOCKWASHER 1/4, ZINC PLT .493 OD, .255 I	4.000 EA
HW4600B91	SEAL, TCM #06132TB .625X1.375X.252	1.000 EA
RM1057	RUBBER SQUARE RING 1.424 I.D.	1.000 EA
HG0039A04	HSG,JK EX CLOSED	1.000 EA
19XN1032A12	SCREW, HEX WASHER HEAD, #10-32 X .750	4.000 EA
HA1194B01	BLADDER,CJK EXPANSION	1.000 EA
HA4021A05	1/16 NPSF-HX SOC PIPE PLUG TAPER DRY SEA	1.000 EA
15XM0632A06	SCREW, 6-32X .375, THREAD FORMING	3.000 EA
HW5109A10	WASHER, WAVE SPRING FOR 47MM BORE SMALLE	1.000 EA
BS0114A01	BS,JH OP 6204STD OPEN	1.000 EA
BG6204C03	6204 D.SH,C3,POLYREX EM	1.000 EA
HW5002A57	WALDES N5002-187 BEVELED 1.850	1.000 EA
60XM0832A08	SCREW, PAN TORX 8-32X.500 THREAD FORMING	4.000 EA
RM1020A21	O-RING,3.240 I.D. X .052 BUNA-N (NITRILE	1.000 EA
HW4600G71	SEAL, .750 X 1.250 X .250 SGL LIP FT802	1.000 EA
HW2501D10	KEY, 3/16 SQ X 1.000	1.000 EA
ME4000	.375-.75" DIA.#SW-04 WOVEN SHAFT PROTECT	0.125 FT
MJ1000B02	KLUB. GH6-460 GEAR OIL 1 GALLON	0.030 GA
MG1000G27	S-9282E MED CHARCOAL METALLIC GREY	0.010 GA
NP1598A14	NP,AC INV AD NONE V CSA UL GEAR MO	1.000 EA
MN416A01	TAG-INSTAL-MAINT no wire (1200/bx) 11/14	1.000 EA
LB1119N	WARNING LABEL	1.000 EA
CPA1001	PACKING GROUP OVERSIZED SINGLE	1.000 EA

**AC Induction Motor Performance Data**

Record # 45255 - Typical performance - not guaranteed values

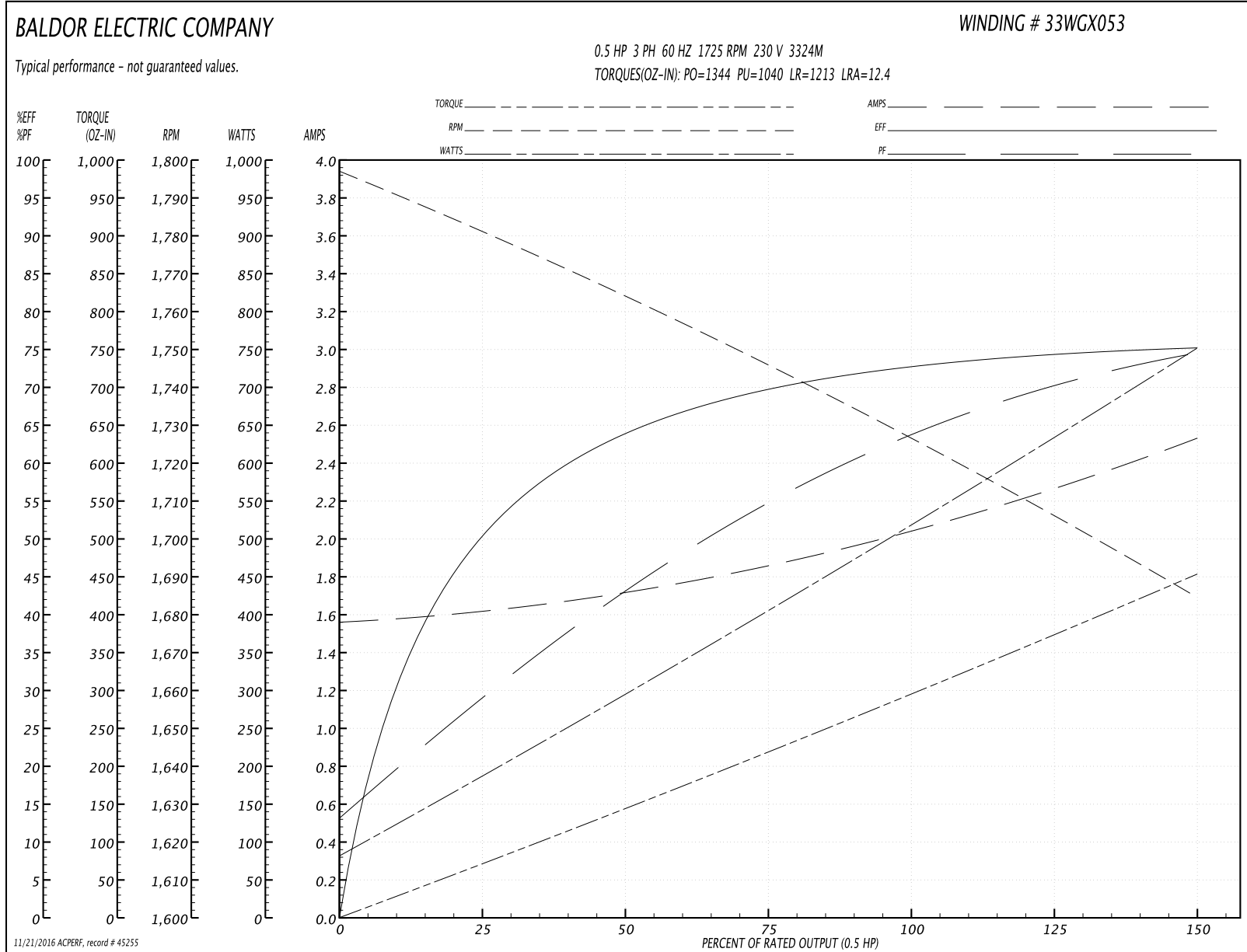
<b>Winding:</b> 33WGX053-R001	<b>Type:</b> 3324M	<b>Enclosure:</b> TEFC
-------------------------------	--------------------	------------------------

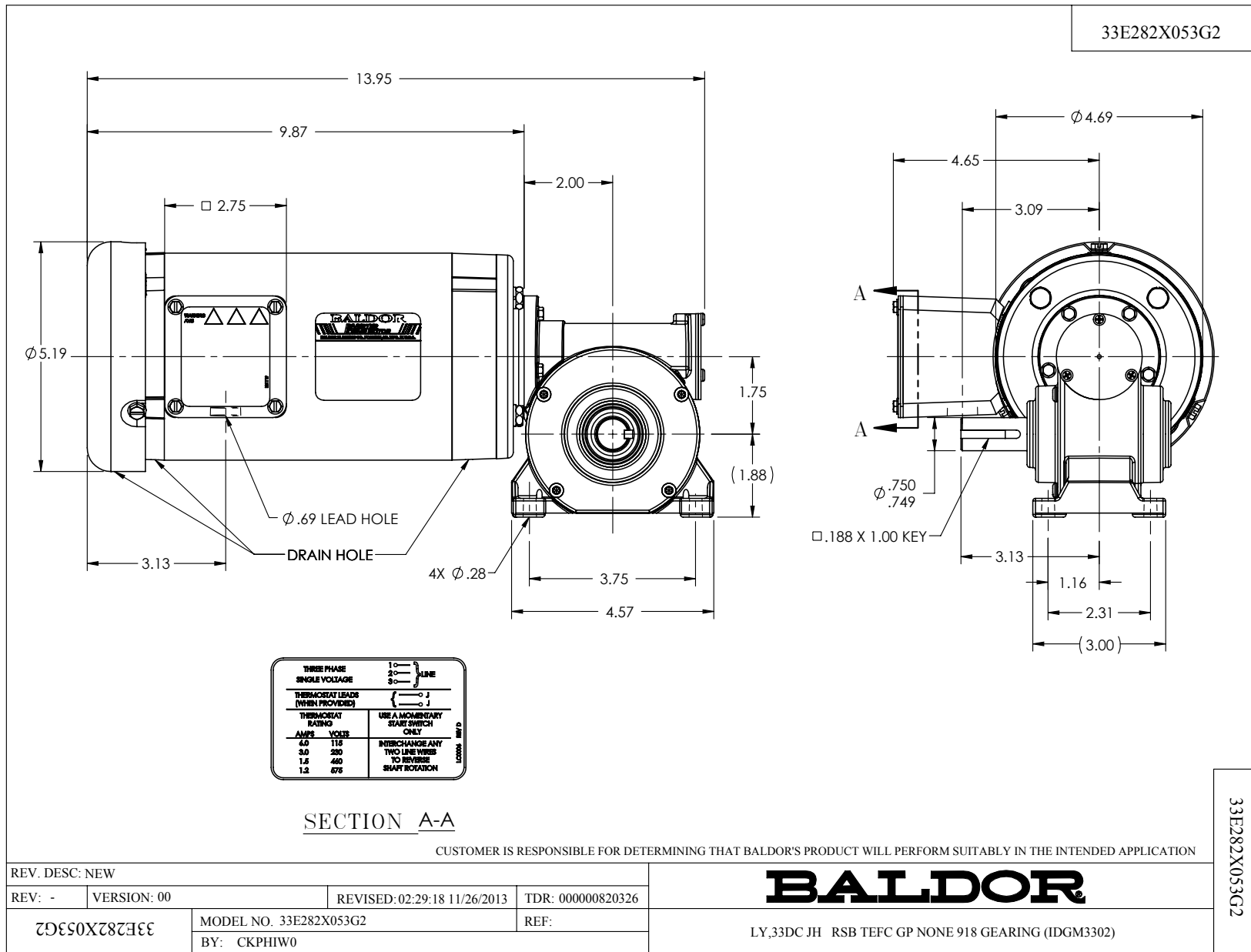
Nameplate Data				230 V, 60 Hz: Single Voltage Motor	
Rated Output (HP)	.5			Full Load Torque	294 OZ-IN
Volts	230			Start Configuration	direct on line
Full Load Amps	1.97			Breakdown Torque	1344 OZ-IN
R.P.M.	1725			Pull-up Torque	1040 OZ-IN
Hz	60	Phase	3	Locked-rotor Torque	1213 OZ-IN
NEMA Design Code	B	KVA Code	M	Starting Current	12.4 A
Service Factor (S.F.)	1			No-load Current	1.56 A
NEMA Nom. Eff.	72	Power Factor	62	Line-line Res. @ 25°C	7.9765 Ω
Rating - Duty	40C AMB-CONT			Temp. Rise @ Rated Load	
				Locked-rotor Power Factor	67
				Rotor inertia	51.7 LB-FT <sup>2</sup>

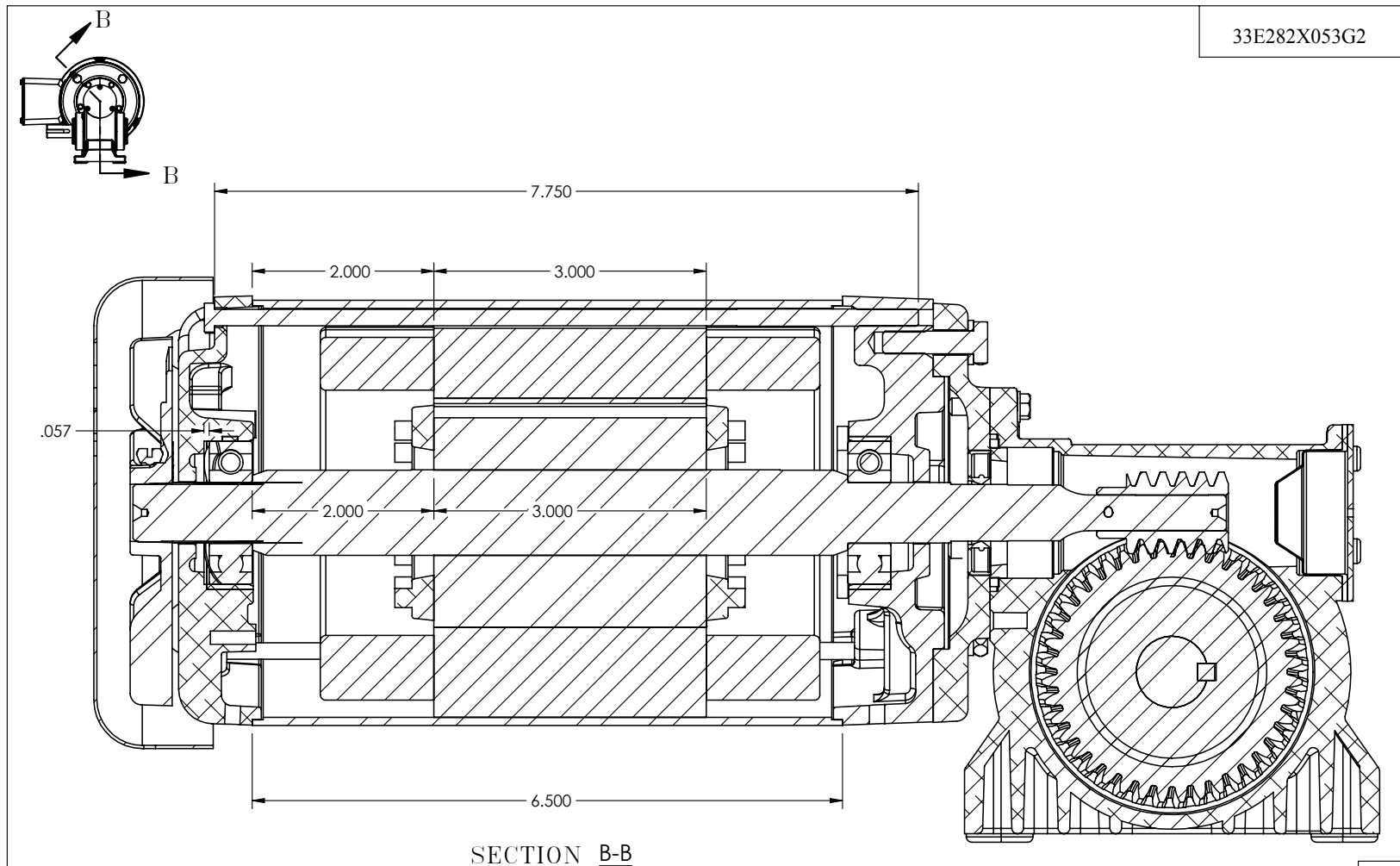
Load Characteristics 230 V, 60 Hz, 0.5 HP

% of Rated Load	25	50	75	100	125	150
Power Factor	32	43	54	63	70	75
Efficiency	49.1	65	69.7	73.3	74.5	75.1
Speed	1779	1762	1747	1728	1706	1684
Line amperes	1.63	1.71	1.86	2.04	2.27	2.53

Performance Graph at 230V, 60Hz, 0.5HP Typical performance - Not guaranteed values







SECTION B-B

CUSTOMER IS RESPONSIBLE FOR DETERMINING THAT BALDOR'S PRODUCT WILL PERFORM SUITABLY IN THE INTENDED APPLICATION

REV. DESC: NEW			
REV: -	VERSION: 00	REVISED: 02:29:18 11/26/2013	TDR: 00000820326
33E282X053G2	MODEL NO. 33E282X053G2		REF:
	BY: CKPHIW0		

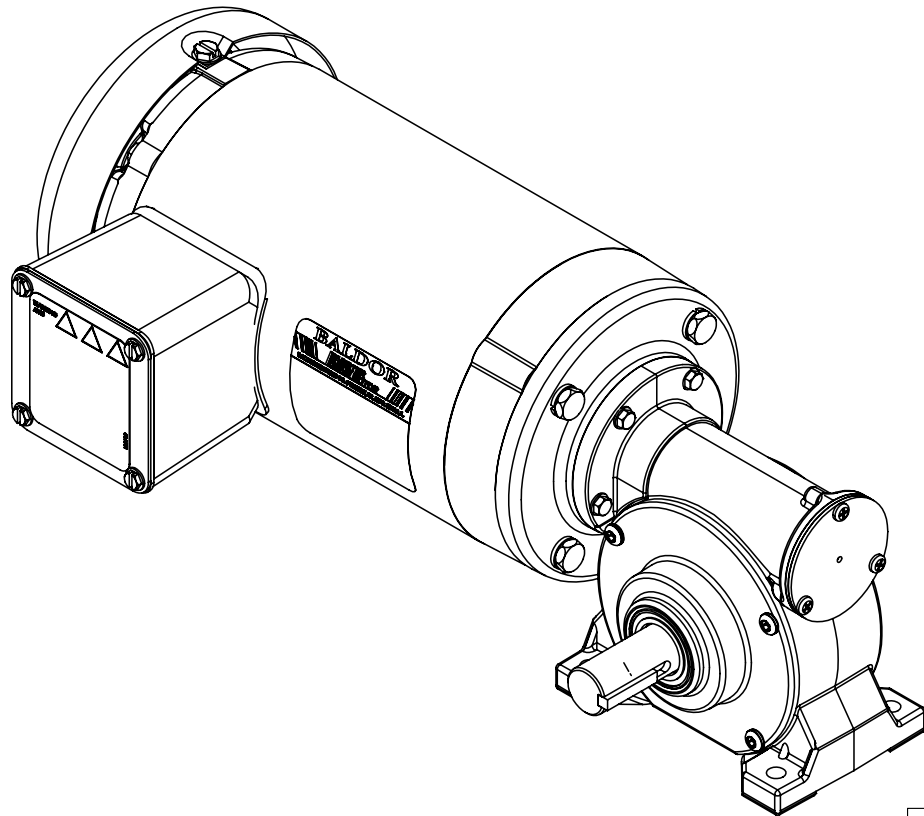
**BALDOR**

LY,33DC JH RSB TEFC GP NONE 918 GEARING (IDGM3302)

33E282X053G2

ITEM NO.	PART NUMBER	QTY.
1	33EP3300A22	1
2	BG6203C03	2
3	33SH1184B01	1
4	33RA4124A00A01	1
5	RB4003A01	1
6	WM0055A15	1
7	HW3081C06	1
8	33SA9200B52	1
9	NS2512A01	1
10	34GS1029A01	1
11	34CB3002C	1
12	51XB1016A07	2
13	11XW1032G06	1
14	34GS1031A01	1
15	34CB4517	1
16	51XT0832A07	4
17	33EP3100A01	1
18	HW5109A05	1
19	HA3100A13	2
20	51XN1032A16	2
21	33FN3000	1
22	12XN0832A16	1
23	HW1003A08	1
24	XY0832A02	1
25	33FH4000A01	1
26	51XB1016A06	3
27	HA6032A04	1
28	HW1001A25	4
29	10XN2520A16	4
30	HW4600B91	1
31	RM1057	1
32	HG0039A04	1
33	HA4021A05	1
34	19XN1032A12	4
35	HA1194B01	1
36	15XM0632A06	3
37	SH0104A43	1
38	GE0082A03	1
39	HW2501D06	1
40	HA2264A02	1
41	BG6204	2
42	HW5109A10	1
43	BS0114A01	1
44	RM1020A21	1
45	HW5002A57	1
46	HW4600D39	1
47	60XM0832A08	4
48	HW2501D10	1
49	NP1598A14	1
50	LC0006	1
51	LB1119	1

33E282X053G2



33E282X053G2

CUSTOMER IS RESPONSIBLE FOR DETERMINING THAT BALDOR'S PRODUCT WILL PERFORM SUITABLY IN THE INTENDED APPLICATION

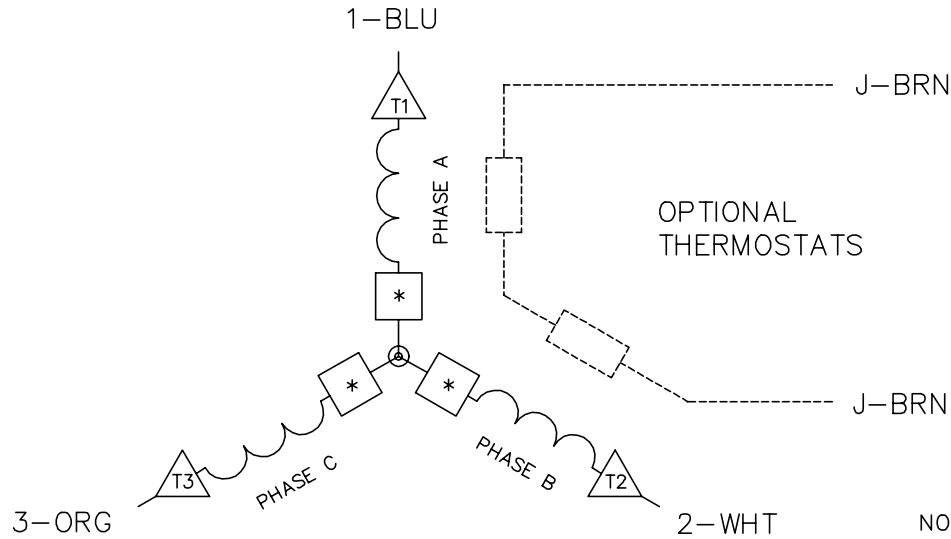
REV. DESC: NEW			
REV: -	VERSION: 00	REVISED: 02:29:18 11/26/2013	TDR: 000000820326
33E282X053G2		MODEL NO. 33E282X053G2	REF:
		BY: CKPHIW0	

**BALDOR**



LY,33DC JH RSB TEFC GP NONE 918 GEARING (IDGM3302)

CD0006A16

TYPICAL WYE-CONNECTED MOTOR



NOTES:

1. THREE LEAD MOTOR MAY BE EITHER WYE CONNECTED OR DELTA CONNECTED.
2. INTERCHANGE ANY TWO LINE LEADS TO REVERSE ROTATION.
3. OPTIONAL THERMOSTATS ARE PROVIDED WHEN SPECIFIED.
4. ACTUAL NUMBER OF INTERNAL PARALLEL CIRCUITS MAY VARY.
5. LEAD COLORS ARE OPTIONAL. LEADS MUST BE NUMBERED AS SHOWN.
6.  = MAGNET WIRE COIL END WITH I.D. NUMBER.  
 = MAGNET WIRE COIL END WITH I.D. SYMBOL.
7. REFERENCE CW PRINT FOR NEST TO NEST CROSSOVER CONNECTIONS.

CD0006A16

REV. DESC: REMOVE DELTA CONNECTION		
REV. LTR: C	VERSION: 03	TDR: 000000977108
FILE: \CKA\00024\426	REVISED: 09:42:02 08/16/2016	BY: CKPAUDO
MTL: -	© □	

**BALDOR**

3PH, SV, 3 LEADS, WYE CONNECTED, CK

SH 1 of 1