

BALDOR® • ***RELIANCE***

Product Information Packet

M1224T

5/2.2HP, 1725/1140RPM, 3PH, 60HZ, 215T, 3735M

Part Detail							
Revision:	Y	Status:	PRD/A	Change #:		Proprietary:	No
Type:	AC	Prod. Type:	3735M	Elec. Spec:	37WGW023	CD Diagram:	CD0013
Enclosure:	OPEN	Mfg Plant:		Mech. Spec:	37B001	Layout:	37LYB001
Frame:	215T	Mounting:	F1	Poles:	04/06	Created Date:	
Base:	RG	Rotation:	R	Insulation:	F	Eff. Date:	06-30-2015
Leads:	6#14					Replaced By:	
Literature:		Elec. Diagram:					

Nameplate NP1256L										
CAT.NO.	M1224T									
SPEC.	37B01W23									
HP	5/2.2									
VOLTS	460									
AMP	6.4/3.5									
RPM	1725/1140									
FRAME	215T				HZ	60			PH	3
SER.F.	1.15			CODE	J	DES	B		CLASS	F
NEMA-NOM-EFF					PF					
RATING	40C AMB-CONT									
CC					USABLE AT 208V					
DE	6307				ODE	6206				
ENCL	OPEN			SN						

Parts List		
Part Number	Description	Quantity
SA030351	SA 37B01W23	1.000 EA
RA026392	RA 37B01W23	1.000 EA
HW3200A01	3/8-16X3/4 I-BLT WELDED F/S	1.000 EA
37CB3006	37 CB CASTING W/1.38 LEAD HOLE @ 6:00	1.000 EA
51XW2520A12	.25-20 X .75, TAPTITE II, HEX WSHR SLTD	2.000 EA
11XW1032G06	10-32 X .38, TAPTITE II, HEX WSHR SLTD U	1.000 EA
37EP3200A01SP	FR ENDPLATE, FOR ROUTING PURPOSES	1.000 EA
HW4500A01	1641B(ALEMITE)400 UNIV, GREASE FITT	1.000 EA
HW5100A06	W2420-025 WVY WSHR (WB)	1.000 EA
37PE3201A01	PU ENDPLATE ASSEMBLY FOR ROUTING	1.000 EA
HW4500A01	1641B(ALEMITE)400 UNIV, GREASE FITT	1.000 EA
XY3118A12	5/16-18 HEX NUT DIRECTIONAL SERRATION	4.000 EA
37CB4516	LIPPED LID FOR 37 FRAME NEC KOBX	1.000 EA
51XW0832A07	8-32 X .44, TAPTITE II, HEX WSHR SLTD SE	4.000 EA
HW2501F21	KEY, 5/16 SQ X 2.375	1.000 EA
HA7000A02	KEY RETAINER RING, 1 1/8 DIA, 1 3/8 DIA	1.000 EA
85XU0407S04	4X1/4 U DRIVE PIN STAINLESS	2.000 EA
LB1115N	LABEL,LIFTING DEVICE (ON ROLLS)	1.000 EA
MJ1000A02	GREASE, POLYREX EM EXXON (USe 4824-15A)	0.050 LB
MG1000G27	MED CHARCOAL METALLIC GREY 400-0096	0.028 GA
HA3104A14	THRUBOLT- 5/16-18 X12.125(OHIO)	4.000 EA
LB1119N	WARNING LABEL	1.000 EA
LC0013	CONNECTION LABEL	1.000 EA
NP1256L	ALUM UL CSA CC	1.000 EA

Parts List (continued)		
Part Number	Description	Quantity
36PA1001	PKG GRP, PRINT PK1017A06	1.000 EA
MN416A01	TAG-INSTAL-MAINT no wire (1200/bx) 11/14	1.000 EA

Accessories		
Part Number	Description	Multiplier
37-1404	C FACE KIT	A8

AC Induction Motor Performance Data

Record # 37310 - Typical performance - not guaranteed values

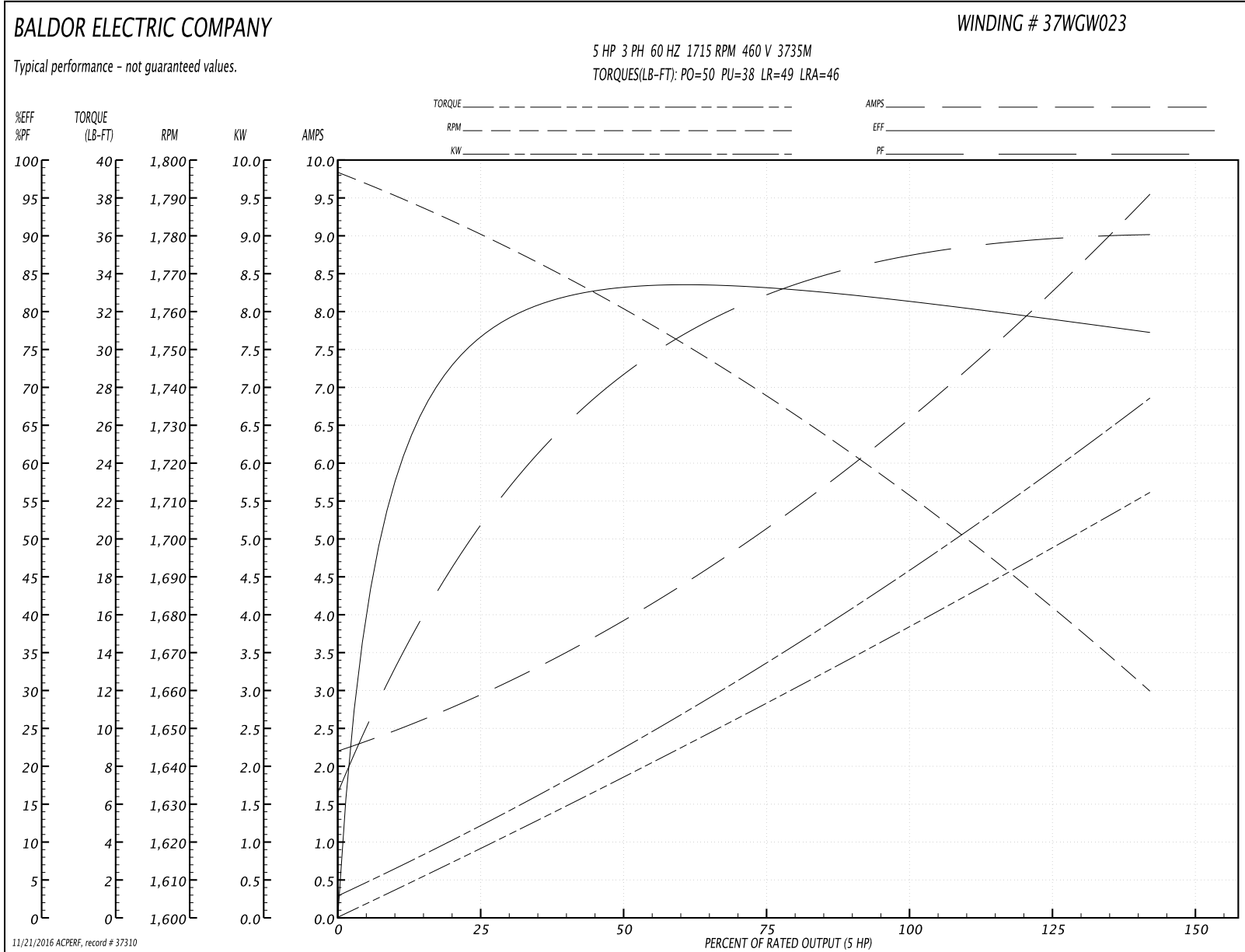
Winding: 37WGW023-R002	Type: 3735M	Enclosure: OPEN
-------------------------------	--------------------	------------------------

Nameplate Data				460 V, 60 Hz: High Speed Connection	
Rated Output (HP)	5/2.2			Full Load Torque	15 LB-FT
Volts	460			Start Configuration	direct on line
Full Load Amps	6.4/3.5			Breakdown Torque	50 LB-FT
R.P.M.	1725/1140			Pull-up Torque	38 LB-FT
Hz	60	Phase	3	Locked-rotor Torque	49 LB-FT
NEMA Design Code	B	KVA Code	J	Starting Current	46 A
Service Factor (S.F.)	1.15			No-load Current	2.3 A
NEMA Nom. Eff.	0	Power Factor	0	Line-line Res. @ 25°C	4.21 Ω
Rating - Duty	40C AMB-CONT			Temp. Rise @ Rated Load	57°C
S.F. Amps				Temp. Rise @ S.F. Load	70°C

Load Characteristics 460 V, 60 Hz, 5 HP

% of Rated Load	25	50	75	100	125	150	S.F.
Power Factor	56	73	81	86	88	91	87
Efficiency	76.3	82.4	83.2	81.6	80	76.9	80.6
Speed	1779	1759	1738	1715	1689	1658	1699
Line amperes	2.8	3.9	5.2	6.5	8	9.5	7.4

Performance Graph at 460V, 60Hz, 5.0HP Typical performance - Not guaranteed values



AC Induction Motor Performance Data

Record # 37311 - Typical performance - not guaranteed values

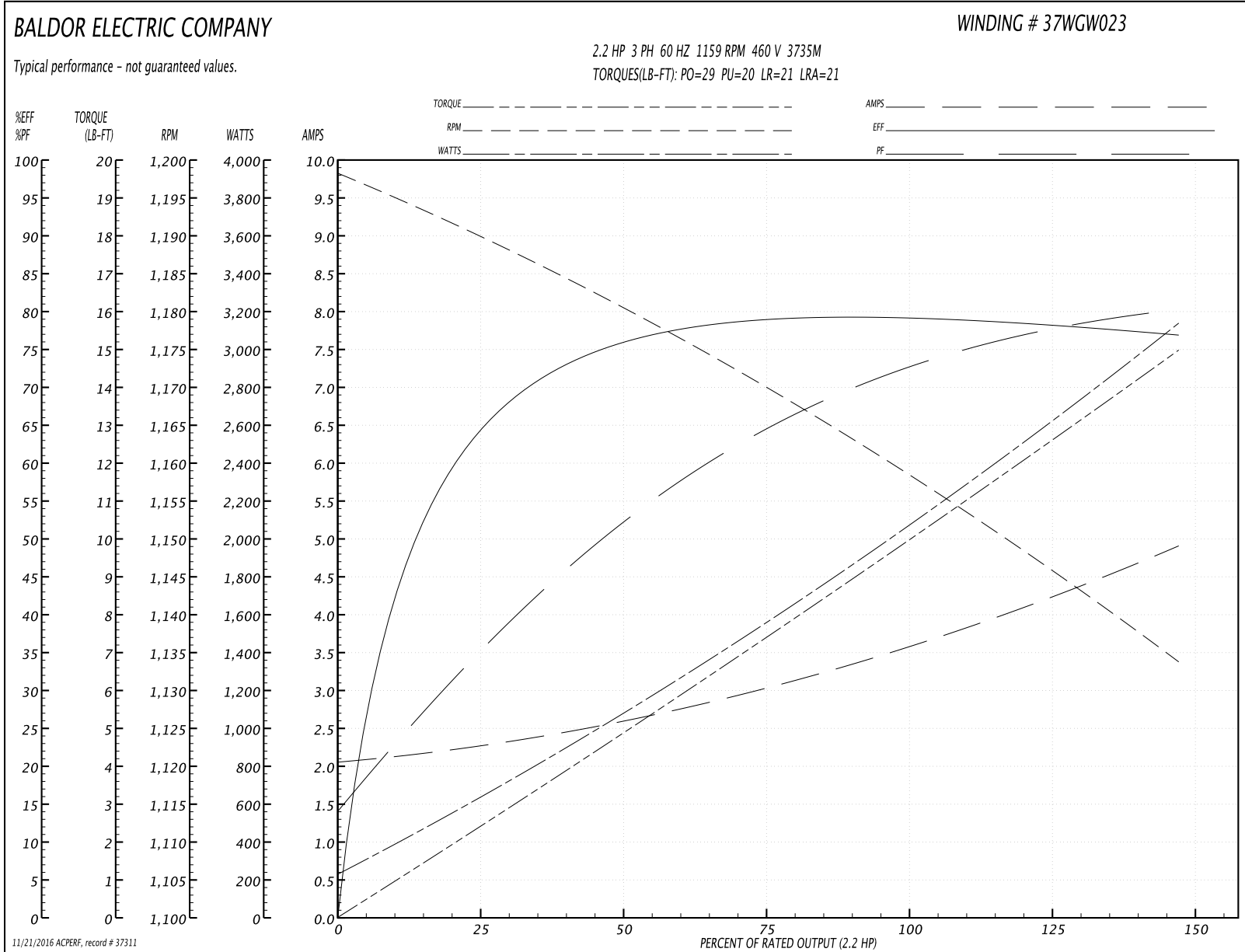
Winding: 37WGW023-R002	Type: 3735M	Enclosure: OPEN
-------------------------------	--------------------	------------------------

Nameplate Data				460 V, 60 Hz: Low Speed Connection	
Rated Output (HP)	5/2.2			Full Load Torque	10 LB-FT
Volts	460			Start Configuration	direct on line
Full Load Amps	6.4/3.5			Breakdown Torque	29 LB-FT
R.P.M.	1725/1140			Pull-up Torque	20 LB-FT
Hz	60	Phase	3	Locked-rotor Torque	21 LB-FT
NEMA Design Code	B	KVA Code	J	Starting Current	21 A
Service Factor (S.F.)	1.15			No-load Current	2.1 A
NEMA Nom. Eff.	0	Power Factor	0	Line-line Res. @ 25°C	8.36 Ω
Rating - Duty	40C AMB-CONT			Temp. Rise @ Rated Load	33°C
S.F. Amps				Temp. Rise @ S.F. Load	39°C

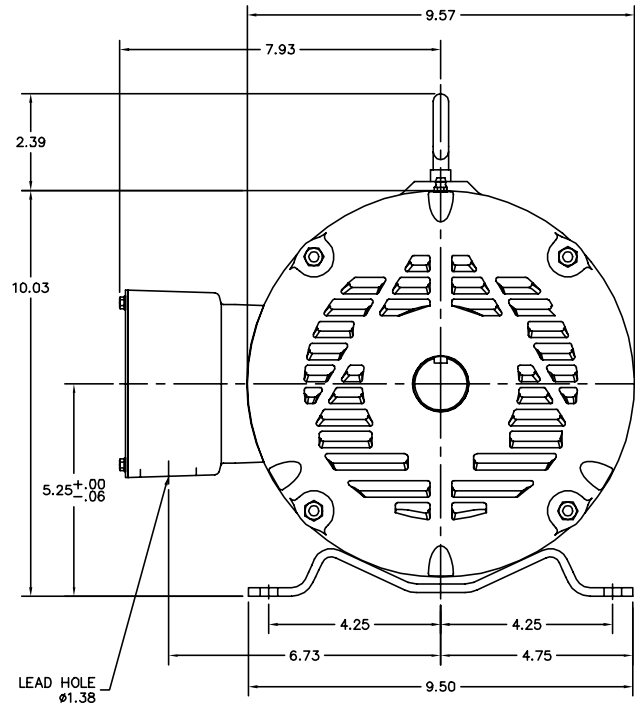
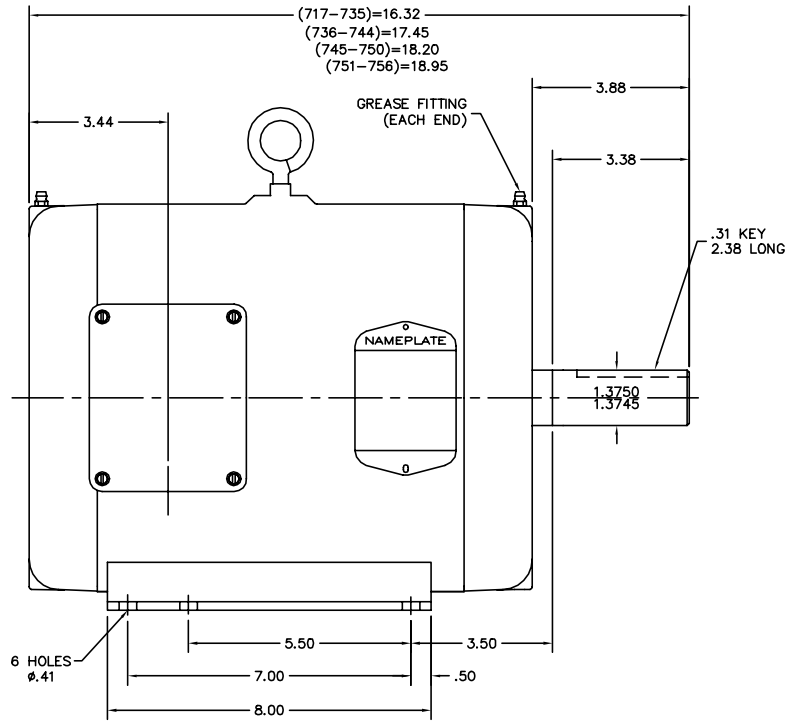
Load Characteristics 460 V, 60 Hz, 2.2 HP

% of Rated Load	25	50	75	100	125	150	S.F.
Power Factor	37	53	64	73	78	81	76
Efficiency	65.9	76.2	78.6	79.1	78.5	76.8	78.7
Speed	1189	1179	1170	1159	1147	1133	1152
Line amperes	2.2	2.6	3.1	3.6	4.2	4.9	3.96

Performance Graph at 460V, 60Hz, 2.2HP Typical performance - Not guaranteed values



37LYB001



CUSTOMER IS RESPONSIBLE FOR DETERMINING THAT MOTOR PERFORMANCE IS SUITABLE IN THE APPLICATION.

REV. DESC: ADDED KOBX LEAD HOLE DIM & UPDATED			
REV. LTR: L	BY: RMP	REVISED: 08:11:16 09/20/2004	TDR: 343763
FILE: AAA00002757		REF: 37LYB001	
MTL: -			

BALDOR ELECTRIC Co.

STANDARD HORZ NEMA 213T-215T OPEN 37M

37LYB001

