

BALDOR® • *RELIANCE*

Product Information Packet

OF3310T

10HP, 1125RPM, 3PH, 60HZ, 256T, 3938M, OPSB, F2

Part Detail							
Revision:	AD	Status:	PRD/A	Change #:		Proprietary:	No
Type:	AC	Prod. Type:	3938M	Elec. Spec:	39WGW461	CD Diagram:	CD0321
Enclosure:	OPSB	Mfg Plant:		Mech. Spec:	39L21	Layout:	39LYL021
Frame:	256T	Mounting:	F2	Poles:	06	Created Date:	
Base:	RG	Rotation:	R	Insulation:	B	Eff. Date:	09-01-2016
Leads:	12#12 ML4400b12		Y			Replaced By:	
Literature:		Elec. Diagram:					

Nameplate NP2961E											
CAT.NO.	OF3310T										
SPEC.	39L21W461										
HP	10										
VOLTS	230/460/796										
AMP	31.8/15.9/9.2										
RPM	1125										
FRAME	256T				HZ	60		PH	3		
SER.F.	1.00			CODE	H		DES	D		CLASS	B
NEMA-NOM-EFF	82.5			PF	71						
RATING	40C AMB-CONT										
CC								USABLE AT 208V			
DE	6309			ODE	6309						
ENCL	OPSB			SN							

Parts List		
Part Number	Description	Quantity
SA000532	SA 39L21W461	1.000 EA
RA000532	RA 39L21W461	1.000 EA
HA6361A01	LIFTING LUG FOR 37, 39 & 40 FRAME ZINC	2.000 EA
HA6016	ADAPTER, CAST CONDUIT BOX	1.000 EA
09CB1001A31	CONDUIT BOX, MACH 309 FRAME	1.000 EA
09GS1017	GASKET, CONDUIT BOX, .125 THICK BLACK NE	1.000 EA
51XW2520A12	.25-20 X .75, TAPTITE II, HEX WSHR SLTD	2.000 EA
HW1001A25	LOCKWASHER 1/4, ZINC PLT .493 OD, .255 I	2.000 EA
WD1000B17	T&B CX35TN TERMINAL	1.000 EA
10XN2520K08	1/4-20 X .50 GRADE #5, STL, ZINC PLATE	1.000 EA
HW1001A25	LOCKWASHER 1/4, ZINC PLT .493 OD, .255 I	1.000 EA
39EP1200A02	FR ENDPLATE, MACH	1.000 EA
HA4051A00	PLASTIC CAP FOR GREASE FITTING	1.000 EA
HA1103A01	RODENT SCREEN,309 FRAME, OPEN	1.000 EA
12XN0832A12	8-32 X 3/4 HEX HD SCREW	2.000 EA
XY0832A02	8-32 HEX NUT	2.000 EA
HW1000A08	#8 SAE FLAT WASHER	2.000 EA
12XN0832A06	8-32 X 3/8 HEX HD SCREW	1.000 EA
HW1000A08	#8 SAE FLAT WASHER	1.000 EA
12XN0832A12	8-32 X 3/4 HEX HD SCREW	2.000 EA
XY0832A02	8-32 HEX NUT	2.000 EA
HW1000A08	#8 SAE FLAT WASHER	2.000 EA
12XN0832A06	8-32 X 3/8 HEX HD SCREW	1.000 EA
HW1000A08	#8 SAE FLAT WASHER	1.000 EA

Parts List (continued)		
Part Number	Description	Quantity
HW5100A11	W3917-042 WVY WSHR (WB)	1.000 EA
10XN2520K28	1/4-20 X 1.75" HX HD SCRWGRADE 5, ZINC P	4.000 EA
HW1001A25	LOCKWASHER 1/4, ZINC PLT .493 OD, .255 I	4.000 EA
39EP1200A06	ENDPLATE MACH	1.000 EA
HA4051A00	PLASTIC CAP FOR GREASE FITTING	1.000 EA
HA1103A01	RODENT SCREEN,309 FRAME, OPEN	1.000 EA
XY3816A12	3/8-16 FINISHED NUT	8.000 EA
09CB1501A01	CONDUIT BOX LID, MACH	1.000 EA
09GS1001A01	GASKET, BOX LID, 1/8 THICK BLACK NEOPREN	1.000 EA
10XN2520K16	1/4-20 X 1" HX HD SCRW GRADE 5, ZINC P	2.000 EA
HW1001A25	LOCKWASHER 1/4, ZINC PLT .493 OD, .255 I	2.000 EA
HW2501G25	KEY, 3/8 SQ X 2.875	1.000 EA
LB1115N	LABEL,LIFTING DEVICE (ON ROLLS)	1.000 EA
HW4500A03	GREASE FITTING, .125 NPT 1610(ALEMITE) 8	1.000 EA
HW4500A17	317400 ALEMITE GREASE RELIEF	1.000 EA
MJ1000A02	GREASE, POLYREX EM EXXON (USe 4824-15A)	0.030 LB
HW4500A03	GREASE FITTING, .125 NPT 1610(ALEMITE) 8	1.000 EA
HW4500A17	317400 ALEMITE GREASE RELIEF	1.000 EA
MG1025G03	WILKOFASST, 789.901, OIL RIG SILVER	0.035 GA
85XU0407S04	4X1/4 U DRIVE PIN STAINLESS	2.000 EA
39AD2002A01	BAFFLE PLATE 39 OPEN, SLOTTED BAND MTRS	2.000 EA
HA3154A09	TB STUD 3/8-16 X 16.25	4.000 EA
LB1119N	WARNING LABEL	1.000 EA
LC0321	CONNECTION LABEL	1.000 EA

NP2961E	ALUM CSA CC	1.000 EA
39PA1000	PACKAGING GROUP 39 PRINT	1.000 EA
MN416A01	TAG-INSTAL-MAINT no wire (1200/bx) 11/14	4.000 EA

AC Induction Motor Performance Data

Record # 12761 - Typical performance - not guaranteed values

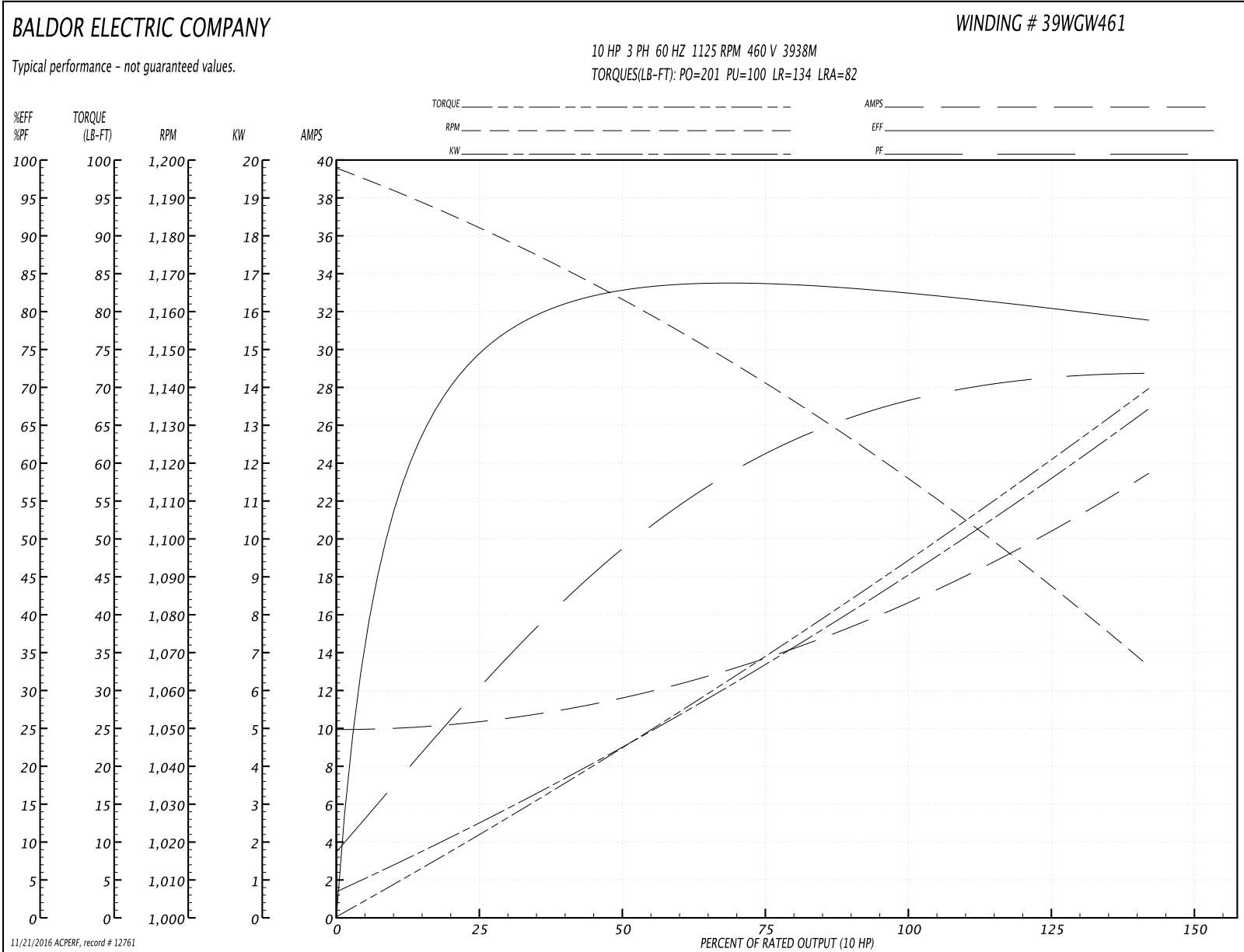
Winding: 39WGW461-R001	Type: 3938M	Enclosure: OPEN
-------------------------------	--------------------	------------------------

Nameplate Data				460 V, 60 Hz: 2nd Voltage Connection	
Rated Output (HP)	10			Full Load Torque	46.7 LB-FT
Volts	230/460/796			Start Configuration	direct on line
Full Load Amps	31.8/15.9/9.2			Breakdown Torque	201 LB-FT
R.P.M.	1125			Pull-up Torque	100 LB-FT
Hz	60	Phase	3	Locked-rotor Torque	134 LB-FT
NEMA Design Code	D	KVA Code	H	Starting Current	82 A
Service Factor (S.F.)	1			No-load Current	9.9 A
NEMA Nom. Eff.	82.5	Power Factor	71	Line-line Res. @ 25°C	1.039 Ω
Rating - Duty	40C AMB-CONT			Temp. Rise @ Rated Load	68°C

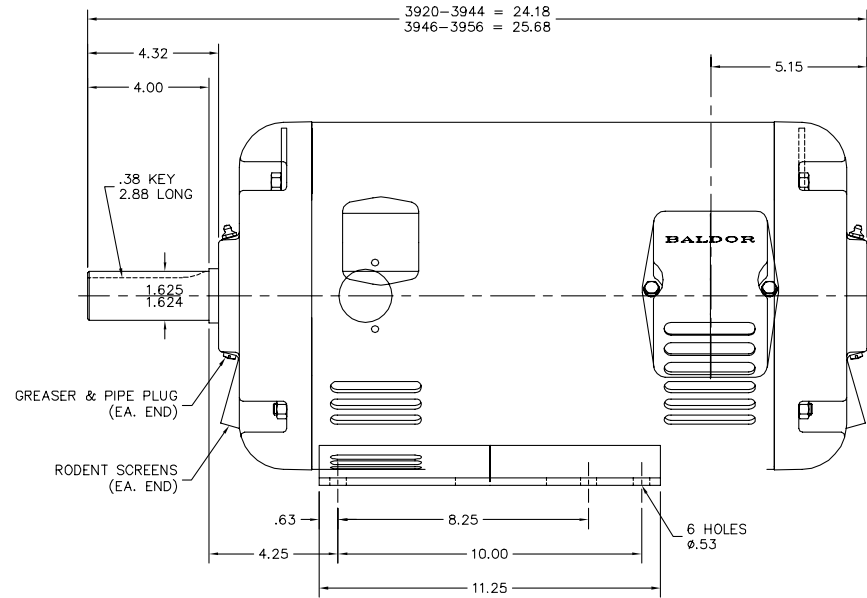
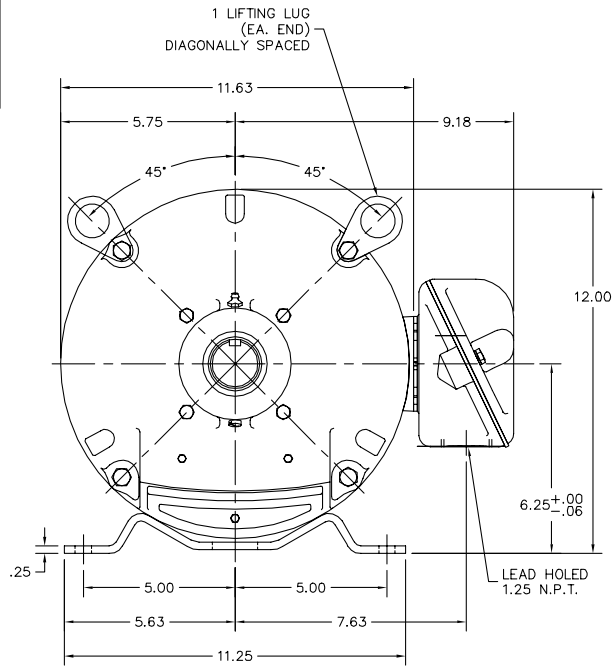
Load Characteristics 460 V, 60 Hz, 10 HP

% of Rated Load	25	50	75	100	125	150
Power Factor	32	50	61	69	71	72
Efficiency	73.3	82.2	83.7	83.1	81.1	78.5
Speed	1180	1161	1140	1118	1093	1065
Line amperes	10.4	11.8	13.9	16.3	19.9	23.5

Performance Graph at 460V, 60Hz, 10.0HP Typical performance - Not guaranteed values



39LYL021



39LYL021

CUSTOMER IS RESPONSIBLE FOR DETERMINING THAT BALDOR'S PRODUCT WILL PERFORM SUITABLY IN THE INTENDED APPLICATION.

REV. DESC: UPDATED DESCRIPTION		
REV. LTR: H	VERSION: 05	TDR: 000000854908
FILE: \AAA\00013\077	REVISED: 02:27:35 05/22/2014	BY: ENNINDO
MTL: -		

BALDOR

HORZ OPEN 254-6T F2 OFF MOTOR
SH 1 of 1

