

# **BALDOR® • RELIANCE**

## **Product Information Packet**

# **RL1310A277**

**1HP/1725RPM/1PH/OPEN/NEMA 56/56H**

Part Detail							
Revision:	AA	Status:	PRD/A	Change #:		Proprietary:	No
Type:	AC	Prod. Type:	3528L	Elec. Spec:	35WGX507	CD Diagram:	CD0085
Enclosure:	OPEN	Mfg Plant:		Mech. Spec:	35E410	Layout:	35LYE410
Frame:	56/56H	Mounting:	F1	Poles:	04	Created Date:	
Base:	RS	Rotation:	RS	Insulation:	B	Eff. Date:	04-11-2016
Leads:	5#18					Replaced By:	
Literature:		Elec. Diagram:					

Nameplate NP1257L	
CAT.NO.	RL1310A277
SPEC.	35E410X507
HP	1
VOLTS	277
AMP	5.4
RPM	1725
FRAME	56/56H
	HZ 60
	PH 1
SER.F.	1.15
	CODE H
	DES L
	CL B
NEMA-NOM-EFF	PF
RATING	40C AMB-CONT
CC	USABLE AT 208V
DE	6203
	ODE 6203
ENCL	OPEN
	SN

Parts List		
Part Number	Description	Quantity
SA024172	SA 35E410X507	1.000 EA
RA020222	RA 35E410X507	1.000 EA
EC1161C06SP	ELEC CAP, 161-193 MFD, 250V, 2.06D X 4.	1.000 EA
TP5059	GENERIC THERMAL KIT	1.000 EA
35CB4500SP	TERMINAL BOX LID STAMPED	1.000 EA
51XW0832A07	8-32 X .44, TAPTITE II, HEX WSHR SLTD SE	2.000 EA
53XT0832G07	8-32X7/16 PN STD SR TY23G X	1.000 EA
LD5000A01	LEAD ASSY, ML1400DF14 7" RING TRM EA END	1.000 EA
51XW1032A06	10-32 X .38, TAPTITE II, HEX WSHR SLTD S	2.000 EA
HW1003A10	WASHER, #10 EX TH LK, ZN X	2.000 EA
35EP3202A01	STD OPEN FR EP - RESILIENT MTD	1.000 EA
51XW0832A07	8-32 X .44, TAPTITE II, HEX WSHR SLTD SE	3.000 EA
RM1000A02	CUSHION RING, MODEL 35 SAME AS A07	1.000 EA
HA6005A01	CLAMP, BASE	2.000 EA
12XN1032A18	10-32 X 1 1/4 HEX HD SLTD	1.000 EA
XY1032A02	10-32 HEX NUT DIRECTIONAL SERRATION	1.000 EA
XY1032A02	10-32 HEX NUT DIRECTIONAL SERRATION	1.000 EA
NS2501A01	INSULATOR, CAPACITOR	1.000 EA
51XB1016A05	10-16X5/16HX WA SL SR TYB (F/S)	2.000 EA
HW5100A03SP	WAVY WASHER (W1543-017)	1.000 EA
35EP3203A01	STD PU EP, OPEN RESIL MTG	1.000 EA
RM1000A02	CUSHION RING, MODEL 35 SAME AS A07	1.000 EA
HA6005A01	CLAMP, BASE	2.000 EA
12XN1032A18	10-32 X 1 1/4 HEX HD SLTD	1.000 EA

<b>Parts List (continued)</b>		
<b>Part Number</b>	<b>Description</b>	<b>Quantity</b>
XY1032A02	10-32 HEX NUT DIRECTIONAL SERRATION	4.000 EA
HW2501D13	KEY, 3/16 SQ X 1.375	1.000 EA
HA7000A04	KEY RETAINER 0.625 DIA SHAFTS	1.000 EA
85XU0407S04	4X1/4 U DRIVE PIN STAINLESS	2.000 EA
WD4100A01	DP-875 HEYCO PLUG OR 62MP0875 MICRO PLAS	1.000 EA
MJ1000A02	GREASE, POLYREX EM EXXON (USe 4824-15A)	0.050 LB
MG1000G27	MED CHARCOAL METALLIC GREY 400-0096	0.017 GA
35BA4002B01	RESILIENT BASE, STAMPED	1.000 EA
35CB4802A02SP	CAPACITOR COVER, STAMPED X	1.000 EA
SP5066A01	MODEL 35 TERMINAL PANEL SWITCH WITH LEAD	1.000 EA
HA3100A18	THRUBOLT 10-32 X 9.250	4.000 EA
LB1118	LABEL,WARNING (ROLL LABEL)	1.000 EA
LC0085	CONNECTION LABEL	1.000 EA
NP1257L	ALUM UL CSA CC THERMAL REV MTG	1.000 EA
35PA1066	PKG GRP, PRINT PK1008A06	1.000 EA
MN416A01	TAG-INSTAL-MAINT no wire (1200/bx) 11/14	1.000 EA

**AC Induction Motor Performance Data**

Record # 10021 - Typical performance - not guaranteed values

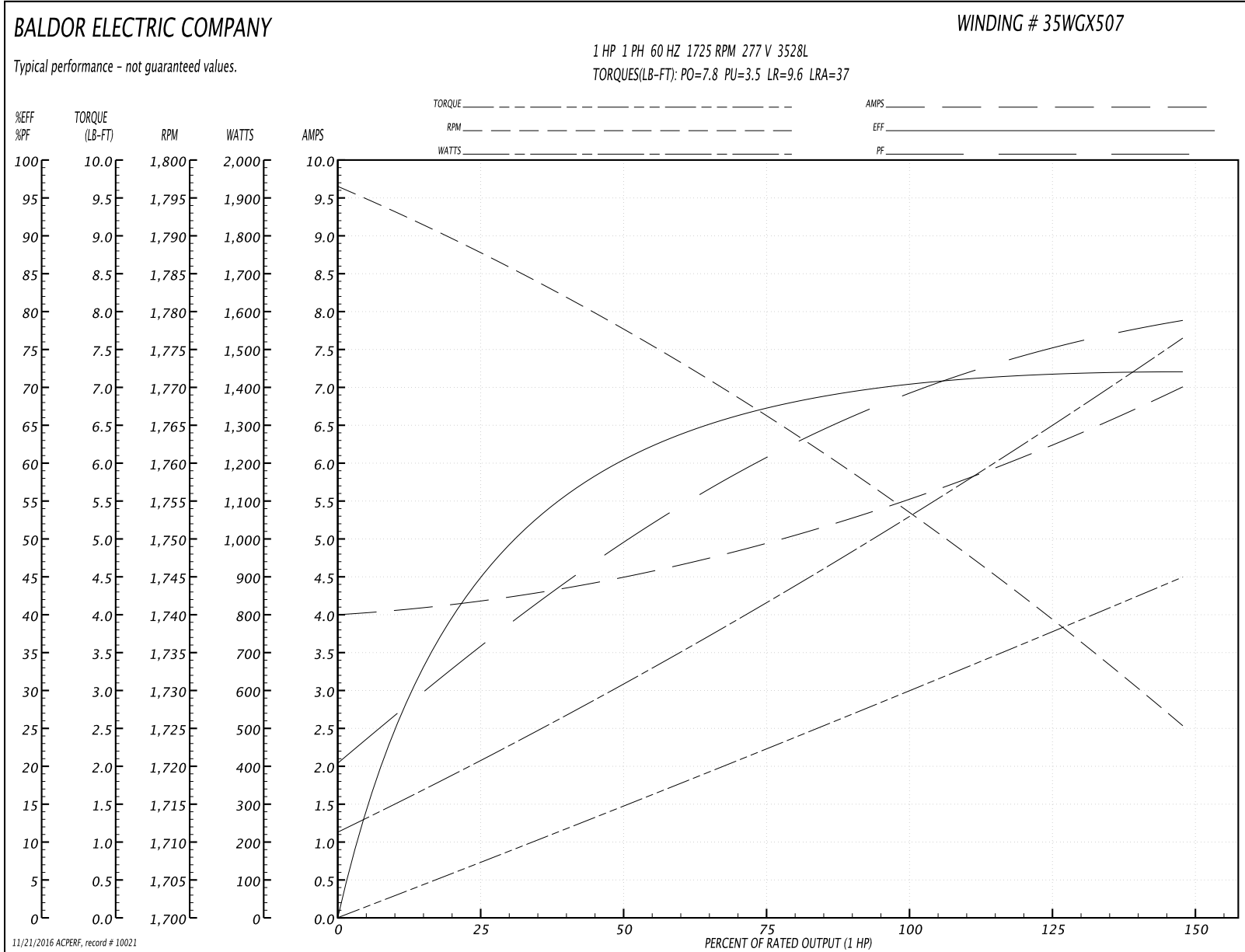
<b>Winding:</b> 35WGX507-R001	<b>Type:</b> 3528L	<b>Enclosure:</b> OPEN
-------------------------------	--------------------	------------------------

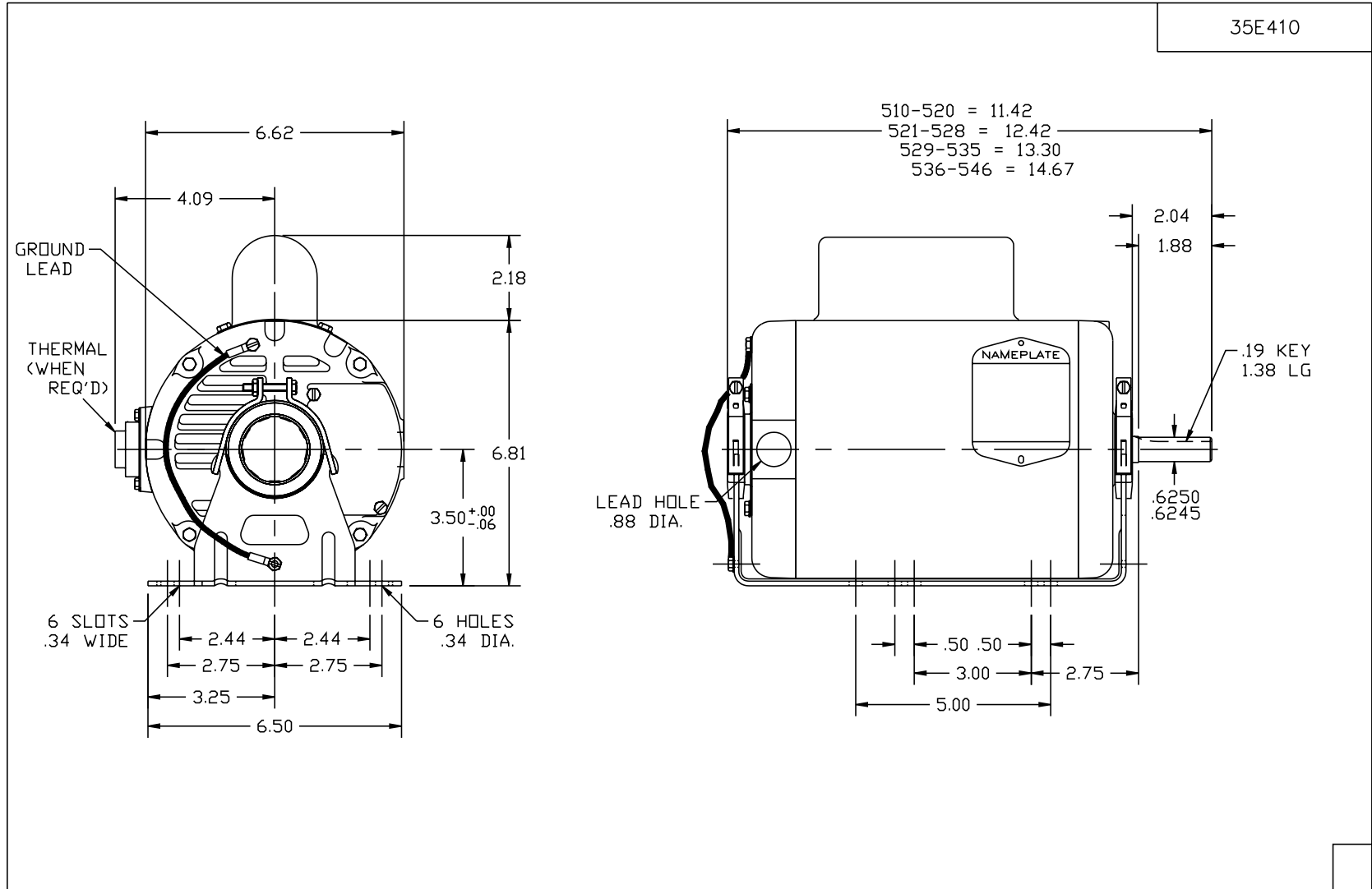
Nameplate Data				277 V, 60 Hz: Single Voltage Motor	
Rated Output (HP)	1			Full Load Torque	3 LB-FT
Volts	277			Start Configuration	direct on line
Full Load Amps	5.4			Breakdown Torque	7.8 LB-FT
R.P.M.	1725			Pull-up Torque	3.5 LB-FT
Hz	60	Phase	1	Locked-rotor Torque	9.6 LB-FT
NEMA Design Code	L	KVA Code	H	Starting Current	37 A
Service Factor (S.F.)	1.15			No-load Current	4 A
NEMA Nom. Eff.	0	Power Factor	0	Line-line Res. @ 25°C	3.01 Ω A Ph 6.08 Ω B Ph
Rating - Duty	40C AMB-CONT			Temp. Rise @ Rated Load	42°C
S.F. Amps				Temp. Rise @ S.F. Load	48°C

Load Characteristics 277 V, 60 Hz, 1 HP

% of Rated Load	25	50	75	100	125	150	S.F.
Power Factor	36	50	61	69	76	80	0
Efficiency	44.9	60.4	67.4	70.7	71.9	71.9	0
Speed	1787	1777	1766	1754	1740	1725	0
Line amperes	4.2	4.5	4.9	5.6	6.2	7	6

Performance Graph at 277V, 60Hz, 1.0HP Typical performance - Not guaranteed values



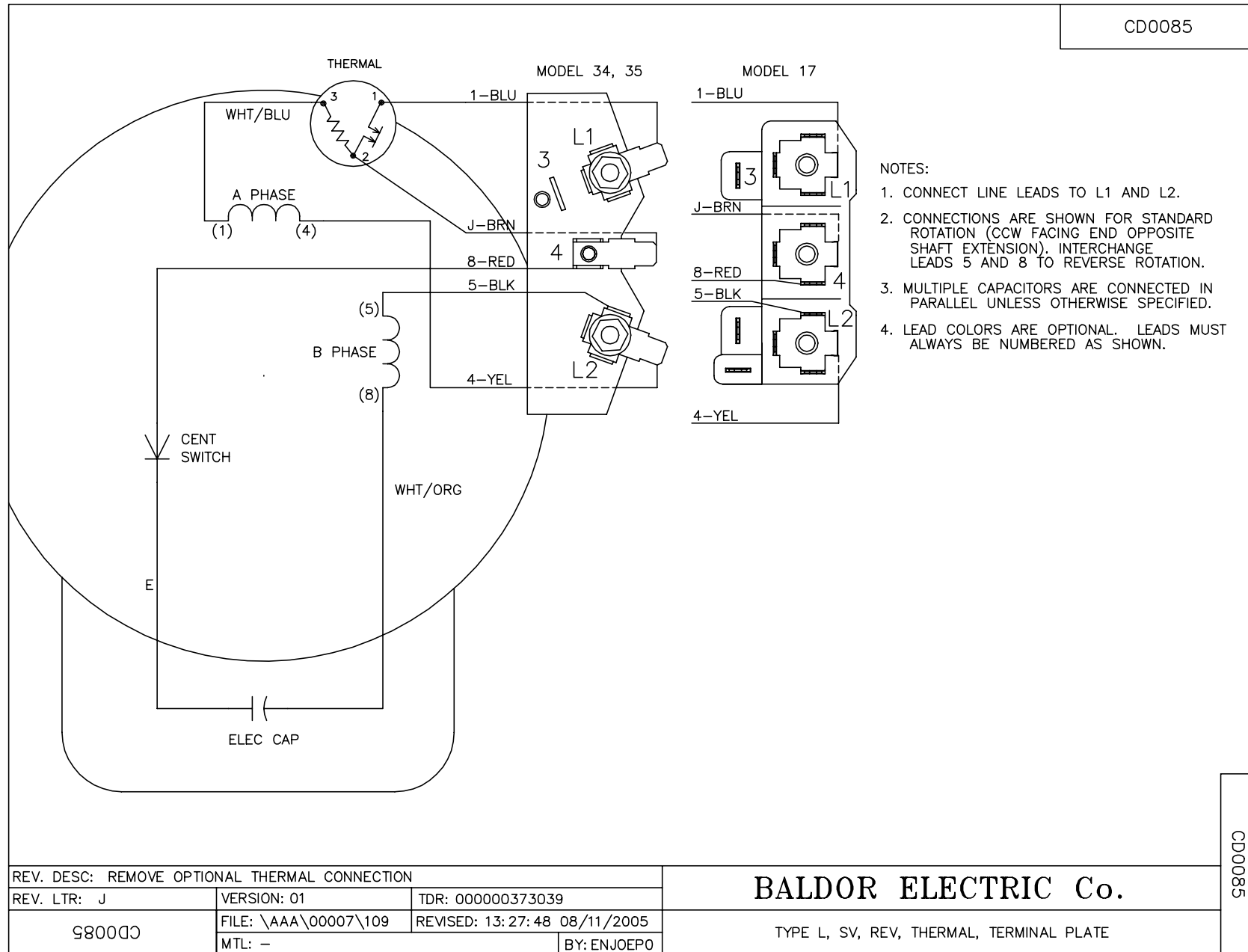


35E410

CUST. NAME		CUST. P.O.		CERTIFIED BY		MODEL		INSUL		AMB							
H.P.		MTG		TYPE		R.P.M.		VOLTS		ENCL							
PHASE		FREQ		FRAME		<h2>BALDOR ELECTRIC Co.</h2> <p>STANDARD RESIL MTD NEMA 56/56H OPEN 35L W/TERM PANEL</p>											
REMARKS:																	
REV:	D	UPDATED TO ACAD															
35E410		SCALE: .3	BY: PGM	REVISED: 06/30/94													
		FILE: AAA00012336	TDR: 0046763														

35E410

CD0085



CD0085

REV. DESC: REMOVE OPTIONAL THERMAL CONNECTION		
REV. LTR: J	VERSION: 01	TDR: 000000373039
980085	FILE: \AAA\00007\109	REVISED: 13:27:48 08/11/2005
	MTL: -	BY: ENJOEPO

**BALDOR ELECTRIC Co.**

TYPE L, SV, REV, THERMAL, TERMINAL PLATE