

# **BALDOR**® • **RELIANCE**

## **Product Information Packet**

# **VBM3154**

**1.5HP,1735RPM,3PH,60HZ,56C,3519M,OPEN,F1**

Part Detail							
Revision:	C	Status:	PRD/A	Change #:		Proprietary:	No
Type:	AC	Prod. Type:	3519M	Elec. Spec:	35WGP925	CD Diagram:	CD0005
Enclosure:	OPEN	Mfg Plant:		Mech. Spec:	35E056	Layout:	35LYE056
Frame:	56C	Mounting:	F1	Poles:	04	Created Date:	07-14-2010
Base:	N	Rotation:	R	Insulation:	B	Eff. Date:	04-02-2015
Leads:	9#18					Replaced By:	
Literature:		Elec. Diagram:					

Nameplate NP1256L										
CAT.NO.	VBM3154									
SPEC.	35E056P925G1									
HP	1.5									
VOLTS	208-230/460									
AMP	5.4-5/2.5									
RPM	1735									
FRAME	56C				HZ	60			PH	3
SER.F.	1.15			CODE	L	DES	B		CLASS	B
NEMA-NOM-EFF	80			PF	71					
RATING	40C AMB-CONT									
CC	USABLE AT 208V									
DE	6205				ODE	6203				
ENCL	OPEN			SN						

Parts List		
Part Number	Description	Quantity
SA200154	SA 35E056P925G1	1.000 EA
RA187473	RA 35E056P925G1	1.000 EA
NS2512A01	INSULATOR, CONDUIT BOX X	1.000 EA
35CB3007	35 CB CASTING W/.88 DIA. LEAD HOLE	1.000 EA
51XB1016A07	10-16 X 7/16 HXWSSLD SERTYB	2.000 EA
11XW1032G06	10-32 X .38, TAPTITE II, HEX WSHR SLTD U	1.000 EA
35EP3900A01	FR ENDPLATE, MACH X	1.000 EA
HW5100A03SP	WAVY WASHER (W1543-017)	1.000 EA
35EP3400A13	STD FACE MTD END PLATE OPEN NEMA 56C 05	1.000 EA
35AD2000	AIR BAFFLE	1.000 EA
60XW0632A06	6-32 X 3/8 TORX HEAD SCREW TAPTITE II	4.000 EA
51XN1032A20	10-32 X 1 1/4 HX WS SL SR	2.000 EA
HW2501D10	KEY, 3/16 SQ X 1.000	1.000 EA
84XN3816J28	HEX SOC HD, 3/8-16 X 1.75 LONG	2.000 EA
35CB4521	35 LIPPED CB LID (GALV & PHOSPH)	1.000 EA
51XW0832A07	8-32 X .44, TAPTITE II, HEX WSHR SLTD SE	4.000 EA
HW2501D13	KEY, 3/16 SQ X 1.375	1.000 EA
HA7000A04	KEY RETAINER 0.625 DIA SHAFTS	1.000 EA
85XU0407S04	4X1/4 U DRIVE PIN STAINLESS	2.000 EA
MJ1000A02	GREASE, POLYREX EM EXXON (USe 4824-15A)	0.050 LB
MG1000G27	MED CHARCOAL METALLIC GREY 400-0096	0.017 GA
HA3100A12	THRUBOLT 10-32 X 7.375	4.000 EA
76BK3100BPF	1-056-031-00-BPF BRAKE TDR# 79345	1.000 EA
LB1185	LABEL,BRAKE CONNECTION (ON ROLLS)	1.000 EA

<b>Parts List (continued)</b>		
<b>Part Number</b>	<b>Description</b>	<b>Quantity</b>
LC0005E01	CONN.DIA./WARNING LABEL (LC0005/LB1119N)	1.000 EA
NP1256L	ALUM UL CSA CC	1.000 EA
36PA1000	PKG GRP, PRINT PK1016A06	1.000 EA
PK3082	STYROFOAM CRADLE	1.000 EA
MN416A01	TAG-INSTAL-MAINT no wire (1200/bx) 11/14	1.000 EA

**AC Induction Motor Performance Data**

Record # 26934 - Typical performance - not guaranteed values

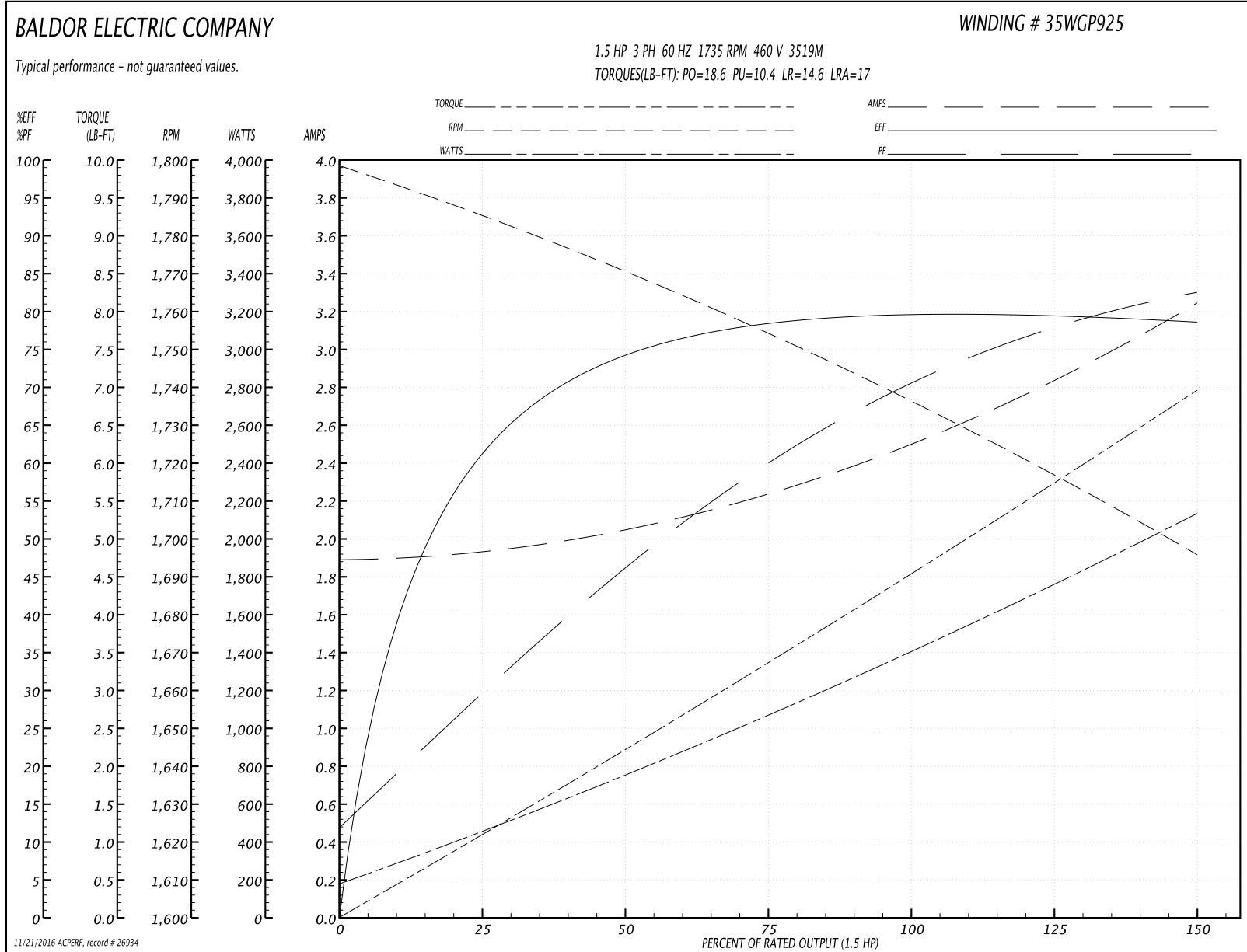
<b>Winding:</b> 35WGP925-R001	<b>Type:</b> 3519M	<b>Enclosure:</b> OPSB
-------------------------------	--------------------	------------------------

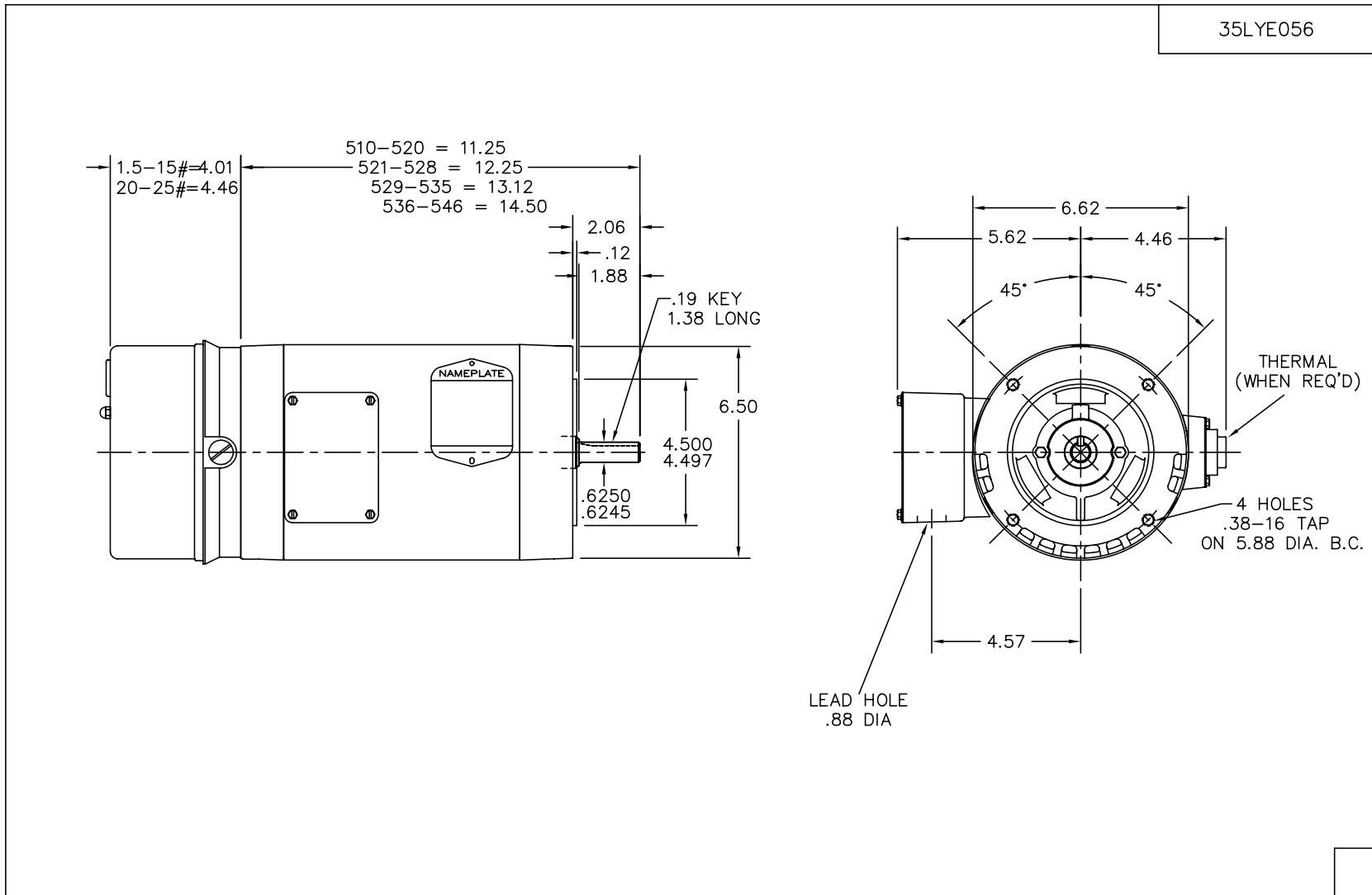
Nameplate Data				460 V, 60 Hz: High Voltage Connection	
Rated Output (HP)	1.5			Full Load Torque	4.56 LB-FT
Volts	208-230/460			Start Configuration	direct on line
Full Load Amps	5.4-5.0/2.5			Breakdown Torque	18.6 LB-FT
R.P.M.	1735			Pull-up Torque	10.4 LB-FT
Hz	60	Phase	3	Locked-rotor Torque	14.6 LB-FT
NEMA Design Code	B	KVA Code	L	Starting Current	17 A
Service Factor (S.F.)	1.15			No-load Current	1.9 A
NEMA Nom. Eff.	80	Power Factor	71	Line-line Res. @ 25°C	13.1 Ω
Rating - Duty	40C AMB-CONT			Temp. Rise @ Rated Load	42°C
S.F. Amps				Temp. Rise @ S.F. Load	51°C

Load Characteristics 460 V, 60 Hz, 1.5 HP

% of Rated Load	25	50	75	100	125	150	S.F.
Power Factor	30	46	60	71	78	83	75
Efficiency	61.3	73.7	78.3	79.7	79.6	78.5	79.6
Speed	1785	1770	1755	1736	1718	1695	1725
Line amperes	1.92	2.04	2.23	2.52	2.84	3.24	2.71

Performance Graph at 460V, 60Hz, 1.5HP Typical performance - Not guaranteed values





35LYE056

CUST. NAME		CUST. P.O.		CERTIFIED BY		MODEL		INSUL		AMB							
H.P.		MTG		TYPE		R.P.M.		VOLTS		ENCL							
PHASE		FREQ		FRAME		<h2>BALDOR ELECTRIC Co.</h2> <p>STD VERT 56C OPEN 35M W/BRAKE</p>											
REV. LTR: E BY: JED REVISED: 03/31/99 8:16 TDR: 0171800																	
FILE: AAA00007683 MDL: -																	
9503A L55		MTL: -															

35LYE056

CD0005



LOW VOLTAGE  
(2Y)



LINE

HIGH VOLTAGE  
(1Y)



LINE

NOTES:

1. INTERCHANGE ANY TWO LINE LEADS TO REVERSE ROTATION.
2. OPTIONAL THERMOSTATS ARE PROVIDED WHEN SPECIFIED.
3. ACTUAL NUMBER OF INTERNAL PARALLEL CIRCUITS MAY BE A MULTIPLE OF THOSE SHOWN ABOVE.
4. LEAD COLORS ARE OPTIONAL. LEADS MUST ALWAYS BE NUMBERED AS SHOWN.

REV. DESC: REVISE TO SHOW OPTIONAL COLORS			
REV. LTR: E	BY: JLP	REVISED: 01/19/99 10:15	TDR: 0171435
90000		FILE: AAA00005140	MDL: -
		MTL: -	

**BALDOR ELECTRIC Co.**

3PH, DV, 9 LEADS

CD0005