

BALDOR® • RELIANCE

Product Information Packet

VEM3711T

10HP,3490RPM,3PH,60HZ,215TC,3732M,TEFC,F

Part Detail							
Revision:	D	Status:	PRD/A	Change #:		Proprietary:	No
Type:	AC	Prod. Type:	3732M	Elec. Spec:	37WGR517	CD Diagram:	CD0005
Enclosure:	TEFC	Mfg Plant:		Mech. Spec:	37H329	Layout:	37LYH329
Frame:	215TC	Mounting:	F1	Poles:	02	Created Date:	04-20-2015
Base:	N	Rotation:	R	Insulation:	F	Eff. Date:	05-06-2016
Leads:	9#14					Replaced By:	
Literature:		Elec. Diagram:					

Nameplate NP3441LUA										
CAT.NO.	VEM3711T									
SPEC.	37H329R517G1									
HP	10									
VOLTS	230/460									
AMP	24.2/12.1									
RPM	3490									
FRAME	215TC			HZ	60			PH	3	
SER.F.	1.15		CODE	J	DES	A		CL	F	
NEMA-NOM-EFF	90.2		PF	84						
RATING	40C AMB-CONT									
CC	010A			USABLE AT 208V			24.8			
DE	6307			ODE	6206					
ENCL	TEFC		SN							
VPWM INVERTER READY										
CT6-60H(10:1)VT3-60H(20:1										
50Hz 10HP 190/380V 28/14A									SF1.0	

Parts List		
Part Number	Description	Quantity
SA299821	SA 37H329R517G1	1.000 EA
RA286854	RA 37H329R517G1	1.000 EA
36FN3000C02	EXFN, PLASTIC, 5.25 OD, 1.175 ID	1.000 EA
HW3200A01	3/8-16X3/4 I-BLT WELDED F/S	1.000 EA
37CB3006	37 CB CASTING W/1.38 LEAD HOLE @ 6:00	1.000 EA
37GS1000	GASKET, CONDUIT BOX STD., .06 THICK LEXI	1.000 EA
51XW2520A12	.25-20 X .75, TAPTITE II, HEX WSHR SLTD	2.000 EA
11XW1032G06	10-32 X .38, TAPTITE II, HEX WSHR SLTD U	1.000 EA
37EP3101A01	FR ENDPLATE, FOR ROUTING PURPOSES	1.000 EA
HW4500A01	1641B(ALEMITE)400 UNIV, GREASE FITT	1.000 EA
HW5100A06	W2420-025 WVY WSHR (WB)	1.000 EA
37PE3300A01	PUEP ASSEMBLY FOR ROUTING	1.000 EA
HW4500A01	1641B(ALEMITE)400 UNIV, GREASE FITT	1.000 EA
10XN2520A30	HEX HD CAP SCREW-STD THD-.25 X 20 THD PE	4.000 EA
HW1001A25	LOCKWASHER 1/4, ZINC PLT .493 OD, .255 I	4.000 EA
XY3118A12	5/16-18 HEX NUT DIRECTIONAL SERRATION	4.000 EA
51XB1214A20	12-14X1.25 HXWSSLD SERTYB	1.000 EA
07FH4007	PRIMED	1.000 EA
51XW1032A06	10-32 X .38, TAPTITE II, HEX WSHR SLTD S	3.000 EA
37CB4516	LIPPED LID FOR 37 FRAME NEC KOBX	1.000 EA
37GS1008SP	37 GS FOR CB LID - LEXIDE	1.000 EA
51XW0832A07	8-32 X .44, TAPTITE II, HEX WSHR SLTD SE	4.000 EA
HW2501F21	KEY, 5/16 SQ X 2.375	1.000 EA
HA7000A02	KEY RETAINER RING, 1 1/8 DIA, 1 3/8 DIA	1.000 EA

Parts List (continued)		
Part Number	Description	Quantity
85XU0407S04	4X1/4 U DRIVE PIN STAINLESS	2.000 EA
LB1115N	LABEL,LIFTING DEVICE (ON ROLLS)	1.000 EA
MJ1000A02	GREASE, POLYREX EM EXXON (USe 4824-15A)	0.050 LB
MG1000Y03	MUNSELL 2.53Y 6.70/ 4.60, GLOSS 20,	0.028 GA
HA3104A14	THRUBOLT- 5/16-18 X12.125(OHIO)	4.000 EA
LC0005E01	CONN.DIA./WARNING LABEL (LC0005/LB1119N)	1.000 EA
NP3441LUA	ALUM SUPER-E VPWM INV READY UL	1.000 EA
G0PA1000	PKG GRP, PRINT PK1026A06	1.000 EA
PK3082	STYROFOAM CRADLE	1.000 EA
MN416A01	TAG-INSTAL-MAINT no wire (1200/bx) 11/14	1.000 EA

AC Induction Motor Performance Data

Record # 53383 - Typical performance - not guaranteed values

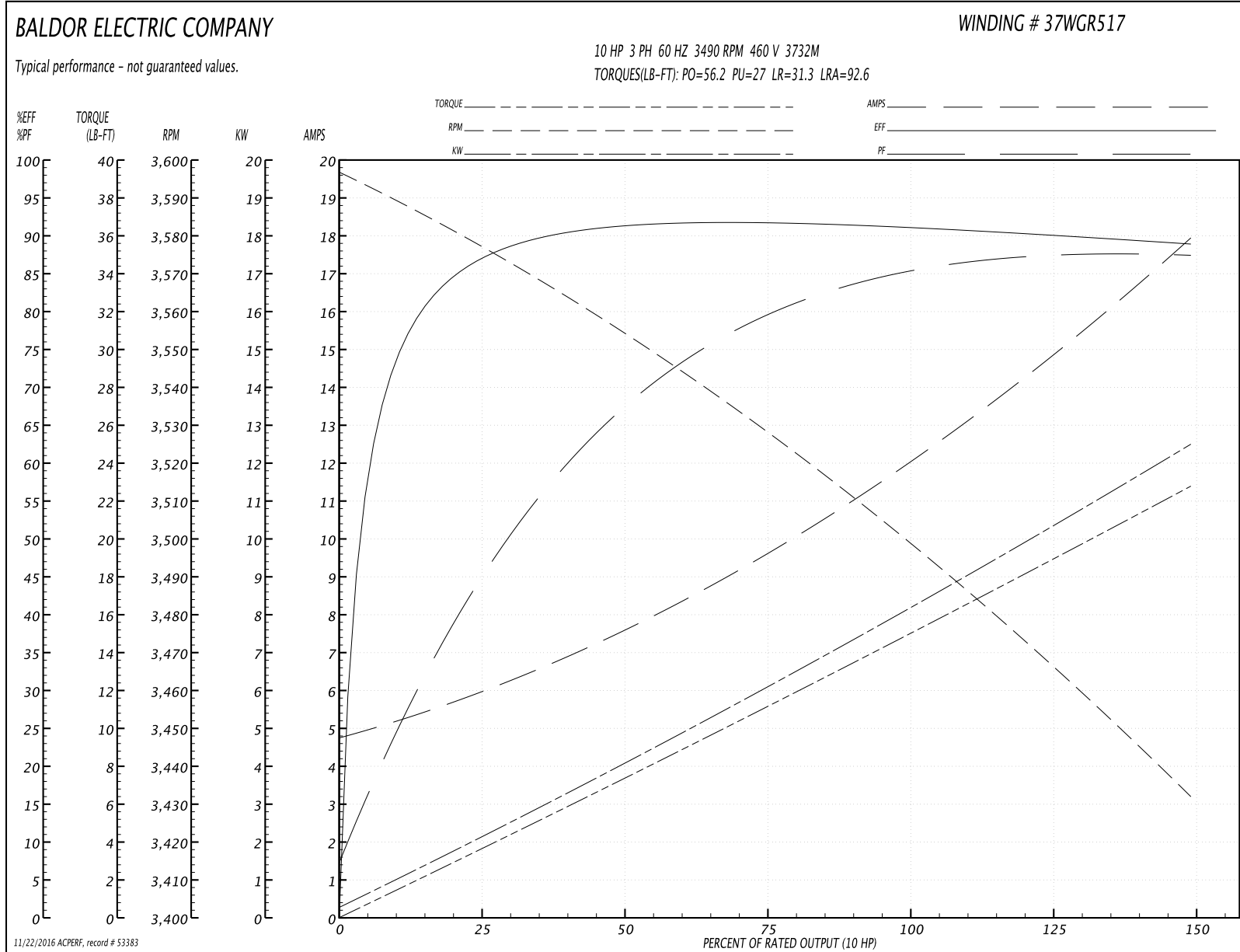
Winding: 37WGR517-R007	Type: 3732M	Enclosure: TEFC
-------------------------------	--------------------	------------------------

Nameplate Data				460 V, 60 Hz: High Voltage Connection	
Rated Output (HP)	10			Full Load Torque	14.9 LB-FT
Volts	230/460			Start Configuration	direct on line
Full Load Amps	24.2/12.1			Breakdown Torque	56.2 LB-FT
R.P.M.	3490			Pull-up Torque	27 LB-FT
Hz	60	Phase	3	Locked-rotor Torque	31.3 LB-FT
NEMA Design Code	A	KVA Code	J	Starting Current	92.6 A
Service Factor (S.F.)	1.15			No-load Current	4.94 A
NEMA Nom. Eff.	90.2	Power Factor	84	Line-line Res. @ 25°C	0.753 Ω
Rating - Duty	40C AMB-CONT			Temp. Rise @ Rated Load	71°C
S.F. Amps				Temp. Rise @ S.F. Load	87°C

Load Characteristics 460 V, 60 Hz, 10 HP

% of Rated Load	25	50	75	100	125	150	S.F.
Power Factor	47	68	79	84	86	88	85
Efficiency	86.2	90.9	91.9	91.2	90.3	88.8	90.7
Speed	3579	3555	3528	3499	3468	3432	3480
Line amperes	5.68	7.48	9.59	12.1	14.9	17.8	13.8

Performance Graph at 460V, 60Hz, 10.0HP Typical performance - Not guaranteed values



AC Induction Motor Performance Data

Record # 59173 - Typical performance - not guaranteed values

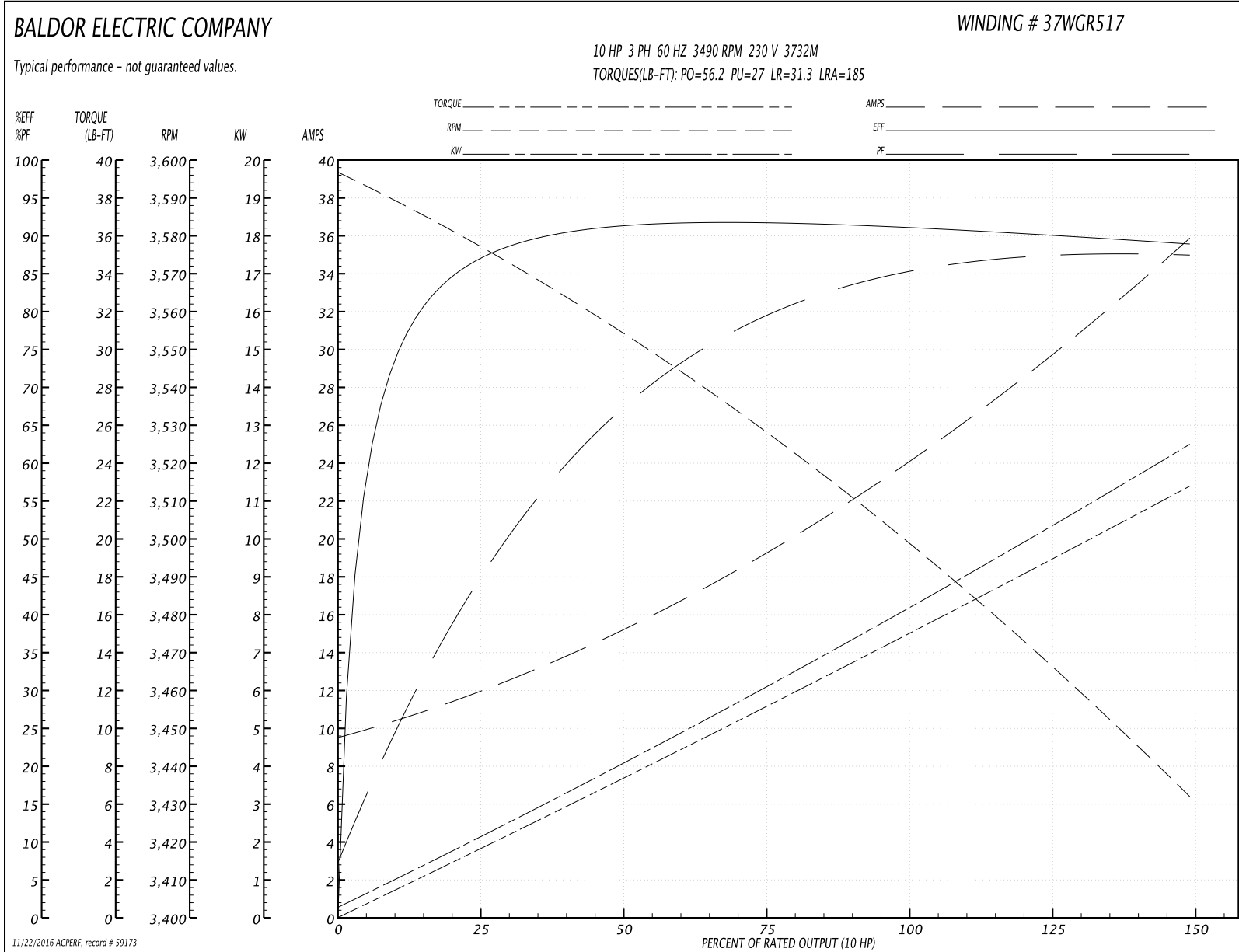
Winding: 37WGR517-R007	Type: 3732M	Enclosure: TEFC
-------------------------------	--------------------	------------------------

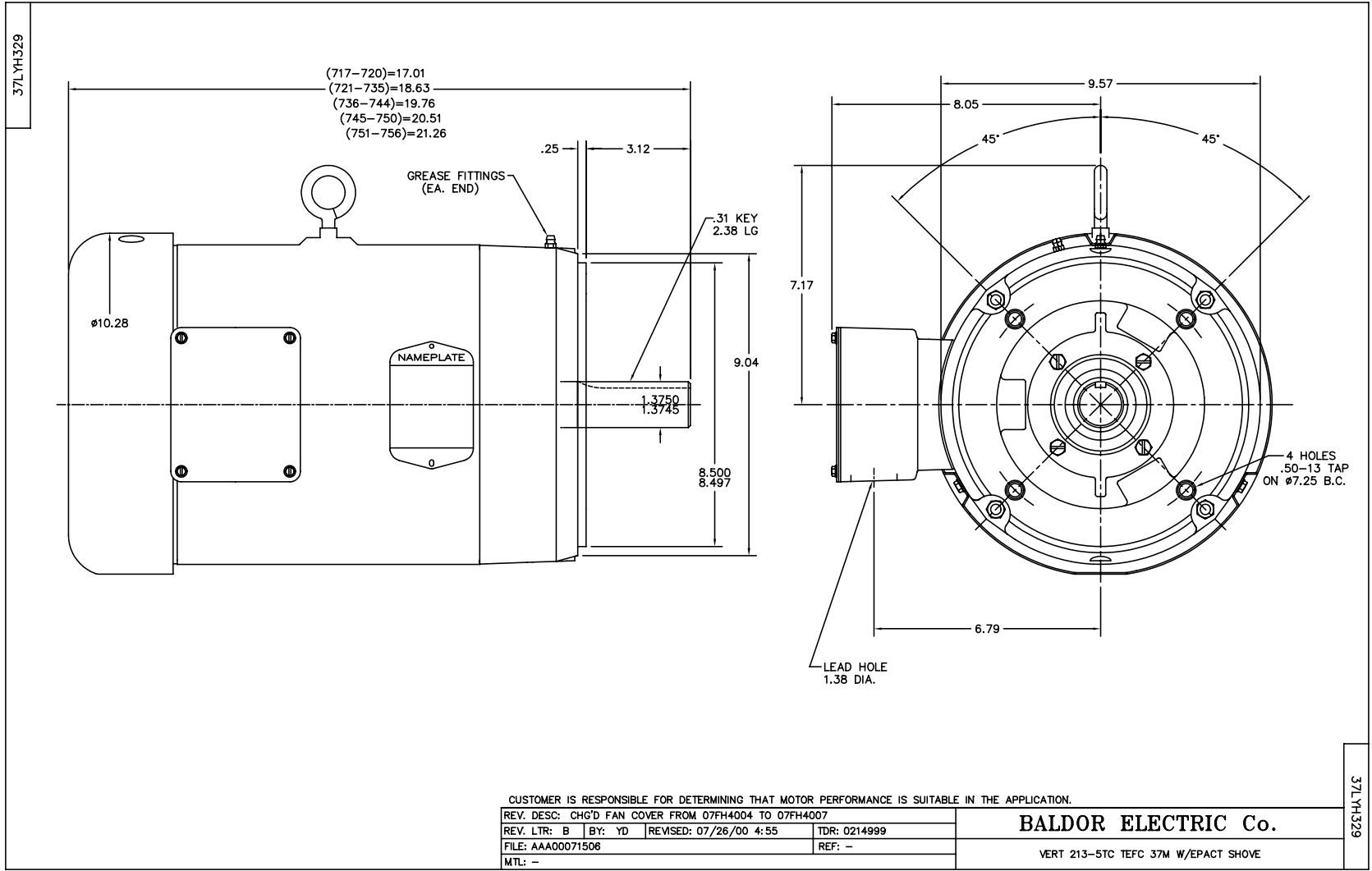
Nameplate Data				230 V, 60 Hz: Low Voltage Connection	
Rated Output (HP)	10			Full Load Torque	14.9 LB-FT
Volts	230/460			Start Configuration	direct on line
Full Load Amps	24.2/12.1			Breakdown Torque	56.2 LB-FT
R.P.M.	3490			Pull-up Torque	27 LB-FT
Hz	60	Phase	3	Locked-rotor Torque	31.3 LB-FT
NEMA Design Code	A	KVA Code	J	Starting Current	185 A
Service Factor (S.F.)	1.15			No-load Current	9.88 A
NEMA Nom. Eff.	90.2	Power Factor	84	Line-line Res. @ 25°C	0.188 Ω
Rating - Duty	40C AMB-CONT			Temp. Rise @ Rated Load	71°C
S.F. Amps				Temp. Rise @ S.F. Load	85°C
				Locked-rotor Power Factor	32.3
				Rotor inertia	0.292 LB-FT ²

Load Characteristics 230 V, 60 Hz, 10 HP

% of Rated Load	25	50	75	100	125	150	S.F.
Power Factor	46	68	79	84	86	88	85
Efficiency	86.2	90.9	91.9	91.2	90.3	88.8	90.7
Speed	3579	3555	3528	3499	3468	3432	3480
Line amperes	11.4	15	19.2	24.2	29.8	35.6	27.6

Performance Graph at 230V, 60Hz, 10.0HP Typical performance - Not guaranteed values





CD0005

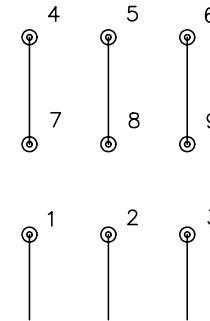


LOW VOLTAGE
(2Y)



LINE

HIGH VOLTAGE
(1Y)



LINE

NOTES:

1. INTERCHANGE ANY TWO LINE LEADS TO REVERSE ROTATION.
2. OPTIONAL THERMOSTATS ARE PROVIDED WHEN SPECIFIED.
3. ACTUAL NUMBER OF INTERNAL PARALLEL CIRCUITS MAY BE A MULTIPLE OF THOSE SHOWN ABOVE.
4. LEAD COLORS ARE OPTIONAL. LEADS MUST ALWAYS BE NUMBERED AS SHOWN.

REV. DESC: REVISE TO SHOW OPTIONAL COLORS			
REV. LTR: E	BY: JLP	REVISED: 01/19/99 10:15	TDR: 0171435
900000		FILE: AAA00005140	MDL: -
		MTL: -	

BALDOR ELECTRIC Co.

3PH, DV, 9 LEADS

CD0005