

BALDOR® • *RELIANCE*

Product Information Packet

VEM7071T

2//1.5HP,3490//2890RPM,3PH,60//50HZ,145T

Part Detail							
Revision:	B	Status:	PRD/A	Change #:		Proprietary:	No
Type:	AC	Prod. Type:	3526M	Elec. Spec:	35WGM774	CD Diagram:	CD0005
Enclosure:	XPXC	Mfg Plant:		Mech. Spec:	35E380	Layout:	35LYE380
Frame:	145TC	Mounting:	F1	Poles:	02	Created Date:	09-30-2015
Base:	N	Rotation:	R	Insulation:	B	Eff. Date:	09-01-2016
Leads:	9#18					Replaced By:	
Literature:		Elec. Diagram:					

Nameplate NP1426XPSLEV	
NO.	[] CC 010A
SER.	[]
SPEC.	35E380M774G1
CAT.NO.	VEM7071T
HP	2//1.5 T. CODE T3C
VOLTS	230/460//190/380
AMPS	5/2.5//4.8/2.4
RPM	3490//2890
HZ	60//50 PH 3 CL B
SER.F.	1.00 DES B CODE M
RATING	40C AMB-CONT
FRAME	145TC NEMA-NOM-EFF 85.5
USABLE AT 208V	5.3 PF 88
BLANK	[]

Parts List		
Part Number	Description	Quantity
SA308071	SA 35E380M774G1	1.000 EA
RA295395	RA 35E380M774G1	1.000 EA
MJ5000A09	EFI KIT #1578 (400 ML CARTRIDGE OF EFI	0.050 EA
35CB3001A02SP	EXPL PROOF CONDUIT BOX, 3/4"PIPE TAP LEA	1.000 EA
11XW1032G06	10-32 X .38, TAPTITE II, HEX WSHR SLTD U	1.000 EA
HW3001B01	BRASS CUP WASHER, FOR #8 SCREW	1.000 EA
35EP3700A01SP	FR ENDPLATE, XPFC	1.000 EA
HW5100A03SP	WAVY WASHER (W1543-017)	1.000 EA
35EP3702A01SP	PU EP-205 BRG-35X-56C-143-5TC	1.000 EA
51XN1032A20	10-32 X 1 1/4 HX WS SL SR	2.000 EA
HA3013A01	1/2-20X5/8 SPL.HX BOLT	2.000 EA
HW3021C06	3/32 DI X .625 PIN (F/S)	2.000 EA
XY3118A12	5/16-18 HEX NUT DIRECTIONAL SERRATION	4.000 EA
51XB1214A16	12-14X1.00 HXWSSLD SERTYB	1.000 EA
35FH4005A01SP	IEC FH NO GREASER W/PRIMED	1.000 EA
51XW1032A06	10-32 X .38, TAPTITE II, HEX WSHR SLTD S	3.000 EA
35CB3500A01SP	CONDUIT BOX LID, MACH	1.000 EA
51XN2520A16	SCREW, HEX WS SLT, ZN, 1/4-20 X 1.00	4.000 EA
HW2501D13	KEY, 3/16 SQ X 1.375	1.000 EA
HA7000A01	KEY RETAINER 7/8" DIA SHAFT	1.000 EA
85XU0407S04	4X1/4 U DRIVE PIN STAINLESS	6.000 EA
NP0018W	ALUM UL XP CONDUIT BOX NAMEPLATE	1.000 EA
MJ1000A02	GREASE, POLYREX EM EXXON (USe 4824-15A)	0.050 LB
34FN3002B01	EXTERNAL FAN, PLASTIC, .637/.639 HUB W/	1.000 EA

Parts List (continued)		
Part Number	Description	Quantity
MG1025G29	WILKOFEST, 789.229, DARK CHARCOAL GRAY	0.014 GA
HA3104A08	THRUBOLT-5/16-18X9.375 X X	4.000 EA
LC0145B01	CONNECTION LABEL	1.000 EA
LB1119N	WARNING LABEL	1.000 EA
MN416A01	TAG-INSTAL-MAINT no wire (1200/bx) 11/14	1.000 EA
NP1426XPSLEV	SS XP UL CSA-EEV CC CL-I GP-D	1.000 EA
PK3082	STYROFOAM CRADLE	1.000 EA
36PA1000	PKG GRP, PRINT PK1016A06	1.000 EA

AC Induction Motor Performance Data

Record # 50806 - Typical performance - not guaranteed values

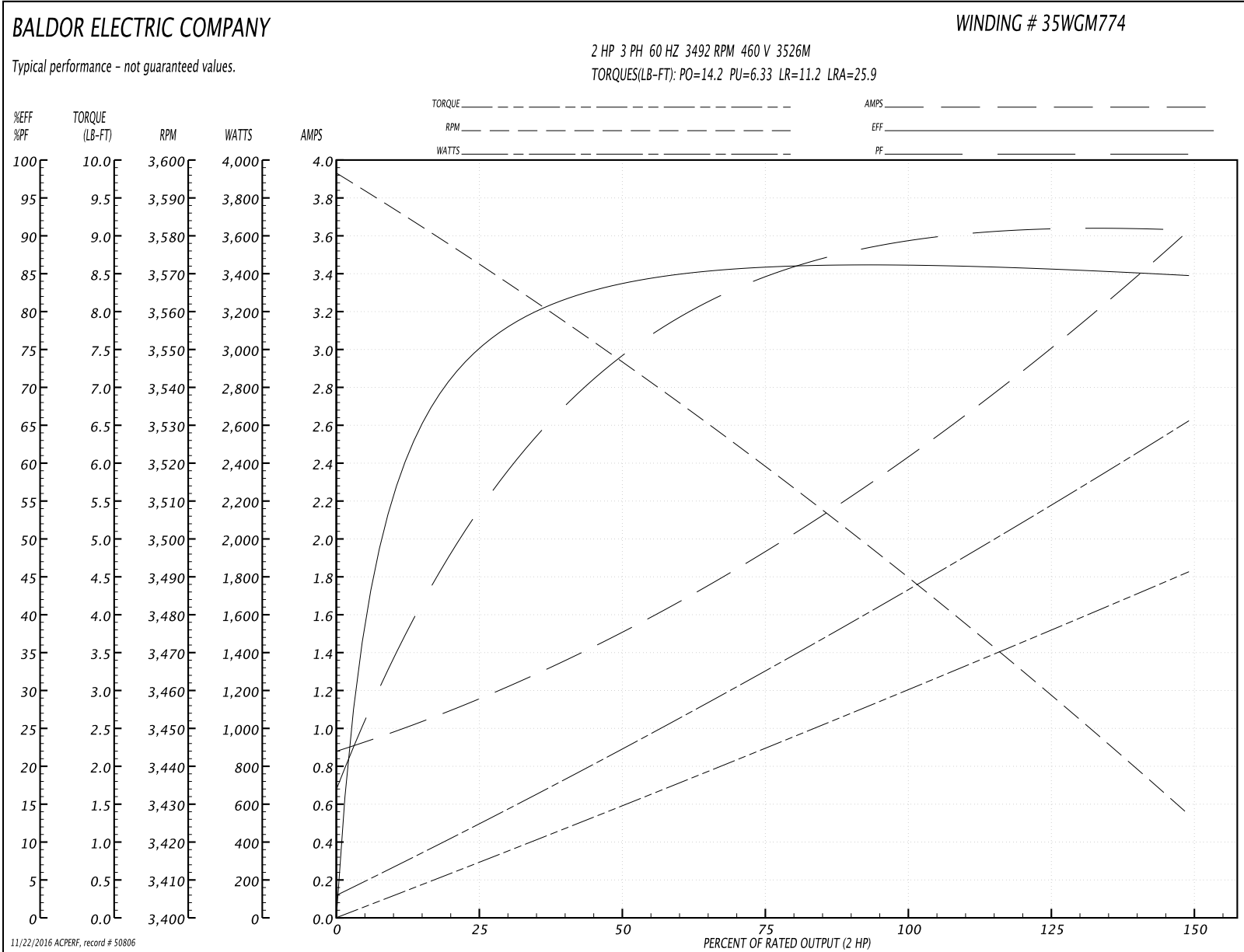
Winding: 35WGM774-R055	Type: 3526M	Enclosure: XPFC
-------------------------------	--------------------	------------------------

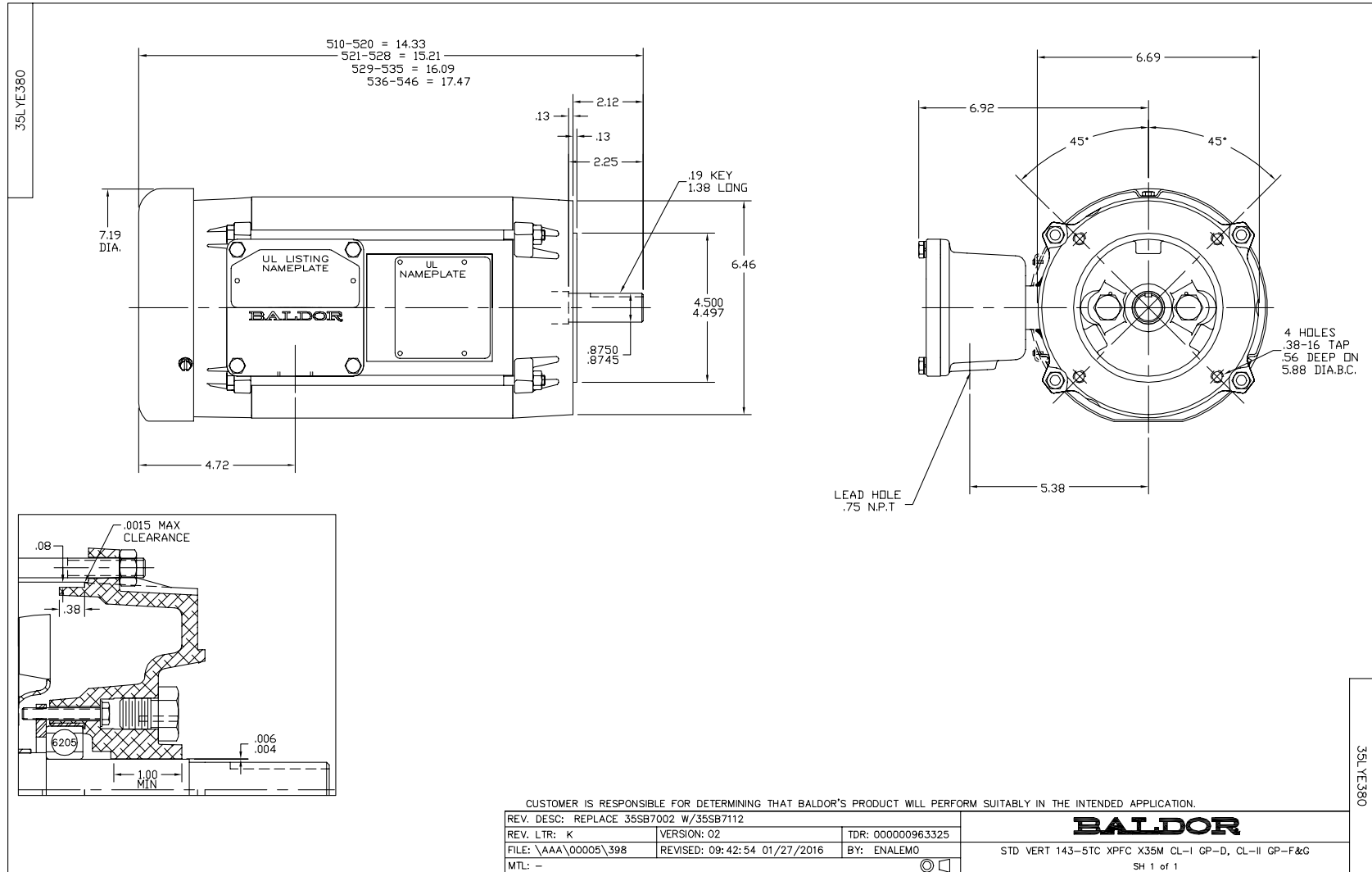
Nameplate Data				460 V, 60 Hz: High Voltage Connection	
Rated Output (HP)	2//1.5			Full Load Torque	2.98 LB-FT
Volts	230/460//190/380			Start Configuration	direct on line
Full Load Amps	5/2.5//4.8/2.4			Breakdown Torque	14.2 LB-FT
R.P.M.	3490//2890			Pull-up Torque	6.33 LB-FT
Hz	60//50	Phase	3	Locked-rotor Torque	11.2 LB-FT
NEMA Design Code	B	KVA Code	M	Starting Current	25.9 A
Service Factor (S.F.)	1			No-load Current	0.912 A
NEMA Nom. Eff.	85.5	Power Factor	88	Line-line Res. @ 25°C	6.88 Ω
Rating - Duty	40C AMB-CONT			Temp. Rise @ Rated Load	44°C
				Locked-rotor Power Factor	49.9
				Rotor inertia	0.0719 LB-FT ²

Load Characteristics 460 V, 60 Hz, 2 HP

% of Rated Load	25	50	75	100	125	150
Power Factor	55	75	84	88	90	91
Efficiency	73.4	83.6	85.8	86.3	85.8	84.7
Speed	3572	3547	3520	3492	3461	3426
Line amperes	1.1	1.47	1.93	2.44	3	3.61

Performance Graph at 460V, 60Hz, 2.0HP Typical performance - Not guaranteed values

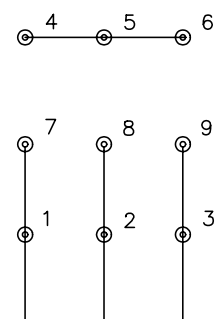




CD0005

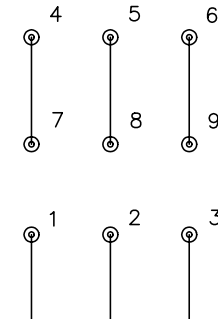


LOW VOLTAGE
(2Y)



LINE

HIGH VOLTAGE
(1Y)



LINE

NOTES:

1. INTERCHANGE ANY TWO LINE LEADS TO REVERSE ROTATION.
2. OPTIONAL THERMOSTATS ARE PROVIDED WHEN SPECIFIED.
3. ACTUAL NUMBER OF INTERNAL PARALLEL CIRCUITS MAY BE A MULTIPLE OF THOSE SHOWN ABOVE.
4. LEAD COLORS ARE OPTIONAL. LEADS MUST ALWAYS BE NUMBERED AS SHOWN.

REV. DESC: REVISE TO SHOW OPTIONAL COLORS			
REV. LTR: E	BY: JLP	REVISED: 01/19/99 10:15	TDR: 0171435
90000		FILE: AAA00005140	MDL: -
		MTL: -	

BALDOR ELECTRIC Co.

3PH, DV, 9 LEADS

CD0005