

Series 3CCE, 4CCE, 5CCE

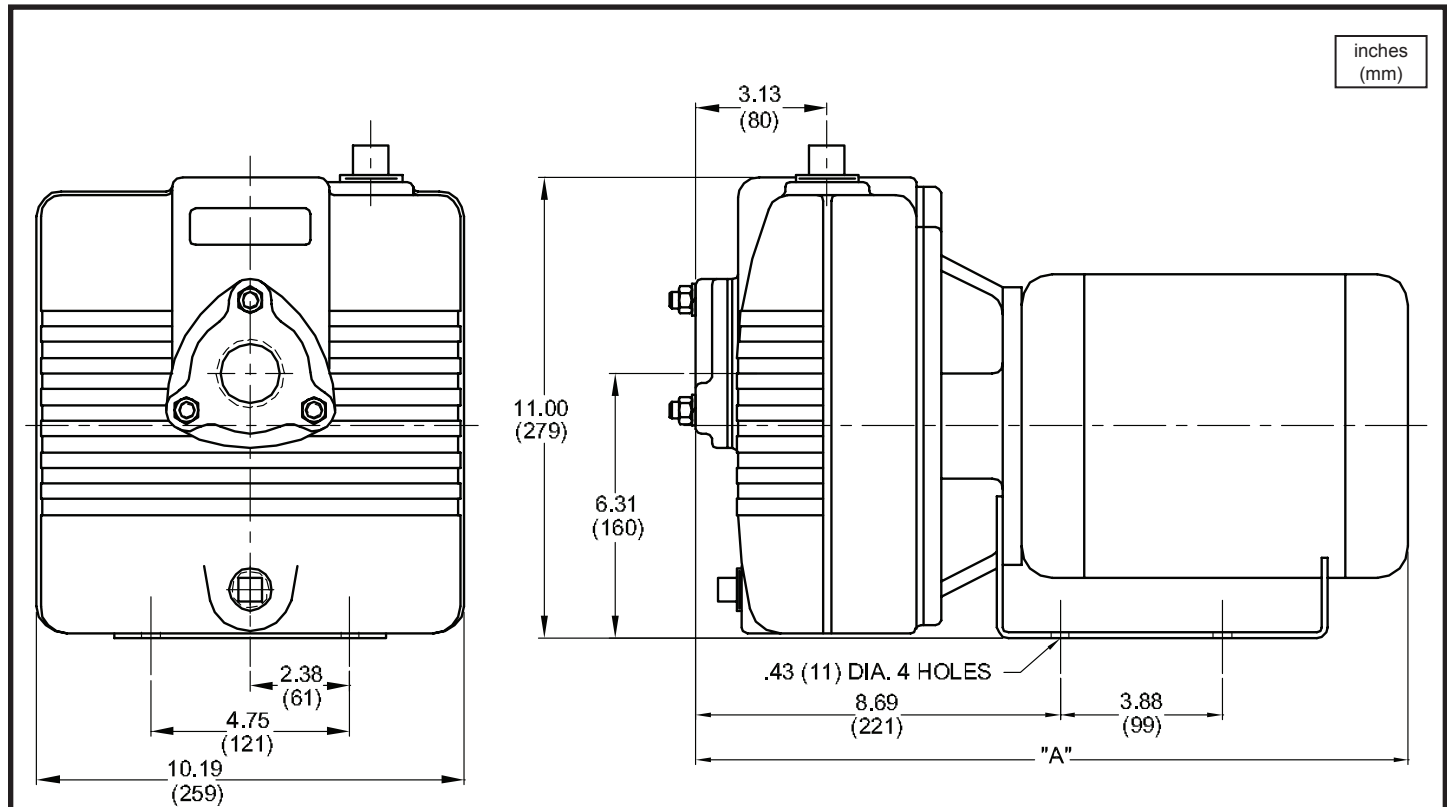
Electric Drive

1½" NPT

BARNES®

www.cranepumps.com

Self-Priming Universal/Electric Driven



* Overall Dimensions subject to Motor Manufacture.

MODEL NO	PART NO	MOTOR DESIGN	HP	VOLT	PH	Hz	RPM (Nom)	FULL LOAD AMPS	LOCKED ROTOR AMPS	WEIGHT NET LBS (kg)	* A DIM
3CCE	027458	ODP	1.5	200-230/460	3	60	3450	6.0/3.0	40/20	84 (38)	17.88 (454)
3CCE-1	027460	ODP	1.5	115/230	1	60	3450	4.5/2.3	120/60	84 (38)	18.44 (468)
4CCE	027464	ODP	2.0	200-230/460	3	60	3450	6.8/3.4	50/25	92 (42)	18.44 (468)
4CCE-1	027466	ODP	2.0	115/230	1	60	3450	5.9/3.0	144/72	92 (42)	18.44 (468)
5CCE	027470	ODP	3.0	200-230/460	3	60	3450	9.6/4.8	64/32	94 (43)	18.44 (468)
5CCE-1	027472	ODP	3.0	115/230	1	60	3450	8.3/4.2	204/102	94 (43)	19.69 (500)
3CCE	027458K	TEFC	1.5	200-230/460	3	60	3450	5-4.6/2.3	36/18	91 (41.3)	20.00 (508)
3CCE-1	027460K	TEFC	1.5	115/230	1	60	3450	16.6/8.3	84/42	107 (48.5)	21.00 (534)
4CCE	027464C	TEFC	2.0	200-230/460	3	60	3450	7-5.4/2.7	46/23	102 (46.3)	21.00 (534)
4CCE-1	027466M	TEFC	2.0	115/230	1	60	3450	23/11.5	156/78	120 (54.4)	21.92 (557)
5CCE	027470F	TEFC	3.0	200-230/460	3	60	3450	8.1-7.6/3.8	66/33	100 (45.4)	21.92 (557)
5CCE-1	027472J	TEFC	3.0	115/230	1	60	3450	29/14.5	172/86	134 (61)	25.36 (644)

IMPORTANT !

- DO NOT USE FOR PUMPING FLUIDS WITH A FLASH POINT OF LESS THAN 100°F.
- MAKE CERTAIN THAT PUMP AND/OR MOTOR ASSEMBLY AND CONTROLS HAVE THE APPROPRIATE RATINGS FOR THE GIVEN APPLICATION AREA CLASSIFICATION. (ie DIVISION I, AGENCY LISTING ETC.)

SECTION 4E
PAGE 2
DATE 2/06

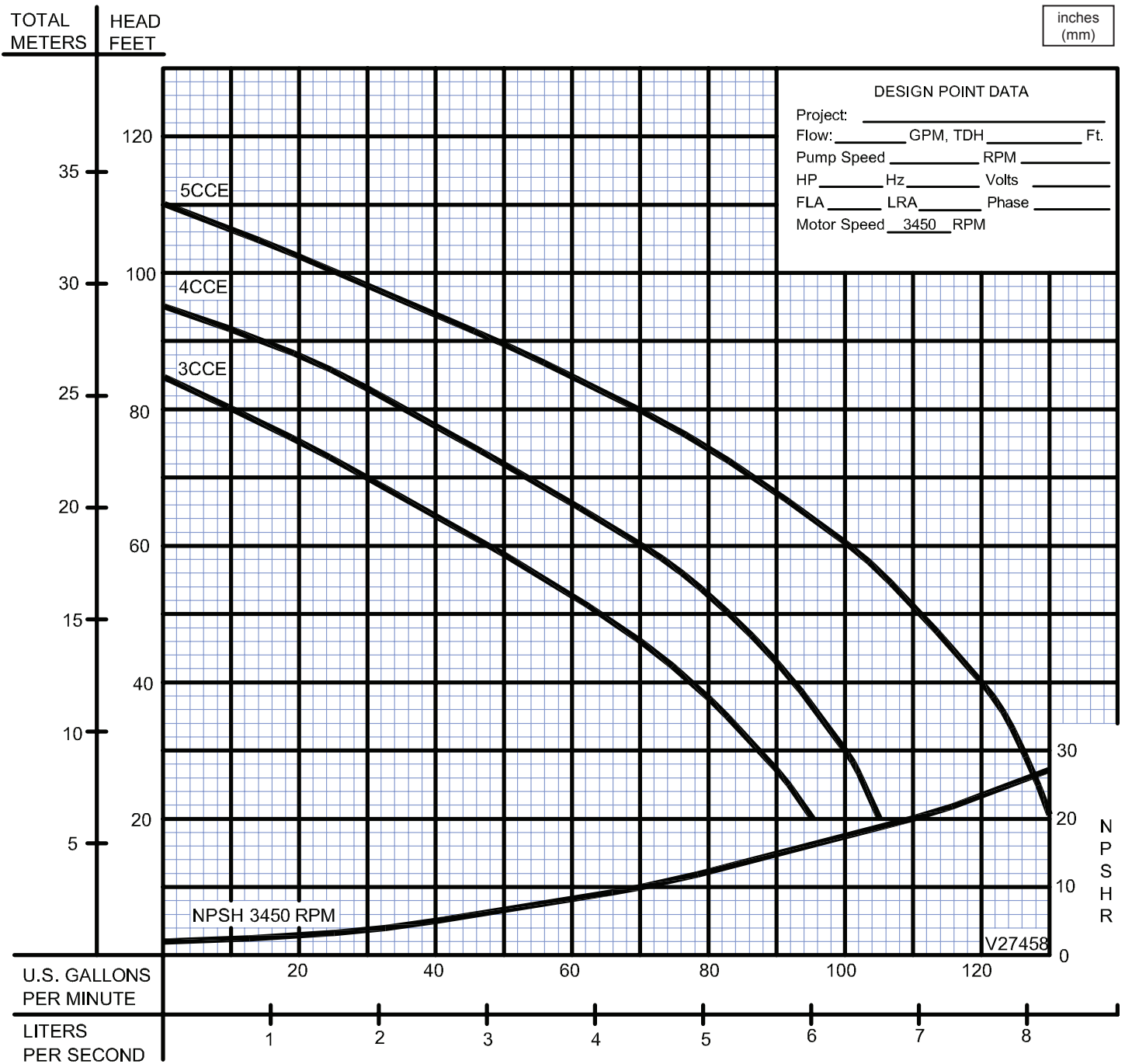
CRANE®

A Crane Co. Company

PUMPS & SYSTEMS

USA: (937) 778-8947 • Canada: (905) 457-6223 • International: (937) 615-3598

Self-Priming Universal/Electric Driven



Testing is performed with water, specific gravity 1.0 @ 68° F @ (20°C), other fluids may vary performance