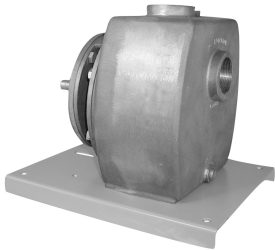


BRONZE BASE MOUNTED SELF-PRIMING CENTRIFUGAL PUMP

CENTRIFUGAL PUMPS SERIES 75PB



FEATURES

- Self Priming to 20 Ft. Suction Lift
- Heavy Duty Ball Bearings
- Designed for Pulley Drive Applications
- Stainless Steel or Nitrile Shaft (75PB-01)
- Polytetrafluoroethylene (PTFE) Barrier Lip Seal to Protect Motor Bearings
- Carbon Face Mechanical Pump Seals
- Fluoroelastomer (S10) or Polytetrafluoroethylene (PTFE) (S11) Pump Seals Available for Solvent Transfer
- Bronze Models with Nickel Alloy Shaft Ideal for Marine Service (including air conditioning, bilge, and sea water recirculation)
- Will Handle Contaminated Liquids

DRIVE

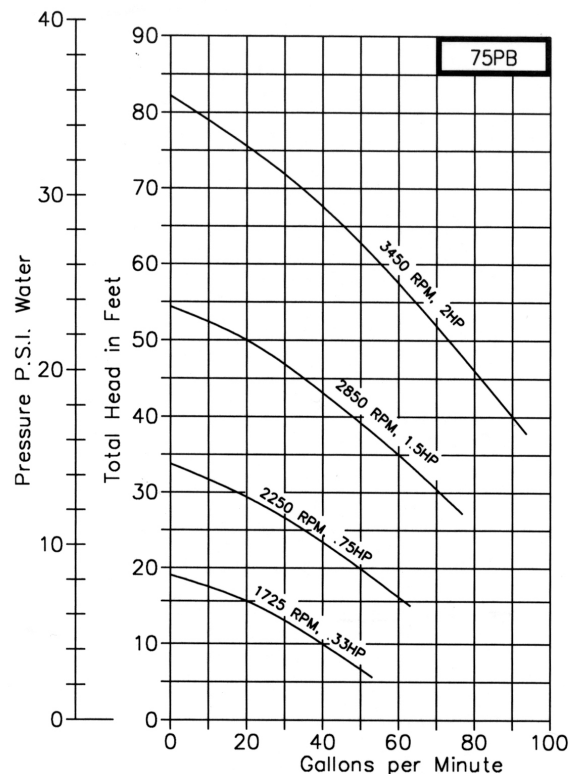
The pedestal centrifugal pumps can be direct driven by electric motors at either 3450 R.P.M. or 1725 R.P.M. Performance for both speeds are shown in the curves above. The 81PB pedestal centrifugal pump can be pulley driven at any desired intermediate speed.

Because of the centrifugal pump impeller and body design, rotation must be as shown in the dimension diagram. Standard factory rotation is clockwise facing the pump shaft. If the pump is driven in the opposite direction it will pump only a very small amount.

LIQUIDS AND TEMPERATURE

The special pump alloys used provide corrosion resistance to many liquids including water, water solutions, and a wide range of commercial chemicals. Questions as to the chemical compatibility of special liquids should be referred to the factory. Viscous liquids with a maximum viscosity of 2000 Saybolt Seconds Universal can be pumped. However, when pumping viscous liquids as compared with water, a reduction in flow and pressure occurs and the required horsepower rate increases. Liquids heavier than water require additional horsepower in direct proportion to the increase in specific gravity. Liquids contaminated with small solids or abrasives can be handled, but a reduction in mechanical seal life must be expected.

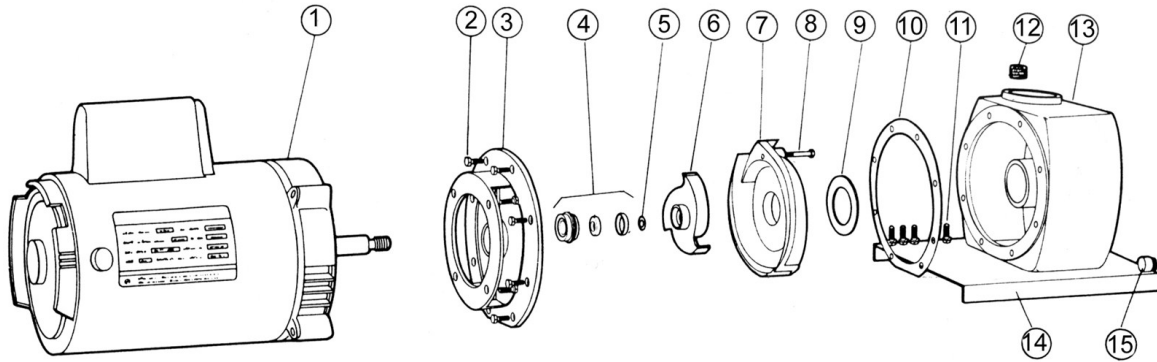
PERFORMANCE



SUCTION LIFT

Self-priming centrifugal pumps must be primed once at the initial start-up through the priming plug opening at the top of the pump body. On subsequent starts the pump will automatically prime itself and develop a lifting capability of 15 feet or more. The height of the suction lift should be kept to an absolute minimum and the size of the suction pipe should be equal or larger than the pump inlet port. A foot valve with strainer is recommended at the beginning of the suction line. Rotation is clockwise looking from the shaft end. Self-priming centrifugal must be operated with the shaft in the horizontal position.

EXPLODED VIEW AND PARTS LIST

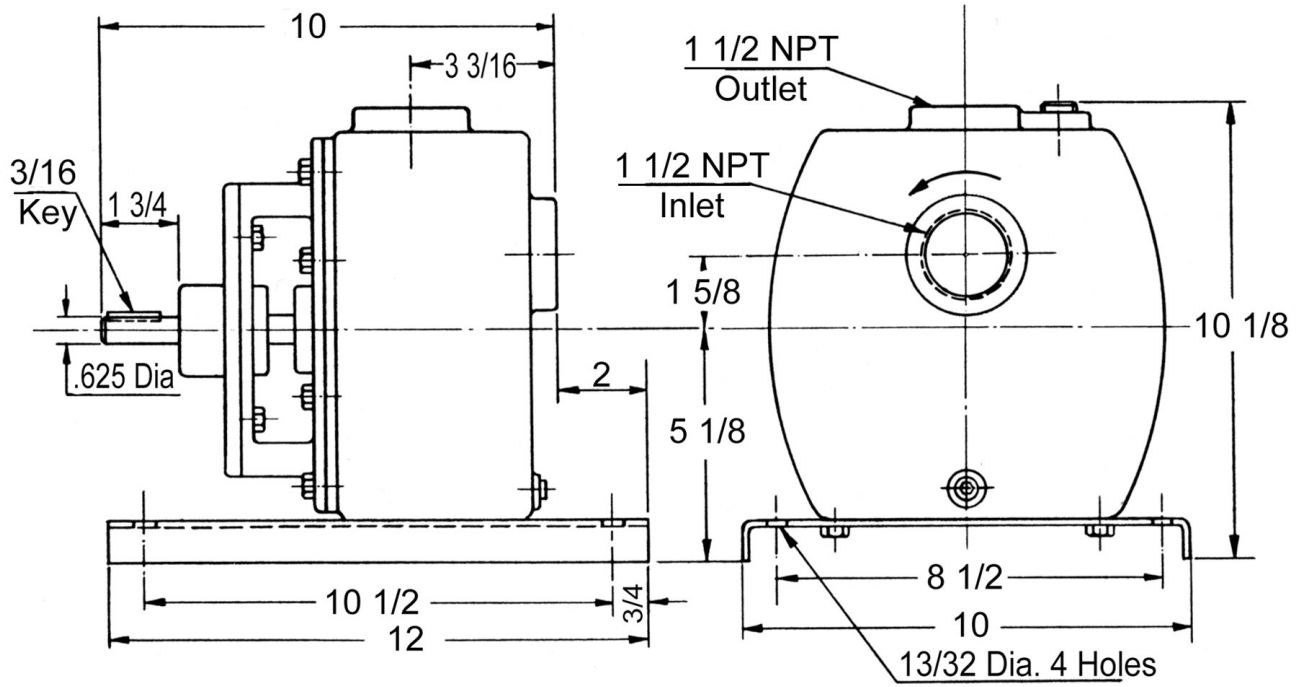


Pump No.	1	2	3	4	5	6	7	8	9 ¹	10	11 ¹
	Ret. Ring	Lip Seal	Ball Bearing	Ret. Ring	Slinger	Key	Shaft	Screw	Seal Assy.	Shim	Impeller
	2 Reqd	1 Reqd	2 Reqd	2 Reqd	1 Reqd	1 Reqd	1 Reqd	12 Reqd	1 Reqd	1 Reqd	1 Reqd
75PB	5925	6609	5928	5926	7447	6567	7037	5411	32155	602502	7927
75PB-01	5925	6609	5928	5926	7447	6567	6890	5411	32155	602502	7927

12	13	14 ¹	15 ¹	16	17	18	19	20	21	22	Repair Kit ¹
Diffuser	Screw	Gasket Diffuser	Gasket Flange	Screw	Plug	Body	Bearing Plate	Adapter	Base	Plug	
1 Reqd	2 Reqd	1 Reqd	1 Reqd	4 Reqd	1 Reqd	1 Reqd	1 Reqd	1 Reqd	1 Reqd	1 Reqd	
7928	7796	7798	7797	7637	7934	7929	7933	7926	6742	7321	11145
7928	7796	7798	7797	7637	7934	7929	7933	7926	6742	7321	11145

¹ Repair Kit contains items 9, 11, 14 & 15.

DIMENSIONS



ADDITIONAL

Discharge Pressure		3450 RPM					2850 RPM				
		Suction Lift					Suction Lift				
Feet	P.S.I.	0 Ft.	5 Ft.	10 Ft.	15 Ft.	20 Ft.	0 Ft.	5 Ft.	10 Ft.	15 Ft.	20 Ft.
20	8.7	94	93	92	91	87	87	79	72	64	54
30	13.0	93	92	91	87	80	71	62	52	38	21
40	17.3	91	86	81	71	60	54	38	20	---	---
50	21.7	76	69	60	49	35	22	---	---	---	---
60	26.0	59	49	37	23	5	---	---	---	---	---
70	30.5	38	24	8	---	---	---	---	---	---	---
80	34.6	13	---	---	---	---	---	---	---	---	---

Discharge Pressure		2250 RPM					1725 RPM				
		Suction Lift					Suction Lift				
Feet	P.S.I.	0 Ft.	5 Ft.	10 Ft.	15 Ft.	20 Ft.	0 Ft.	5 Ft.	10 Ft.	15 Ft.	20 Ft.
5	2.2	64	63	62	53	40	50	43	25	7	
10	4.3	64	62	53	40	20	41	25	---	---	---
15	6.5	61	53	40	20	---	23	---	---	---	---
20	8.7	50	37	19	---	---	---	---	---	---	---
25	10.8	38	20	---	---	---	---	---	---	---	---
30	13.0	20	---	---	---	---	---	---	---	---	---