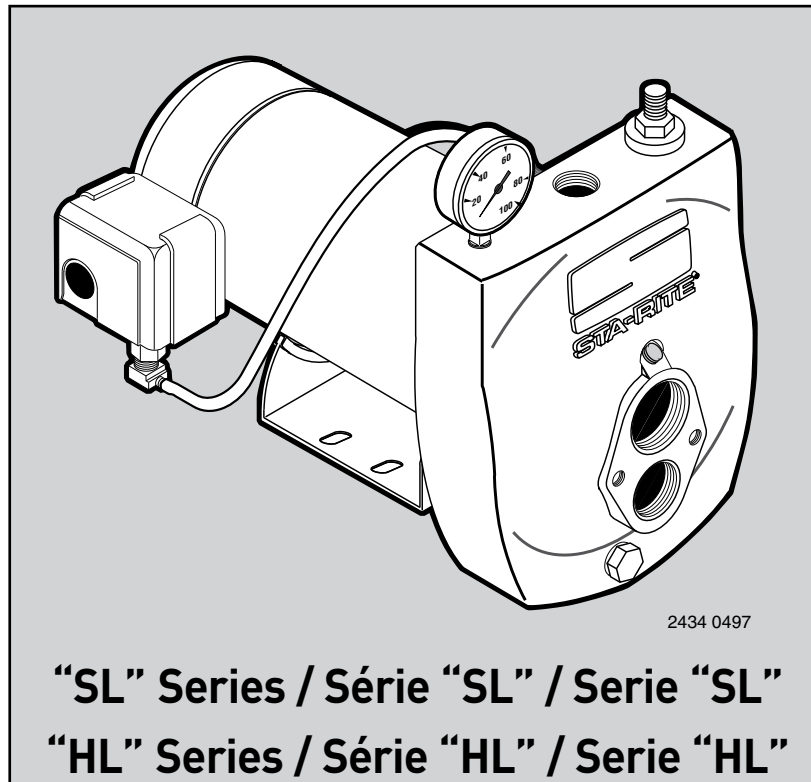


STA-RITE®

Pompe à éjecteur transformables pour puits profonds

MANUAL DEL USUARIO
**Bombas Convertibles tipo
“Jet” para Pozos Profundos**

**Installation/Operation/Parts**

For further operating, installation, or maintenance assistance:

Call 888-782-7483**English..... Pages 2-12****Installation/Fonctionnement/Pièces**

Pour plus de renseignements concernant l'utilisation, l'installation ou l'entretien,

Composer le 888-782-7483**Français Pages 13-23****Instalación/Operación/Piezas**

Para mayor información sobre el funcionamiento, instalación o mantenimiento de la bomba:

Llame al 888-782-7483**Español.....Paginas 24-34**

READ AND FOLLOW SAFETY INSTRUCTIONS!

⚠ This is the safety alert symbol. When you see this symbol on your pump or in this manual, look for one of the following signal words and be alert to the potential for personal injury:

⚠ DANGER warns about hazards that **will** cause serious personal injury, death or major property damage if ignored.

⚠ WARNING warns about hazards that **can** cause serious personal injury, death or major property damage if ignored.

⚠ CAUTION warns about hazards that **will** or **can** cause minor personal injury or property damage if ignored.

The label **NOTICE** indicates special instructions which are important but not related to hazards.

Carefully read and follow all safety instructions in this manual and on pump.

Keep safety labels in good condition.
Replace missing or damaged safety labels.

California Proposition 65 Warning

⚠ WARNING This product and related accessories contain chemicals known to the State of California to cause cancer, birth defects or other reproductive harm.

ELECTRICAL SAFETY

⚠ WARNING Capacitor voltage may be hazardous. To discharge motor capacitor, hold insulated handle screwdriver **BY THE HANDLE** and short capacitor terminals together. Do not touch metal screwdriver blade or capacitor terminals. If in doubt, consult a qualified electrician.

GENERAL SAFETY

⚠ CAUTION Do not touch an operating motor. Modern motors are designed to operate at high temperatures. To avoid burns when servicing pump, allow it to cool for 20 minutes after shut-down before handling.

Do not allow pump or any system component to freeze. To do so will void warranty.

Pump water only with this pump.

Periodically inspect pump and system components.


Wear safety glasses at all times when working on pumps.

Keep work area clean, uncluttered and properly lighted; store properly all unused tools and equipment.

Keep visitors at a safe distance from the work areas.

⚠ WARNING Pump body may explode if used as a booster pump unless relief valve capable of passing full pump flow at 100 psi is installed.

⚠ WARNING

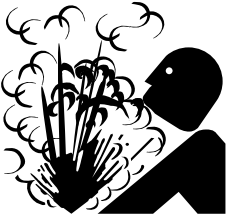


Hazardous voltage. Can shock, burn, or cause death.

Ground pump before connecting to power supply. Disconnect power before working on pump, motor or tank.

- ⚠** Wire motor for correct voltage. See “Electrical” section of this manual and motor nameplate.
- ⚠** Ground motor before connecting to power supply.
- ⚠** Meet National Electrical Code, Canadian Electrical Code, and local codes for all wiring.
- ⚠** Follow wiring instructions in this manual when connecting motor to power lines.

⚠ WARNING



Hazardous pressure! Install pressure relief valve in discharge pipe.

Release all pressure on system before working on any component.

	Page
General Safety	2
Warranty.....	3
Typical Installations	4
Discharge Pipe and Pressure Tank Connections	5
Electrical.....	6, 7
Preparing To Start The Pump – Deep Well	8
Preparing To Start The Pump – Shallow Well	9
Repair Parts	10, 11
Troubleshooting.....	12

Limited Warranty

STA-RITE warrants to the original consumer purchaser (“Purchaser” or “You”) of the products listed below, that they will be free from defects in material and workmanship for the Warranty Period shown below.

Product	Warranty Period
Water Systems Products — jet pumps, small centrifugal pumps, submersible pumps and related accessories	<i>whichever occurs first:</i> 12 months from date of original installation, or 18 months from date of manufacture
Pro-Source™ Composite Tanks	5 years from date of original installation
Pro-Source™ Steel Pressure Tanks	5 years from date of original installation
Pro-Source™ Epoxy-Lined Tanks	3 years from date of original installation
Sump/Sewage/Effluent Products	12 months from date of original installation, or 18 months from date of manufacture

Our warranty will not apply to any product that, in our sole judgement, has been subject to negligence, misapplication, improper installation, or improper maintenance. Without limiting the foregoing, operating a three phase motor with single phase power through a phase converter will void the warranty. Note also that three phase motors must be protected by three-leg, ambient compensated, extra-quick trip overload relays of the recommended size or the warranty is void.

Your only remedy, and STA-RITE’s only duty, is that STA-RITE repair or replace defective products (at STA-RITE’s choice). You must pay all labor and shipping charges associated with this warranty and must request warranty service through the installing dealer as soon as a problem is discovered. No request for service will be accepted if received after the Warranty Period has expired. This warranty is not transferable.

STA-RITE SHALL NOT BE LIABLE FOR ANY CONSEQUENTIAL, INCIDENTAL, OR CONTINGENT DAMAGES WHATSOEVER. THE FOREGOING WARRANTIES ARE EXCLUSIVE AND IN LIEU OF ALL OTHER EXPRESS AND IMPLIED WARRANTIES, INCLUDING BUT NOT LIMITED TO THE IMPLIED WARRANTIES OF MERCHANTABILITY AND FITNESS FOR A PARTICULAR PURPOSE. THE FOREGOING WARRANTIES SHALL NOT EXTEND BEYOND THE DURATION EXPRESSLY PROVIDED HEREIN. Some states do not allow the exclusion or limitation of incidental or consequential damages or limitations on the duration of an implied warranty, so the above limitations or exclusions may not apply to You. This warranty gives You specific legal rights and You may also have other rights which vary from state to state.

This Limited Warranty is effective June 1, 2011 and replaces all undated warranties and warranties dated before June 1, 2011.

STA-RITE INDUSTRIES
293 Wright Street • Delavan, WI U.S.A. 53115
Phone: 1-888-782-7483 • Fax: 1-800-426-9446 • Web Site: sta-rite.com

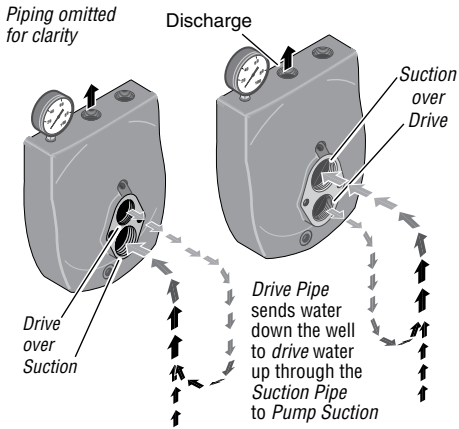


Figure 1: Drive and Suction Functions

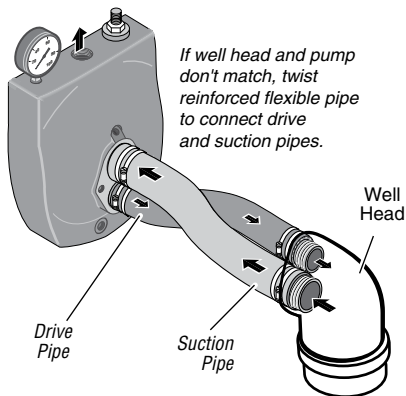


Figure 2: Reversed Connections to Well

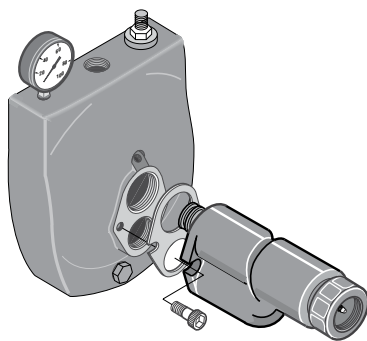


Figure 3: Mount Ejector – Shallow Well

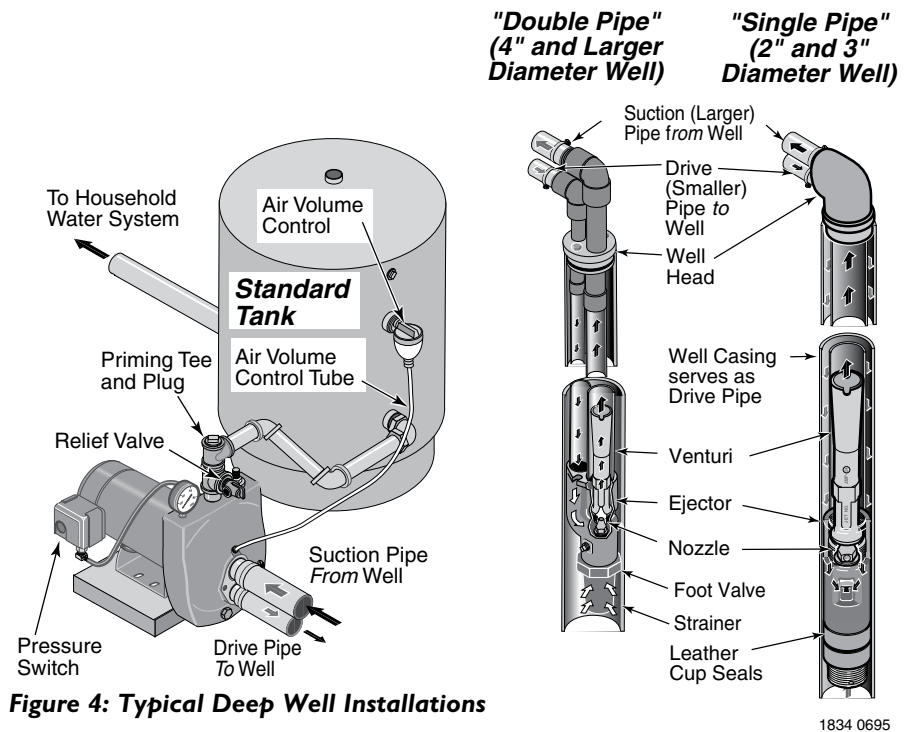


Figure 4: Typical Deep Well Installations

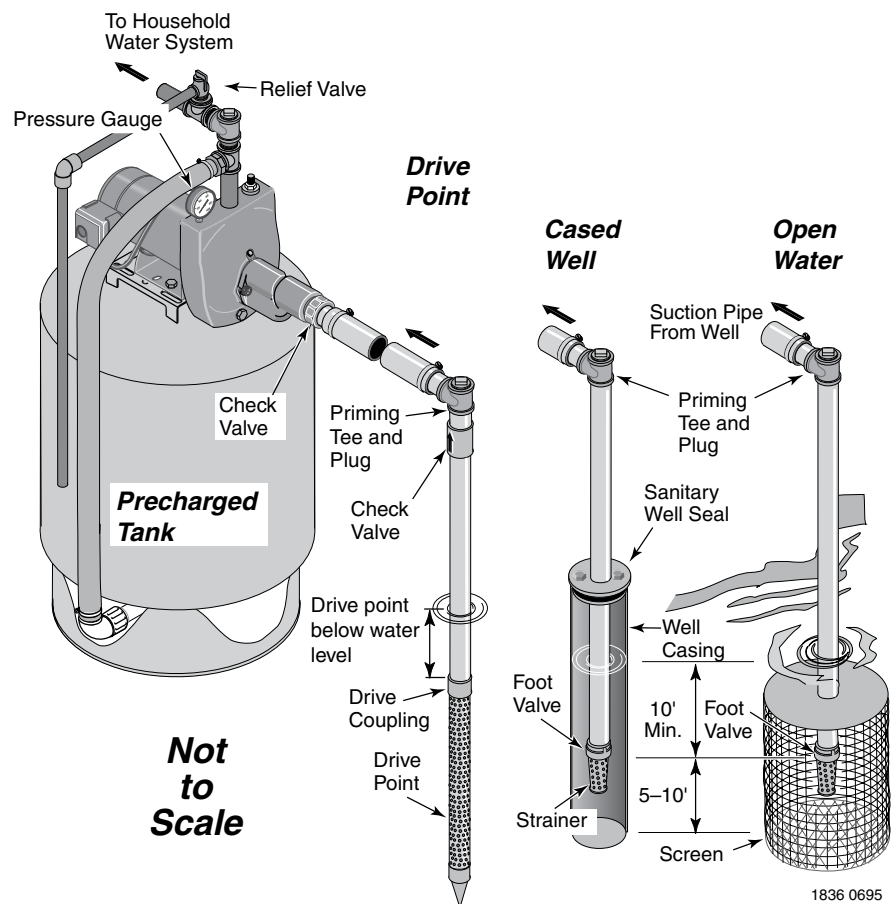


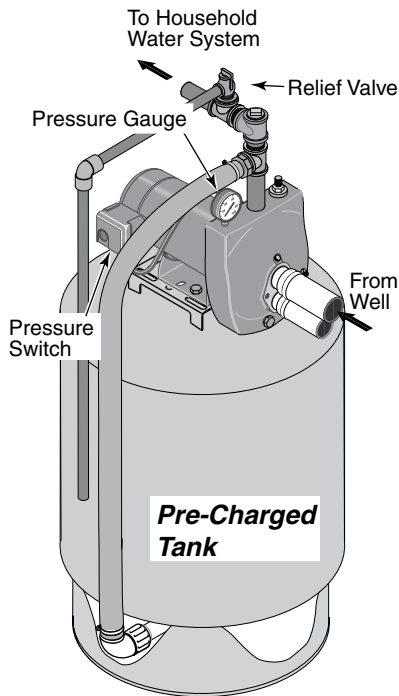
Figure 5: Typical Shallow Well Installations

PRE-CHARGE TANK CONNECTION (Figure 6)

If your system uses a Con-Aire (pre-charged) tank, it should be connected to the pump as shown in Fig. 6. The relief valve must be capable of passing the entire pump capacity at 100 PSI pressure.

Check the pre-charge of air in the tank with an ordinary tire gauge. The pre-charge is measured when there is no water pressure in the tank. Disconnect power to the pump and drain the tank before checking the pre-charge. Your pump has a 30/50 PSI switch, so the tank pre-charge pressure should be 28 PSI (that is, it should be 2 PSI lower than the cut-in pressure of the pressure switch).

No AVC is required for a pre-charged tank; the 1/8" NPT AVC port on the pump body should be plugged.



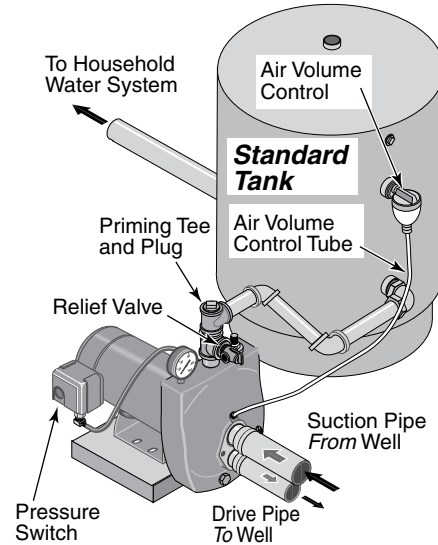
2110 0497

Figure 6: Pre-charged Tank Connections

STANDARD TANK CONNECTION (Figure 7)

If your system uses a standard tank, connect it to the pump as shown in Figure 7. The relief valve used with a standard tank must be capable of passing the entire pump capacity at 75 PSI pressure.

Connect the Air Volume Control (AVC) tube to the 1/8" NPT AVC port on the pump body. Run the tubing from the pump's AVC port to the AVC mounted on the tank. See the instructions provided with tank and AVC for details.



2096 0497

Figure 7: Standard Tank Connections

Sealing Pipe Joints

Use only PTFE pipe thread sealant tape for making all threaded connections to the pump itself. **Do not use pipe joint compounds on plastic pumps:** they can react with the plastic in pump components. Make sure that all pipe joints in the suction pipe are air tight as well as water tight. *If the suction pipe can suck air, the pump will not be able to pull water from the well.*

⚠ Disconnect power before working on pump, motor, pressure switch, or wiring.

MOTOR SWITCH SETTINGS

NOTICE: 1/2 HP motors are wired for 115 volts only, and have no motor wiring to change. 3/4 HP or 1 HP motor terminal boards (located under the motor end cover) should look like one of those below. If the motor can operate at either 115 or 230 volts, it is set at the factory to 230 volts. Do not change motor wiring if line voltage is 230 volts, or if you have a single voltage motor.

⚠ CAUTION Never wire a 115 volt motor to a 230 volt line.

Plug Type Voltage Selector

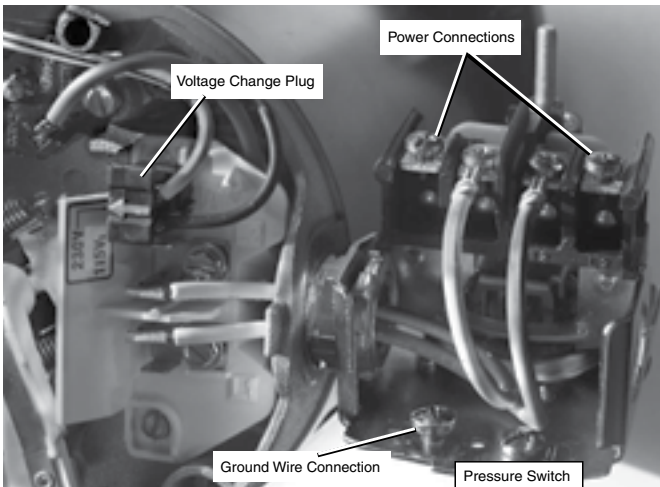


Figure 8: Voltage set to 230 volts, Plug Type

Voltage is factory set to 230 volts. To change to 115 volts:

1. Make sure power is off.
2. Pull the voltage change plug off of the tabs.
3. Move the voltage change plug to the 115 volt position. The plug will now cover 2 metal tabs and the arrow on the plug will line up with the 115V arrow on the label (see Figure 9).



Figure 9: Voltage set to 115 volts, Plug Type

4. Attach the incoming power leads to the two outer screws on the pressure switch as shown in Figure 8.
5. Attach the ground wire to one of the grounding connections, shown in Figure 8.
6. If there are other wires, they should be capped.
7. Reinstall the Motor end cover.

Dial Type Voltage Selector

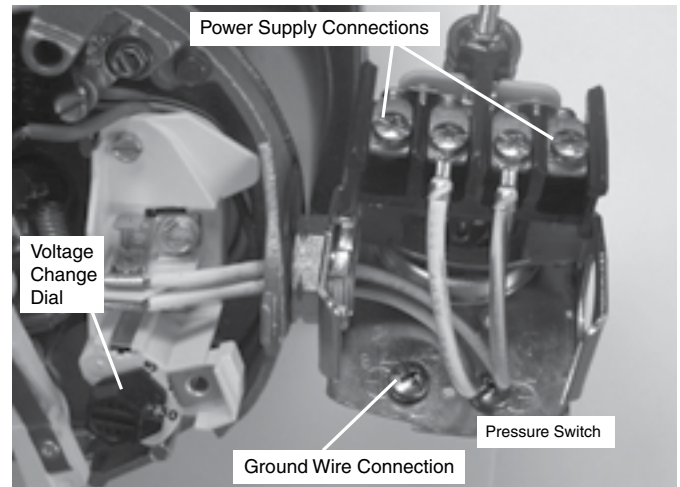


Figure 10: Voltage set to 230 volts, Dial Type

Voltage is factory set to 230 volts. To change to 115 volts:

1. Make sure power is off.
2. Turn the dial counter-clockwise until 115 shows in the dial window as shown in Figure 11.



Figure 11: Voltage set to 115 volts, Dial Type

3. Attach the incoming power leads to the two outer screws on the pressure switch as shown in Figure 10.
4. Attach the ground wire to the grounding connections as shown in Figure 10.
5. If there are other wires, they should be capped.
6. Reinstall the Motor end cover.

⚠ WARNING Hazardous voltage. Can shock, burn, or kill. Connect ground wire before connecting power supply wires. Use the wire size (including the ground wire) specified in the wiring chart. If possible, connect the pump to a separate branch circuit with no other appliances on it.

⚠ WARNING Explosion hazard. Do not ground to a gas supply line.

WIRING CONNECTIONS

⚠ WARNING Fire hazard. Incorrect voltage can cause a fire or seriously damage the motor and voids the warranty. The supply voltage must be within ±10% of the motor nameplate voltage.

NOTICE: Dual-voltage motors are factory wired for 230 volts. If necessary, reconnect the motor for 115 volts, as shown. Do not alter the wiring in single voltage motors.

Install, ground, wire, and maintain your pump in compliance with the National Electrical Code (NEC) or the Canadian Electrical Code (CEC), as applicable, and with all local codes and ordinances that apply. Consult your local building inspector for code information.

Connection Procedure:

- Step 1. Connect the ground wire as shown in Figure 11. The ground wire must be a solid copper wire at least as large as the power supply wires.
- Step 2. There must be a solid metal connection between the pressure switch and the motor for motor grounding protection. If the pressure switch is not connected to the motor, connect the green ground screw in the switch to the green ground screw under the motor end cover. Use a solid copper wire at least as large as the power supply wires.
- Step 3. Connect the ground wire to a grounded lead in a service panel, to a metal underground water pipe, to a metal well casing at least ten feet (3M) long, or to a ground electrode provided by the power company or the hydro authority.
- Step 4. Connect the power supply wires to the pressure switch as shown in Figure 11.

Table I: Wiring Chart – Recommended Wire and Fuse Sizes

Model	HP	Max Load Amps	Branch Fuse Rating Amps	Distance in Feet (Meters); Wire Size AWG (mm ²)				
				0-100 (0-30)	101-200 (31-61)	201-300 (62-91)	301-400 (92-122)	401-500 (123-152)
115Volts:								
SLC	1/2	9.9	15	14(2)	10(5.5)	8(8.4)	8(8.4)	6(14)
HLC	1/2	12.4	20	12(3)	10(5.5)	8(8.4)	6(14)	6(14)
SLD	3/4	12.4	20	12(3)	10(5.5)	8(8.4)	6(14)	6(14)
HLD	3/4	14.8	20	12(3)	8(8.4)	6(14)	6(14)	4(21)
SLE	1	14.8	20	12(3)	8(8.4)	6(14)	6(14)	4(21)
HLE	1	19.9	25	10(5.5)	8(8.4)	6(14)	4(21)	4(21)
SLF	1-1/2	19.9	25	10(5.5)	8(8.4)	6(14)	4(21)	4(21)
230 Volts:								
SLC	1/2	4.9	15	14(2)	14(2)	14(2)	14(2)	12(3)
HLC	1/2	6.2	15	14(2)	14(2)	14(2)	12(3)	12(3)
SLD	3/4	6.2	15	14(2)	14(2)	14(2)	12(3)	12(3)
HLD	3/4	7.4	15	14(2)	14(2)	14(2)	12(3)	10(5.5)
SLE	1	7.4	15	14(2)	14(2)	14(2)	12(3)	10(5.5)
HLE	1	9.9	15	14(2)	14(2)	12(3)	10(5.5)	10(5.5)
SLF	1-1/2	9.9	15	14(2)	14(2)	12(3)	10(5.5)	10(5.5)

⚠ WARNING Never run pump against closed discharge. To do so can boil water inside pump, causing hazardous pressure in unit, risk of explosion and possibly scalding persons handling pump.

⚠ CAUTION Never run pump dry. Running pump without water may cause pump to overheat, damaging seal and possibly causing burns to persons handling pump. Fill pump with water before starting.

Step 1. Open the control valve as far as possible (see Figure 12). Then remove the priming plug from the pump and fill the pump, fill all piping between the pump and the well, and make sure that all piping in the well is full. If you have also installed a priming tee in the suction piping, remove the plug from the tee and fill the suction piping.

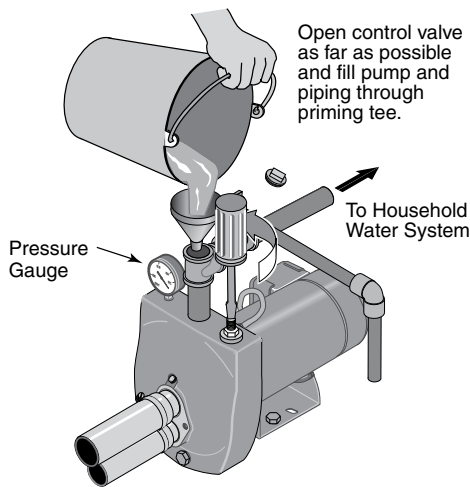


Figure 12: Fill Pump

Step 2. Replace all fill plugs and close the control valve completely (Figure 13).

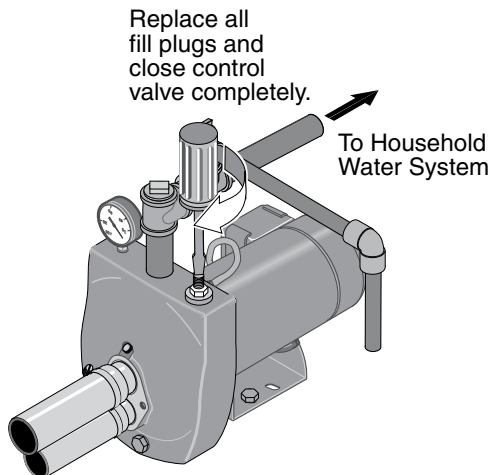


Figure 13: Prime Pump

Step 3. Power on! Start the pump and watch the pressure gauge. The pressure should build rapidly to 50 PSI as the pump primes.

Step 4. After 2 or 3 minutes, the gauge should show pressure. If not, stop the pump, remove the fill plugs, reopen the control valve, and refill the pump and piping. You may have to repeat this two or three times in order to get all the trapped air out of the piping. Don't forget to close the control valve each time before you start the pump.

Step 5. When pressure has built up and stabilized at about 50 PSI, slowly open the control valve (see Figure 14) and let the pressure drop until the pressure gauge needle starts to flutter. When the needle flutters, close the valve just enough to stop the flutter (see Figure 14). Your pump is now operating at its most efficient point.

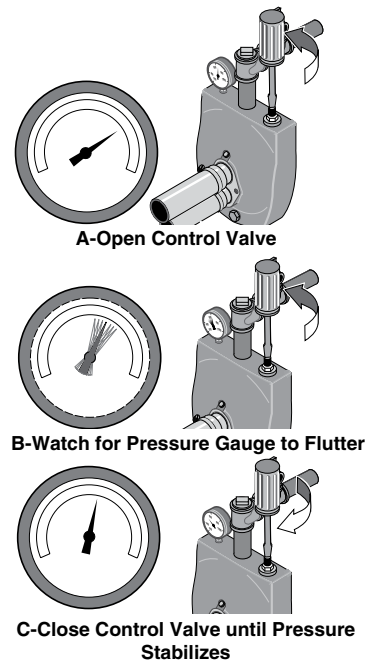


Figure 14: Set Control Valve

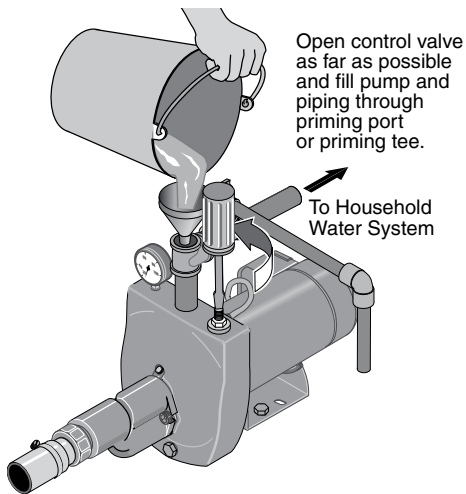
Step 6. After the pump has built up pressure in the system and shut off, check the pressure switch operation by opening a faucet or two and running enough water out to bleed off pressure until the pump starts. The pump should start when pressure drops to 30 PSI and stop when pressure reaches 50 PSI. Run the pump through one or two complete cycles to verify correct operation. This will also help clean the system of dirt and scale dislodged during installation.

NOTICE: Packer jets (2" and 3" single pipe wells) do not form a perfect seal. Normal irregularities in the cup seal leather and the inner walls of the casing will allow the pressure in a dormant system to leak off over time. This will cause the pump to cycle periodically to maintain the system pressure level.

⚠ WARNING Never run pump against closed discharge. To do so can boil water inside pump, causing hazardous pressure in unit, risk of explosion and possibly scalding persons handling pump.

⚠ CAUTION Never run pump dry. Running pump without water may cause pump to overheat, damaging seal and possibly causing burns to persons handling pump. Fill pump with water before starting.

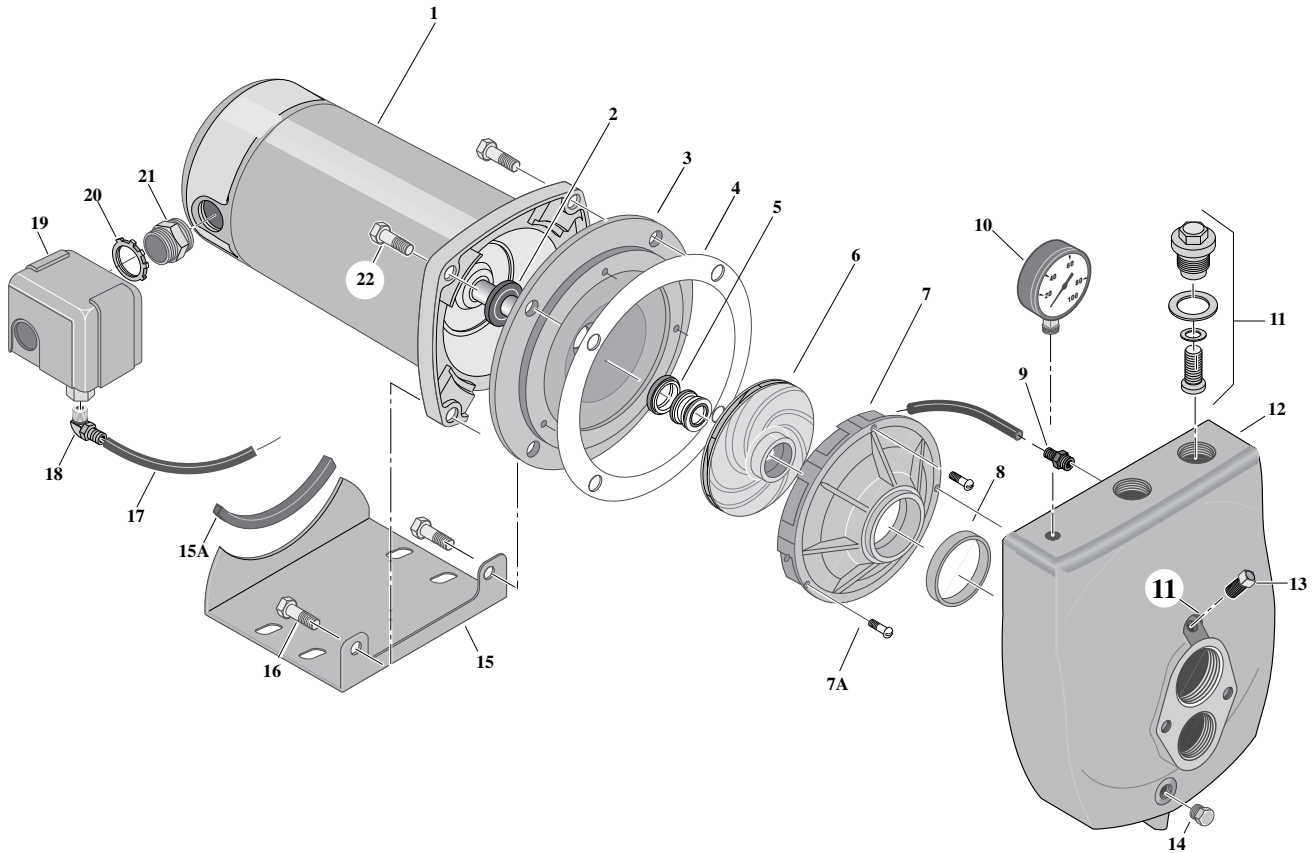
Step 1. Open the control valve as far as possible (see Figure 15). Then remove the priming plug from the pump and fill the pump, fill all piping between the pump and the well, and make sure that all piping in the well is full. If you have also installed a priming tee *in* the suction piping, remove the plug from the tee and fill the suction piping.



2411 0497

Figure 15: Open Control Valve

- Step 2. Replace all fill plugs. Leave the control valve open (in a shallow well installation, the control valve always stays open).
- Step 3. Power on! Start the pump. The pump should pump water in two or three minutes.
- Step 4. If you don't have water after 2 or 3 minutes, stop the pump and remove the fill plugs. Refill the pump and piping. You may have to repeat this two or three times in order to get all the trapped air out of the piping. The control valve remains open throughout this procedure.
- Step 5. After the pump has built up pressure in the system and shut off, check the pressure switch operation by opening a faucet or two and running enough water out to bleed off pressure until the pump starts. The pump should start when pressure drops to 30 PSI and stop when pressure reaches 50 PSI. Run the pump through one or two complete cycles to verify correct operation. This will also help clean the system of dirt and scale dislodged during installation.



1623 0497

Repair Parts – Cast Iron Jet Pumps

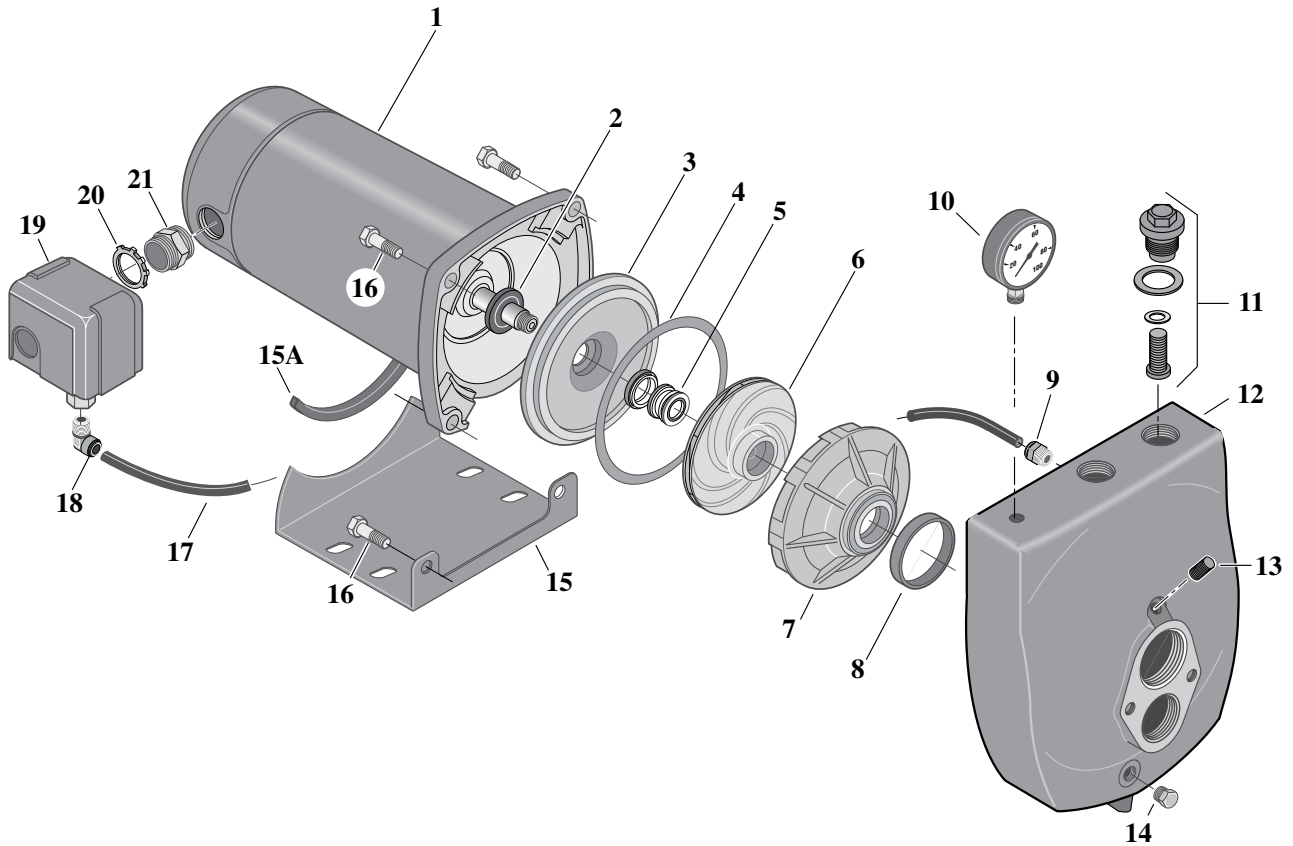
Key No.	Part Description	Qty.	HLD-L 3/4 HP	SLE-L 1 HP	HLE-L 1 HP	SLF-L 1-1/2 HP
1	Motor	1	J218-596PKG	J218-596PKG	J218-601PKG	J218-601PKG
#§2	Water Slinger	1	17351-0009	17351-0009	17351-0009	17351-0009
3	Seal Plate	1	L3-10	L3-10	L3-10	L3-10
#§4	Seal Plate Gasket	1	C20-21	C20-21	C20-21	C20-21
#§5	Shaft Seal	1	U109-6A	U109-6A	U109-6A	U109-6A
#6	Impeller	1	J105-85P	J105-85P	J105-22PA	J105-22PA
#7	Diffuser	1	L1-47P	L1-47P	L1-23P	L1-23P
7A	8-32x3/4" Rd. Hd. Capscrew	3	U30-489SS	U30-489SS	U30-489SS	U30-489SS
#§8	Diffuser Ring	1	L21-1	L21-1	L21-1	L21-1
9	Quick Connect – Straight	1	U11-217P	U11-217P	U11-217P	U11-217P
10	Pressure Gauge	1	U239-2	–	U239-2	–
11	Control Valve Assembly	1	L262-5PS	L262-5PS	L262-5PS	L262-5PS
12	Pump Body	1	L76-49	L76-49	L76-49	L76-49
13	Pipe Plug	1	U78-56ZPS	U78-56ZPS	U78-56ZPS	U78-56ZPS
14	Drain Plug	1	U78-941ZPV	U78-941ZPV	U78-941ZPV	U78-941ZPV
15	Base	1	J104-9C	J104-9C	J104-9C	J104-9C
15A	Motor Pad	1	C35-5	C35-5	C35-5	C35-5
16	3/8-16x1-1/2" Capscrew	2	U30-76ZP	U30-76ZP	U30-76ZP	U30-76ZP
17	Switch Tube	1	U37-672P	U37-677P	U37-677P	U37-677P
18	Quick Connect – Elbow	1	U11-218P	U11-218P	U11-218P	U11-218P
19	Pressure Switch	1	U217-1216	U217-1225	U217-1216	U217-1225
20	Lock Nut	1	U36-112ZP	U36-112ZP	U36-112ZP	U36-112ZP
21	Connector	1	L43-5C	L43-5C	L43-5C	L43-5C
22	3/8-16x1-1/4" Capscrew	2	U30-75ZP	U30-75ZP	U30-75ZP	U30-75ZP

SERVICE KITS

§	Seal and Gasket Kit	PP1551	PP1551	PP1551	PP1551
#	Overhaul Kit	PP1566	PP1566	PP1564	PP1564

NOTICE: § Included in Seal and Gasket Kit.

Included in Overhaul Kit.



Repair Parts – Cast Iron Jet Pumps

Key No.	Part Description	Qty.	SLC-L 1/2 HP	SLD-L 3/4 HP	HLC-L 1/2 HP
1	Motor	1	J218-582APKG	J218-590PKG	J218-590PKG
#§2	Water Slinger	1	17351-0009	17351-0009	17351-0009
3	Seal Plate	1	N3-1043P	N3-1043P	N3-1043P
#§4	Seal Plate Gasket	1	N20-35	N20-35	N20-35
#§5	Shaft Seal	1	U109-6A	U109-6A	U109-6A
#6	Impeller	1	J105-40P	J105-86P	J105-86P
#7	Diffuser	1	L1-25P	L1-48P	L1-48P
#§8	Diffuser Ring	1	L21-1	L21-1	L21-1
9	Quick Connect – Straight	1	U11-217P	U11-217P	U11-217P
10	Pressure Gauge	1	–	–	U239-2
11	Control Valve Assembly	1	01322	01322	01322
12	Pump Body	1	L76-48	L76-48	L76-48
13	Pipe Plug	1	U78-56ZPS	U78-56ZPS	U78-56ZPS
14	Drain Plug	1	U78-941ZPV	U78-941ZPV	U78-941ZPV
15	Base	1	J104-9C	J104-9C	J104-9C
15A	Motor Pad	1	C35-5	C35-5	C35-5
16	3/8-16x1-1/4" Capscrew	4	U30-75ZP	U30-75ZP	U30-75ZP
17	Switch Tube	1	U37-672P	U37-672P	U37-672P
18	Quick Connect – Elbow	1	U11-218P	U11-218P	U11-218P
19	Pressure Switch	1	U217-1225	U217-1225	U217-1216
20	Lock Nut	1	U36-112ZP	U36-112ZP	U36-112ZP
21	Connector	1	L43-5C	L43-5C	L43-5C
•	Plug	1	U78-941ZPV	U78-941ZPV	–

• Not illustrated.

SERVICE KITS

§	Seal and Gasket Kit	PP1551	PP1551	PP1551
#	Overhaul Kit	PP1560	PP1565	PP1566

NOTICE: § Included in Seal and Gasket Kit. # Included in Overhaul Kit.

Symptoms	Things to Do:
A. Motor will not run.	<p>A. Check that the disconnect switch is ON and that the circuit breaker has not tripped or the fuse has not blown.</p> <p>DISCONNECT POWER and make sure that wires connecting motor to power supply and pressure switch are tight and correctly connected (see Page 6).</p> <p>If the remedies above do not solve the problem, call your well professional.</p>
B. Motor runs hot and overload trips.	<p>B. Turn to electrical instructions on Page 6 and verify that motor is correctly wired.</p> <p>Check with the power company or hydro authority to make sure that the voltage at the pump is within $\pm 10\%$ of the motor's rated nameplate voltage.</p> <p>DISCONNECT POWER and make sure that the wires connecting the motor to the power supply are sized according to Table I, Page 7.</p> <p>If not, rewire according to the instructions on Page 6.</p> <p>If the pump is cycling too frequently, see Section E, below.</p>
C. Motor runs but no water is delivered.	<p>C. FIRST, check the prime; that is, make sure that the pump and all the suction piping plus the piping in the well are full of water. If they aren't, fill them up.</p> <p>In cold weather, make sure that the pipes and pump are not frozen. If they are, thaw them, watching out for split pipes and fittings as you work. Heat the pump pit or pump house and bury all piping below the frost line.</p> <p>Other possible causes (call your pump professional if you suspect one of these): Air leaks in the suction line, dropping water level in the well, foot valve stuck or plugged, ejector plugged, impeller plugged, foot valve or strainer stuck in the mud in the bottom of the well, a shallow well pump installed on a well with more than 25 ft depth to water (in this case a deep well jet pump is needed).</p>
D. Pump does not deliver water to full capacity.	<p>D. Possible causes are: the well water level is lower than estimated, making a different nozzle/venturi combination necessary; steel piping (if used) is corroded or limed, restricting capacity and increasing friction; or the piping is too small for the installation. Consult your well professional for any of these conditions.</p>
E. Pump cycles too frequently or does not shut off at all.	<p>E. Make sure no faucets have been left open.</p> <p>If system has a standard tank, make sure it isn't waterlogged. If it is, drain it down to the level of the air volume control. Make sure the AVC isn't defective and that there are no leaks at any connections.</p> <p>If system has a precharged tank, disconnect power, open all system faucets and bleed all pressure off of tank. Use a tire gauge to check the air pressure in the tank. This should be lower than the cut-in setting of the pressure switch by 2 PSI (that is, if the pressure switch starts the pump at 30 PSI, the precharge should be 28 PSI). Check the air valve for leaks (use a soap solution) and replace the core if necessary.</p> <p>If you suspect any of the following conditions, consult your well professional: leaky pipes, leaky foot valve, water level in the well lower than estimated, clogged ejector or impeller.</p>
F. Air spurts from faucets.	<p>F. Pump may still be priming; when priming is complete all air will have been ejected from the system.</p> <p>If you suspect leaks in the suction piping, gasses in the well, or that the pump is intermittently overpumping the well (that is, drawing the water level down below the foot valve), consult your well professional.</p>
G. Pump leaks around clamp.	<p>G. Tighten clamp nut 1-2 turns. <i>Do not overtighten.</i></p>

LIRE TOUTES CES INSTRUCTIONS ET LES SUIVRE!

⚠ Ce symbole indique qu'il faut être prudent.

Lorsque ce symbole apparaît sur la pompe ou dans cette Notice, rechercher une des mises en garde qui suivent, car elles indiquent un potentiel possible de blessures corporelles :

⚠ DANGER avertit d'un danger **qui causera** des blessures corporelles, la mort ou des dommages matériels importants si on l'ignore.

⚠ AVERTISSEMENT avertit d'un danger **qui risque** de causer des blessures corporelles, la mort ou des dommages matériels importants si on l'ignore.

⚠ ATTENTION avertit d'un danger qui **causera** ou qui **risquera** de causer des blessures corporelles, la mort ou des dommages matériels importants si on l'ignore.

Le mot **NOTA** indique des instructions spéciales et importantes n'ayant aucun rapport avec les dangers.

Lire attentivement toutes les consignes de sécurité contenues dans cette Notice ou collées sur la pompe.

Garder les autocollants de sécurité en bon état; les remplacer s'ils manquent ou s'ils ont été endommagés.

Avertissement lié à la Proposition 65 de la Californie

⚠ AVERTISSEMENT Ce produit et les accessoires connexes contiennent des produits chimiques reconnus dans l'État de la Californie comme pouvant provoquer des cancers, des anomalies congénitales ou d'autres dangers relatifs à la reproduction.

⚠ AVERTISSEMENT



Tension dangereuse. Risque de secousses électriques, de brûlures, voire de mort.

Mettre à la terre la pompe avant de la brancher sur le courant électrique. Couper l'arrivée de courant avant d'intervenir sur la pompe, sur le moteur ou sur le réservoir.

⚠ Câbler le moteur en fonction de la bonne tension. Voir la Section «Électricité» de cette Notice et la plaque signalétique du moteur.

⚠ Mettre à la terre le moteur avant de le brancher sur le courant électrique.

⚠ Conforme au Code national de l'électricité, au Code canadien de l'électricité et aux codes municipaux pour tous les câblages.

⚠ Respecter les instructions de câblage figurant dans cette Notice lorsque l'on branche le moteur sur une ligne haute tension.

SÉCURITÉ CONCERNANT L'ÉLECTRICITÉ

⚠ AVERTISSEMENT La tension du condensateur peut être dangereuse. Pour décharger le condensateur du moteur, tenir un tournevis à manche isolé **PAR LE MANCHE** et mettre en court-circuit les bornes du condensateur. Ne pas toucher la lame métallique du tournevis ni les bornes du condensateur. En cas de doute, consulter un électricien qualifié.

SÉCURITÉ GÉNÉRALE

⚠ ATTENTION Ne pas toucher un moteur qui fonctionne. Les moteurs modernes sont conçus pour fonctionner par des températures élevées. Pour ne pas se brûler lorsque l'on intervient sur la pompe, la laisser refroidir pendant 20 minutes après l'avoir arrêtée avant de la toucher.

Ne pas laisser geler la pompe ni aucun autre élément du système, sinon la garantie sera annulée.

Ne pomper que de l'eau avec cette pompe.

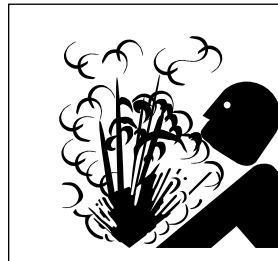
Périodiquement, inspecter la pompe et tous les éléments du système.

Toujours porter des lunettes de sécurité lorsque l'on intervient sur une pompe.

Garder la zone de travail propre, non encombrée et bien éclairée; tous les outils et tout l'équipement non utilisés doivent être entreposés correctement.

Ne pas laisser les visiteurs s'approcher de la zone de travail.

⚠ AVERTISSEMENT Le corps de la pompe peut exploser si la pompe est utilisée en tant que pompe de surpression, à moins qu'une soupape de sûreté pouvant laisser passer le débit maximum de la pompe à 100 lb/po² soit posée.



⚠ AVERTISSEMENT

Pression dangereuse! Poser une soupape de sûreté sur le tuyau de refoulement.

Dissiper toute la pression du système avant d'intervenir sur un élément.

	Page
Sécurité.....	13
Garantie.....	14
Installations typiques.....	15
Branchements du tuyau de refoulement et sur un réservoir sous pression.....	16
Électricité.....	17, 18
Préparations avant le démarrage de la pompe - Puits profond.....	19
Préparations avant le démarrage de la pompe - Puits peu profond.....	20
Pièces de rechange.....	21, 22
Diagnostic des pannes.....	23

Garantie limitée

STA-RITE garantit au consommateur initial (ci-après appelé l'« Acheteur ») que les produits énumérés dans les présentes sont exempts de défaut de matériau et de fabrication pendant la durée des garanties à compter de la durée des garanties indiquées ci-dessous.

Produits	Durée des garanties
Produits de systèmes d'eau — Pompes à éjecteur, petites pompes centrifuges, pompes submersibles et tous les accessoires connexes	<i>Selon le premier terme atteint :</i> 12 mois à compter de la date de la première installation ou 18 mois à compter de la date de fabrication
Réservoirs composites Pro-Source™	5 ans à compter de la date de la première installation
Réservoirs sous pression en acier Pro-Source™	5 ans à compter de la date de la première installation
Réservoirs revêtus d'époxyde Pro-Source™	3 ans à compter de la date de la première installation
Produits de puisard/d'égout/d'effluents	12 mois à compter de la date de la première installation ou 18 mois à compter de la date de fabrication

Nos garanties ne s'appliquent pas aux produits ayant fait l'objet de négligence, d'une mauvaise utilisation, d'une mauvaise installation ou d'un manque d'entretien adéquat. Sans aucune limitation des présentes, la garantie des moteurs triphasés submersibles sera nulle et non avenue si ces moteurs sont branchés et fonctionnent sur le courant monophasé par l'intermédiaire d'un déphaseur. Il faut également noter que les moteurs triphasés doivent être protégés par un relais de surcharge tripolaire thermocompensé à déclenchement extrêmement rapide du calibre recommandé, sinon la garantie sera nulle et non avenue.

Le seul recours de l'Acheteur et la seule responsabilité de STA-RITE consistent à réparer ou à remplacer (au choix de STA-RITE) les produits qui se révéleraient défectueux. L'Acheteur s'engage à payer tous les frais de main d'œuvre et d'expédition du produit couvert par sa garantie et de s'adresser au concessionnaire-installateur ayant procédé à l'installation dès qu'un problème est découvert pour obtenir un service sous garantie. Aucune demande de service en vertu de sa garantie ne sera acceptée après expiration de la durée de sa garantie. Ces garanties ne sont pas transférables.

STA-RITE DÉCLINE TOUTE RESPONSABILITÉ POUR TOUT DOMMAGE INDIRECT OU FORTUIT QUEL QU'IL SOIT.

LA GARANTIE LIMITÉE SUSMENTIONNÉE EST EXCLUSIVE ET REMPLACE TOUTES LES AUTRES GARANTIES EXPRESSES ET TACITES, Y COMPRIS, MAIS SANS S'Y LIMITER, LES GARANTIES DE QUALITÉ MARCHANDE ET D'ADAPTATION À UN USAGE PARTICULIER. LA GARANTIE LIMITÉE SUSMENTIONNÉE NE DOIT PAS ÊTRE PROLONGÉE AU-DELÀ DE LA DURÉE PRÉVUE AUX PRÉSENTES.

Certains états, territoires et certaines provinces ne permettent pas l'exclusion ou la limitation des dommages indirects ou fortuits, ni les limitations relatives à la durée des garanties tacites. Par conséquent, il se peut que les limitations ou les exclusions stipulées dans les présentes ne s'appliquent pas dans ce cas. Ces garanties accordent des droits juridiques précis, bien que l'on puisse bénéficier d'autres droits, selon la province, le territoire ou l'état dans lequel on réside.

La présente garantie limitée est entrée en vigueur le 1er juin 2011 et remplace toute garantie non datée ou antérieure à cette date.

STA-RITE INDUSTRIES

293 Wright Street • Delavan, WI U.S.A. 53115

Tél. : | 888-782-7483 • Télécopieur : | 800 426-9446 • Site Web : sta-rite.com

Tuyauterie non montrée pour plus de clarté

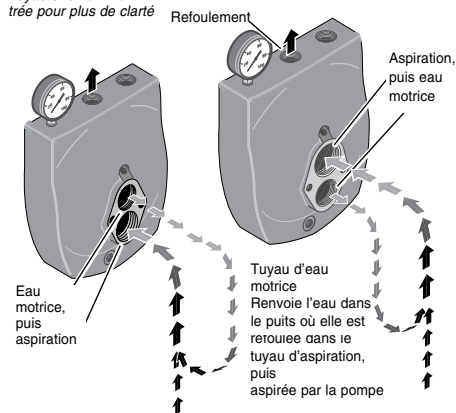


Figure 1 : Fonctions eau motrice et aspiration

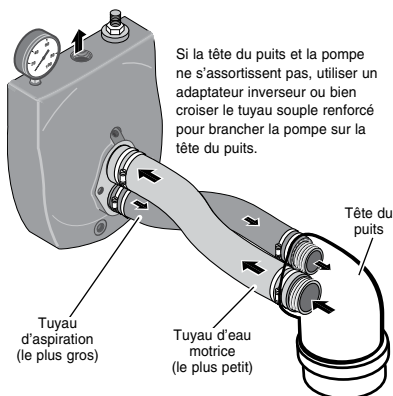


Figure 2 : Branchement inversé dans le puits

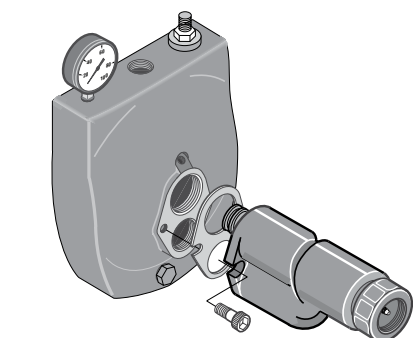


Figure 3 : Montage de l'éjecteur - puits peu profonds

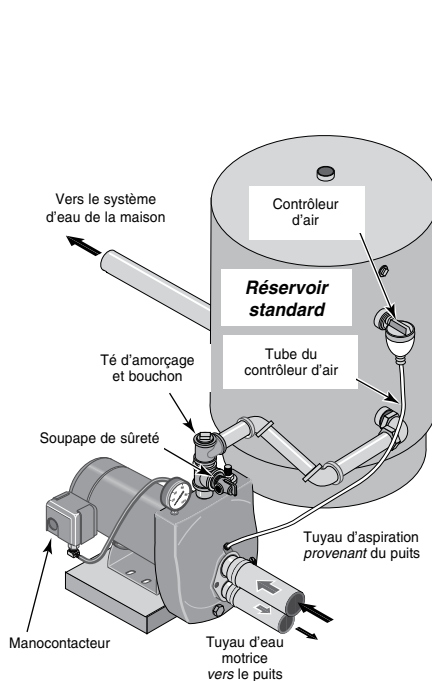
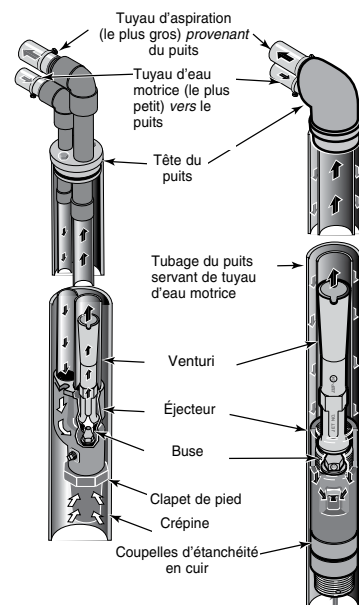


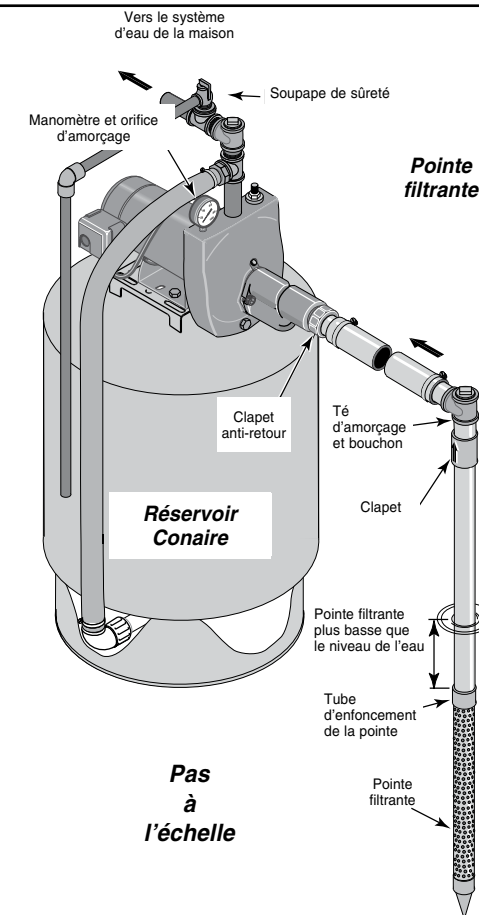
Figure 4 : Installations typiques dans un puits profond

«Deux tuyaux»
(puits de 4 po de dia.
et plus grand)

«Un seul tuyau»
(puits de 2
et 3 po)



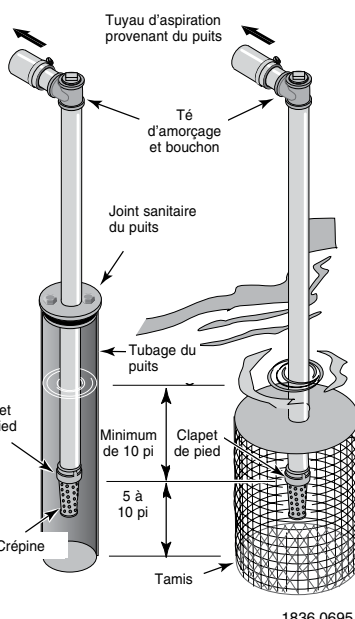
1834 0695



Pas à l'échelle

Puits à tubage

Eau à ciel ouvert



1836 0695

Figure 5 : Installations typiques dans un puits peu profond

BRANCHEMENT SUR UN RÉSERVOIR PRÉCHARGÉ (Figure 6)

Si le système est branché sur un réservoir Con-Aire® (réservoir préchargé), il devra être branché sur la pompe, comme il est illustré à la Figure 6. La soupape de sûreté doit pouvoir laisser passer tout le débit de la pompe à une pression de 100 lb/po². Vérifier la précharge d'air dans le réservoir avec un manomètre pour pneu. La précharge se mesure *lorsque le réservoir n'est pas sous pression d'eau*. Couper le courant électrique parvenant à la pompe et vider le réservoir avant de vérifier la précharge. Cette pompe neuve est équipée d'un manocapteur de 30-50 lb/po²; la pression de précharge du réservoir devra donc être réglée à 28 lb/po², ce qui représente 2 lb/po² de moins que le réglage de la pression d'enclenchement du manocapteur de la pompe.

Aucun contrôleur d'air n'est requis dans le cas d'un réservoir préchargé; l'orifice de 1/8 de pouce NPT prévu pour le contrôleur d'air et pratiqué dans le corps de la pompe devra être bouché.

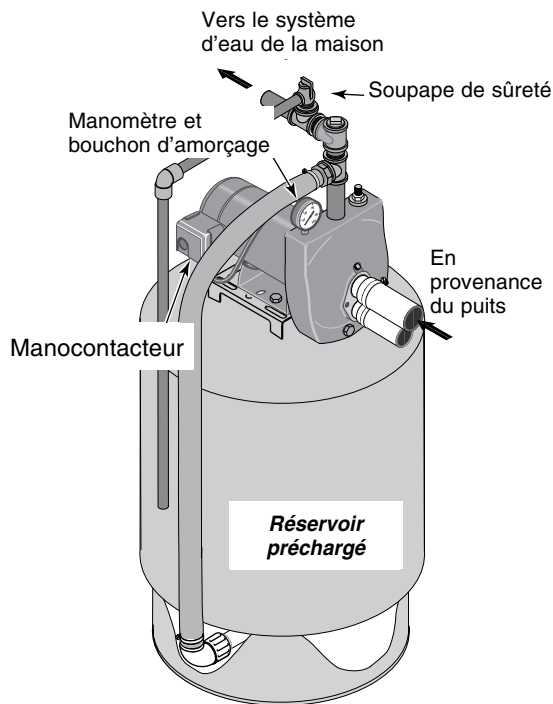


Figure 6 : Branchements sur un réservoir préchargé

BRANCHEMENT SUR UN RÉSERVOIR STANDARD (Figure 7)

Si le système est branché sur un réservoir standard, le brancher sur la pompe comme il est illustré à la Figure 7. La soupape de sûreté utilisée avec un réservoir standard doit pouvoir laisser passer tout le débit de la pompe à une pression de 75 lb/po².

Brancher le tube du contrôleur d'air sur l'orifice de 1/8 de pouce NPT pratiqué dans le corps de la pompe. Amener le tube de l'orifice du contrôleur d'air de la pompe jusqu'au contrôleur d'air monté sur le réservoir. Pour plus de détails, se reporter aux instructions fournies avec le réservoir et le contrôleur d'air.

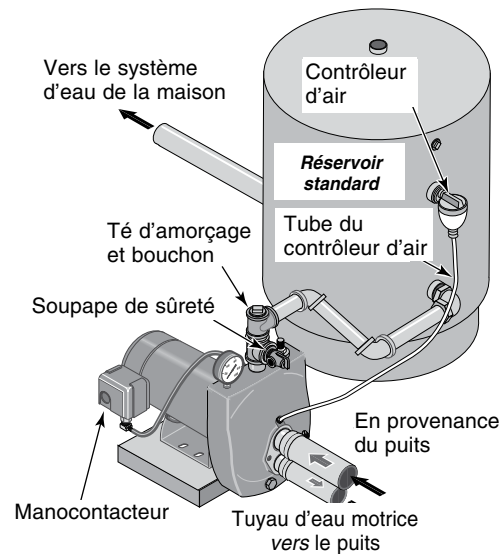


Figure 7 : Branchements sur un réservoir standard

Étanchéité des raccords des tuyaux

N'utiliser que du ruban détaché en PTFE pour filetage pour procéder à tous les raccords filetés sur la pompe. **Ne pas utiliser de pâte pour raccords filetés sur les pompes en plastique** : cette pâte peut réagir avec les éléments en plastiques de la pompe. S'assurer que tous les raccords du tuyau d'aspiration sont bien étanches, aussi bien à l'air qu'à l'eau. *Si le tuyau d'aspiration aspire de l'air, la pompe ne pompera pas l'eau du puits.*

⚠ Débrancher le courant électrique avant d'intervenir sur la pompe, le moteur, le manostat ou le câblage.

RÉGLAGES DE L'INTERRUPTEUR DU MOTEUR

REMARQUE : Les moteurs de 1/2 ch sont câblés pour fonctionner sur un courant de 115 volts seulement; il ne faut donc changer aucun câble.

Les plaquettes de connexions des moteurs de 3/4 ch ou de 1 ch (situées sous le couvercle arrière du moteur) ressemblent à l'un des types décrits ci-dessous. Si le moteur peut fonctionner sur courant de 115 ou de 230 volts, il est réglé en usine pour un courant de 230 volts. Ne pas modifier le câblage du moteur si le courant est de 230 volts ou s'il s'agit d'un moteur à une tension.

⚠ ATTENTION Ne jamais relier un moteur de 115 volts à une canalisation de 230 volts.

Sélecteur de tension à fiche

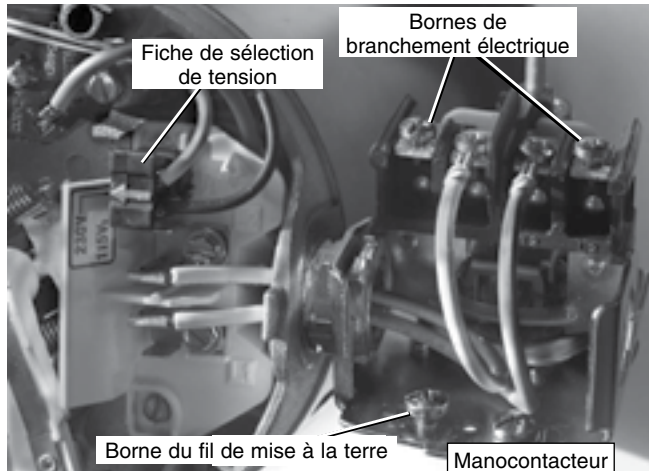


Figure 8 : Tension réglée à 230 volts sur sélecteur à fiche

La tension est réglée en usine à 230 volts. Pour passer au courant de 115 volts :

1. S'assurer que le courant est coupé.
2. Décrocher la fiche de sélection de tension de ses pattes.
3. Déplacer la fiche sur le courant de 115 volts. Sur cette position, la fiche couvre 2 pattes métalliques et la flèche sur la prise est alignée sur la flèche **115V** de l'étiquette (figure 9).



Figure 9 : Tension réglée à 115 volts sur sélecteur à fiche

4. Fixer les fils d'arrivée de courant aux deux vis extérieures du manostat (figure 8).
5. Relier le fil de terre à l'une des bornes de mise à la terre (figure 8).
6. S'il y a d'autres fils, leurs bouts doivent être isolés.
7. Reposer le couvercle d'extrémité du moteur.

Sélecteur de tension à cadran

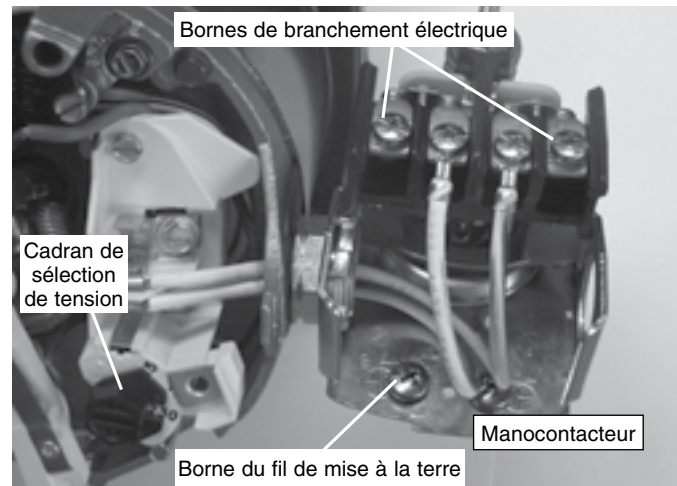


Figure 10 : Tension réglée à 230 volts sur sélecteur à cadran

La tension est réglée en usine à 230 volts. Pour passer au courant de 115 volts :

1. S'assurer que le courant est coupé.
2. Tourner le cadran dans le sens des aiguilles d'une montre jusqu'à ce que le nombre 115 soit visible dans la fente du cadran (figure 11).



Figure 11 : Tension réglée à 115 volts sur sélecteur à cadran

3. Fixer les fils d'arrivée de courant aux deux vis extérieures du manostat (figure 10).
4. Relier le fil de terre aux bornes de raccord de mise à la terre (figure 10).
5. S'il y a d'autres fils, leurs bouts doivent être isolés.
6. Reposer le couvercle d'extrémité du moteur.

⚠ AVERTISSEMENT Tension dangereuse. Risque de secousses électriques, de brûlures, voire la mort. Brancher le fil de terre avant de brancher les fils de tension. Utiliser des fils de calibre spécifié (y compris le fil de terre) dans le tableau de câblage. Dans la mesure du possible, brancher la pompe sur un circuit séparé, sur lequel aucun autre appareil ne sera branché.

⚠ AVERTISSEMENT Risque d'explosion. Ne pas mettre à la terre sur une conduite de gaz.

CONNEXIONS DES FILS

⚠ AVERTISSEMENT Risque d'incendie. L'utilisation d'une mauvaise tension risque de causer un incendie ou d'endommager gravement le moteur et d'annuler la garantie. La tension d'alimentation doit correspondre à $\pm 10\%$ de la tension figurant sur la plaque signalétique du moteur.

NOTA : Les moteurs bi-tension sont câblés à l'usine pour fonctionner sur le 230 volts. Au besoin, recâbler le moteur pour qu'il fonctionne sur le 115 volts, comme il est illustré. Ne pas modifier le câblage des moteurs fonctionnant sur une tension.

Installer la pompe, la mettre à la terre, la câbler et l'entretenir conformément au National Electrical Code (NEC) ou au Code canadien de l'électricité, selon le cas, et conformément à tous les codes et décrets en vigueur de la municipalité. Consulter l'inspecteur des bâtiments de la localité pour plus de renseignements sur les codes.

Méthodes de connexion :

1. Brancher tout d'abord le fil de mise à la terre, comme il est illustré à la Figure 11. Le fil de mise à la terre doit être un fil de cuivre massif d'un diamètre au moins aussi gros que le diamètre des fils de tension.
2. Il doit y avoir un raccordement en métal solide entre le manostat et le moteur pour une protection à la terre du moteur. Si le manostat n'est pas branché sur le moteur, brancher la vis verte de mise à la terre du manostat sur la vis verte de mise à la terre qui se trouve sous le couvercle du moteur. Utiliser un fil de cuivre massif ayant un diamètre au moins aussi gros que celui des fils de tension.
3. Brancher le fil de mise à la terre sur le fil de mise à la terre du tableau de distribution, sur un tuyau métallique d'eau enterré, sur le tubage d'un puits en métal ayant au moins 10 pieds (3 mètres) de long, ou sur une électrode de mise à la terre que fournira la compagnie d'électricité.
4. Brancher les fils de tension sur le manostat, comme il est illustré à la Figure 11.

Tableau I : Câblage - Câbles et diamètres des fusibles recommandés

Modèle	ch	Charge max. en ampères	Fusible Intensité en ampères	Distance en pieds (mètres); Diamètre des fils - calibre AWG (mm ²)				
				0-100 (0-30)	101-200 (31-61)	201-300 (62-91)	301-400 (92-122)	401-500 (123-152)
115 volts :								
SLC	1/2	9,9	15	14(2)	10(5,5)	8(8,4)	8(8,4)	6(14)
HLC	1/2	12,4	20	12(3)	10(5,5)	8(8,4)	6(14)	6(14)
SLD	3/4	12,4	20	12(3)	10(5,5)	8(8,4)	6(14)	6(14)
HLD	3/4	14,8	20	12(3)	8(8,4)	6(14)	6(14)	4(21)
SLE	1	14,8	20	12(3)	8(8,4)	6(14)	6(14)	4(21)
HLE	1	19,9	25	10(5,5)	8(8,4)	6(14)	4(21)	4(21)
SLF	1-1/2	19,9	25	10(5,5)	8(8,4)	6(14)	4(21)	4(21)
230 volts :								
SLC	1/2	4,9	15	14(2)	14(2)	14(2)	14(2)	12(3)
HLC	1/2	6,2	15	14(2)	14(2)	14(2)	12(3)	12(3)
SLD	3/4	6,2	15	14(2)	14(2)	14(2)	12(3)	12(3)
HLD	3/4	7,4	15	14(2)	14(2)	14(2)	12(3)	10(5,5)
SLE	1	7,4	15	14(2)	14(2)	14(2)	12(3)	10(5,5)
HLE	1	9,9	15	14(2)	14(2)	12(3)	10(5,5)	10(5,5)
SLF	1-1/2	9,9	15	14(2)	14(2)	12(3)	10(5,5)	10(5,5)

⚠ AVERTISSEMENT Ne jamais faire fonctionner la pompe contre un refoulement fermé, sinon l'eau risque de bouillir à l'intérieur de la pompe, une accumulation dangereuse de pression risque de se produire, un danger d'explosion risque de s'en suivre et les personnes qui manipuleront la pompe pourront peut-être être ébouillantées.

⚠ ATTENTION Ne jamais faire fonctionner la pompe à sec. Faire fonctionner la pompe sans eau risque de causer une surchauffe de la pompe, d'endommager les joints et, possiblement, causer des brûlures aux personnes qui manipuleront la pompe. Faire le plein d'eau de la pompe avant de la démarrer.

1. Ouvrir au maximum la vanne de réglage (voir la Figure 12), déposer le bouchon d'amorçage de la pompe, puis faire le plein de la pompe, de toutes les tuyauteries entre la pompe et le puits et s'assurer que toutes les tuyauteries du puits sont pleines d'eau. Si un té d'amorçage a été posé sur le tuyau d'aspiration, déposer le bouchon du té et faire le plein de la tuyauterie d'aspiration.

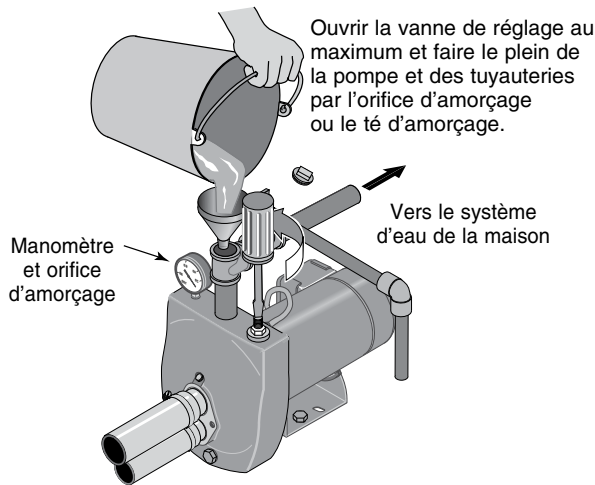


Figure 12 : Remplissage de la pompe

2. Reposer tous les bouchons de remplissage et fermer complètement la vanne de réglage (voir la Figure 13).

Reposer tous les bouchons de remplissage et bien fermer la vanne de réglage.

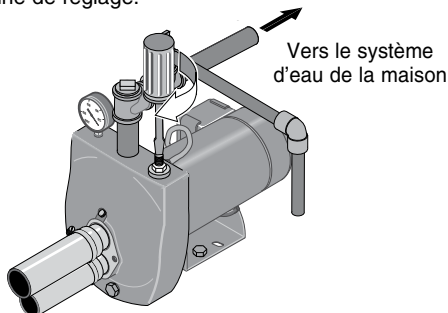


Figure 13 : Amorçage de la pompe

3. Établir le courant! Démarrer la pompe et surveiller le manomètre. Au fur et à mesure que la pompe s'amorce, la pression doit rapidement monter jusqu'à 50 lb/po².

4. Après 2 ou 3 minutes, le manomètre doit indiquer la pression. Sinon, arrêter la pompe, déposer les bouchons de remplissage, rouvrir la vanne de réglage et refaire le plein de la pompe et des tuyauteries. Il sera peut-être nécessaire de répéter cette opération deux ou trois fois de façon à chasser tout l'air pouvant être emprisonné dans les tuyauteries. Ne pas oublier de refermer la vanne de réglage avant de redémarrer la pompe.
5. Lorsque la pression s'est accumulée et stabilisée à environ 50 lb/po², ouvrir lentement la vanne de réglage (voir la Figure 14) et laisser chuter la pression jusqu'à ce que l'aiguille du manomètre commence à osciller. Pendant que l'aiguille oscille, fermer suffisamment la vanne de réglage pour arrêter l'aiguille d'osciller (voir la Figure 14). La pompe fonctionne maintenant à son point le plus efficace.

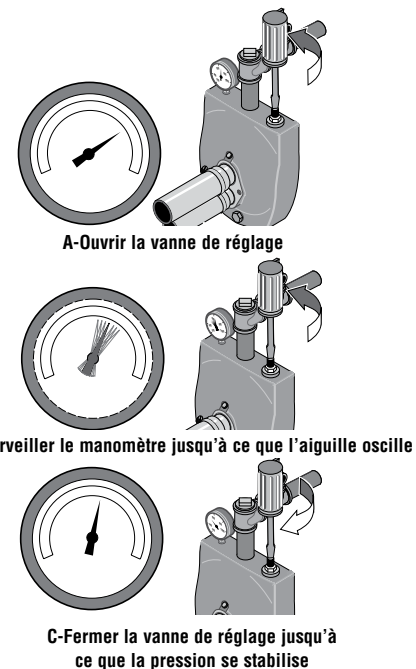


Figure 14 : Régler la vanne de réglage

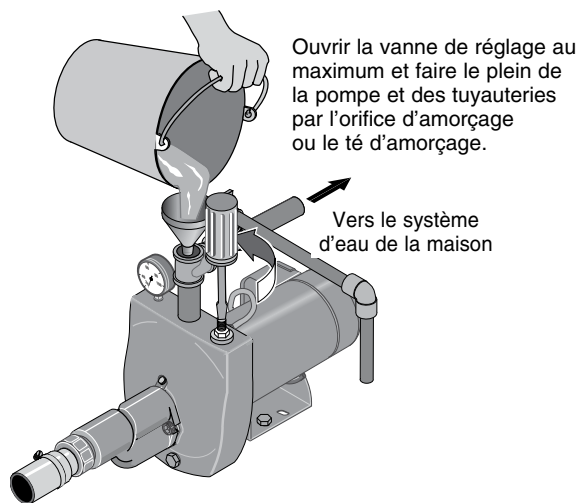
6. Après que la pression se sera accumulée dans le système et que la pompe se sera arrêtée, vérifier le fonctionnement du manostat en ouvrant un ou deux robinets du système; laisser couler suffisamment d'eau pour dissiper la pression jusqu'à ce que la pompe redémarré. La pompe doit redémarrer lorsque la pression chute à 30 lb/po² et s'arrêter lorsque la pression atteint 50 lb/po². Faire fonctionner la pompe pendant un ou deux cycles complets pour confirmer son bon fonctionnement. Ceci permettra également de nettoyer le système de toute la saleté et de tout le tartre qui se seront détachés pendant l'installation.

NOTA : Les éjecteurs packer (puits de 2 pouces et de 3 pouces à un seul tuyau) ne forment pas un joint parfait. Les irrégularités normales du cuir de la coupelle d'étanchéité et de la parol intérieure du tubage permettront, avec le temps, à la pression de fuir d'un système au repos. La pompe fonctionnera donc périodiquement pour maintenir le niveau de pression du système.

⚠ AVERTISSEMENT Ne jamais faire fonctionner la pompe contre un refoulement fermé, sinon l'eau risque de bouillir à l'intérieur de la pompe, une accumulation dangereuse de pression risque de se produire, un danger d'explosion risque de s'en suivre et les personnes qui manipuleront la pompe pourront peut-être être ébouillantées.

⚠ ATTENTION Ne jamais faire fonctionner la pompe à sec. Faire fonctionner la pompe sans eau risque de causer une surchauffe de la pompe, d'endommager les joints et, possiblement, causer des brûlures aux personnes qui manipuleront la pompe. Faire le plein d'eau de la pompe avant de la démarrer.

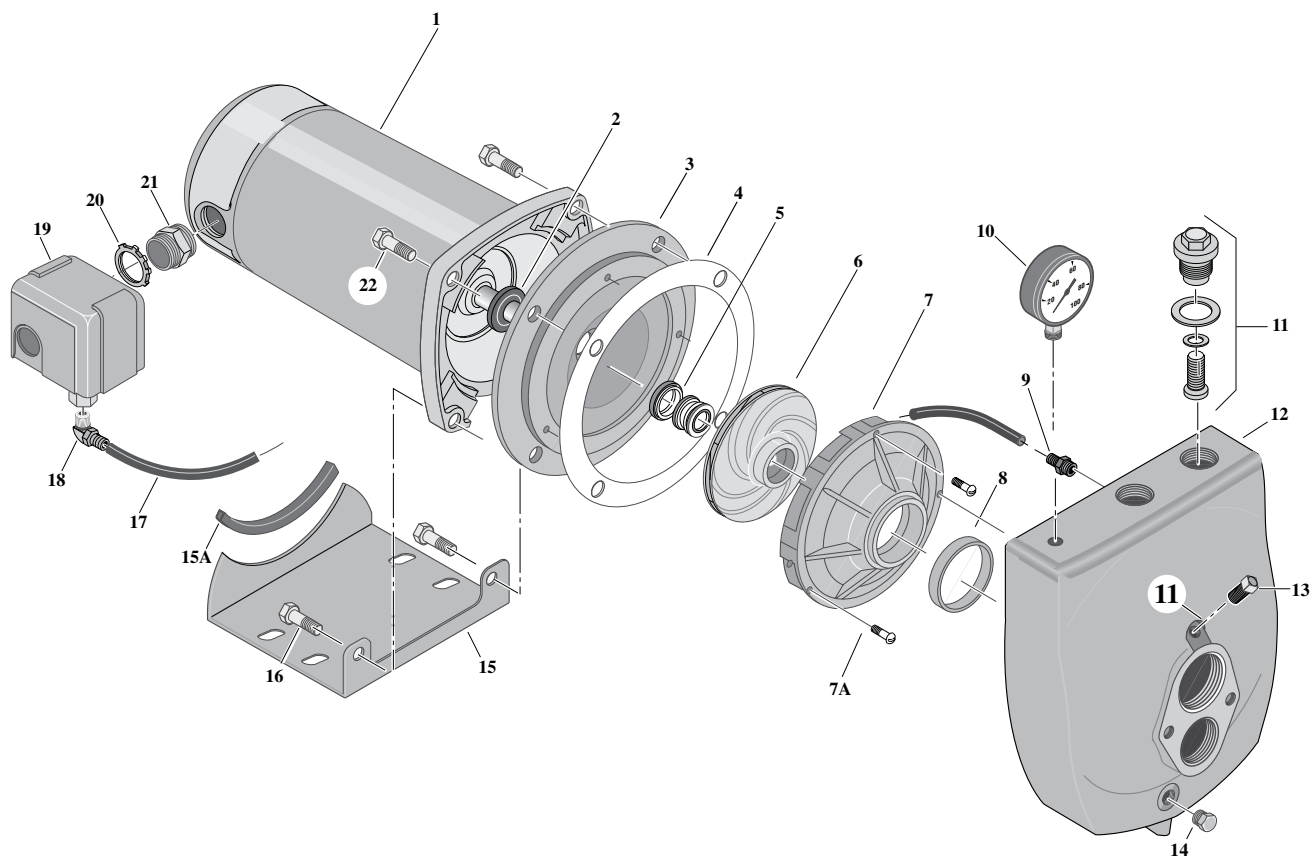
1. Ouvrir au maximum la vanne de réglage (voir la Figure 15), déposer le bouchon d'amorçage de la pompe, puis faire le plein de la pompe, de toutes les tuyauteries entre la pompe et le puits et s'assurer que toutes les tuyauteries du puits sont pleines d'eau. Si un té d'amorçage a été posé sur le tuyau d'aspiration, déposer le bouchon du té et faire le plein de la tuyauterie d'aspiration.



2411 0497

Figure 15 : Ouvrir la vanne de réglage

2. Reposer tous les bouchons filetés. Laisser la vanne de réglage ouverte (dans les puits peu profonds, la vanne de réglage reste toujours ouverte).
3. Établir le contact! Démarrer la pompe. La pompe doit pomper l'eau dans les deux ou trois minutes qui suivent.
4. Si la pompe ne pompe pas d'eau dans les 2 ou 3 minutes qui suivent, l'arrêter et déposer les bouchons de remplissage. Faire le plein de la pompe et des tuyauteries. Il faudra peut-être répéter cette opération deux ou trois fois de façon à chasser tout l'air pouvant être emprisonné dans la tuyauterie. La vanne de réglage reste ouverte pendant cette opération.
5. Après que la pression se sera accumulée dans le système et que la pompe se sera arrêtée, vérifier le fonctionnement du manostat en ouvrant un ou deux robinets du système; laisser couler suffisamment d'eau pour dissiper la pression jusqu'à ce que la pompe redémarre. La pompe doit redémarrer lorsque la pression chute à 30 lb/po² et s'arrêter lorsque la pression atteint 50 lb/po². Faire fonctionner la pompe pendant un ou deux cycles complets pour confirmer son bon fonctionnement. Ceci permettra également de nettoyer le système de toute la saleté et de tout le tartre qui se seront détachés pendant l'installation.



Pièces de rechange - pompes en fonte à éjecteur

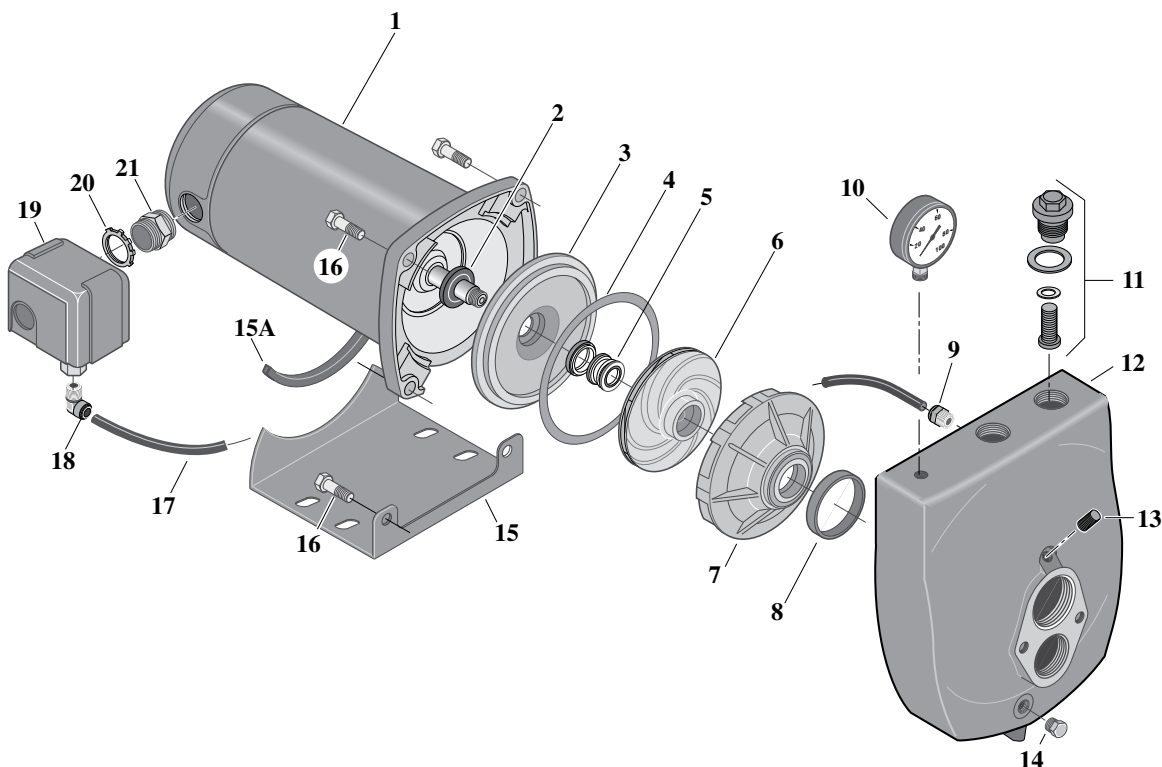
Réf.	Désignation des pièces	Qté	HLD-L 3/4 ch	SLE-L 1 ch	HLE-L 1 ch	SLF-L 1-1/2 ch
1	Moteur	1	J218-596PKG	J218-596PKG	J218-601PKG	J218-601PKG
#§2	Déflecteur d'eau	1	17351-0009	17351-0009	17351-0009	17351-0009
3	Plaque d'étanchéité	1	L3-10	L3-10	L3-10	L3-10
#§4	Joint de plaque d'étanchéité	1	C20-21	C20-21	C20-21	C20-21
#§5	Joint d'arbre	1	U109-6A	U109-6A	U109-6A	U109-6A
#6	Impulseur	1	J105-85P	J105-85P	J105-22PA	J105-22PA
#7	Diffuseur	1	L1-47P	L1-47P	L1-23P	L1-23P
7A	Vis à tête ronde de 8-32x3/4 de po	3	U30-489SS	U30-489SS	U30-489SS	U30-489SS
#§8	Bague du diffuseur	1	L21-1	L21-1	L21-1	L21-1
9	Branchement rapide - droit	1	U11-217P	U11-217P	U11-217P	U11-217P
10	Manomètre	1	U239-2	-	U239-2	-
11	Vanne de réglage	1	L262-5PS	L262-5PS	L262-5PS	L262-5PS
12	Corps de la pompe	1	L76-49	L76-49	L76-49	L76-49
13	Bouchon fileté	1	U78-56ZPS	U78-56ZPS	U78-56ZPS	U78-56ZPS
14	Bouchon de vidange	1	U78-941ZPV	U78-941ZPV	U78-941ZPV	U78-941ZPV
15	Socle	1	J104-9C	J104-9C	J104-9C	J104-9C
15A	Support en caoutchouc	1	C35-5	C35-5	C35-5	C35-5
16	Vis à tête de 3/8-16x1-1/2 po	2	U30-76ZP	U30-76ZP	U30-76ZP	U30-76ZP
17	Tube de manocontacteur	1	U37-672P	U37-677P	U37-677P	U37-677P
18	Branchement rapide - coude	1	U11-218P	U11-218P	U11-218P	U11-218P
19	Manocontacteur	1	U217-1216	U217-1225	U217-1216	U217-1225
20	Contre-écrou	1	U36-112ZP	U36-112ZP	U36-112ZP	U36-112ZP
21	Raccord	1	L43-5C	L43-5C	L43-5C	L43-5C
22	Vis à tête de 3/8-16x1-1/4 po	2	U30-75ZP	U30-75ZP	U30-75ZP	U30-75ZP

NÉCESSAIRES DE RÉPARATION

§	Nécessaire de joints et de bagues d'étanchéité	PP1551	PP1551	PP1551	PP1551
#	Nécessaire de révision	PP1566	PP1566	PP1564	PP1564

NOTA : § Font partie du nécessaire de joints et de bagues d'étanchéité.

Font partie du nécessaire de révision.



Pièces de rechange - pompes en fonte à éjecteur

Réf.	Désignation des pièces	Qté	SLC-L 1/2 ch	SLD-L 3/4 ch	HLC-L 1/2 ch
1	Moteur	1	J218-582APKG	J218-509PKG	J218-509PKG
#§2	Déflecteur d'eau	1	17351-0009	17351-0009	17351-0009
3	Plaque d'étanchéité	1	N3-1043P	N3-1043P	N3-1043P
#§4	Joint de plaque d'étanchéité	1	N20-35	N20-35	N20-35
#§5	Joint d'arbre	1	U109-6A	U109-6A	U109-6A
#6	Impulseur	1	J105-40P	J105-86P	J105-86P
#7	Diffuseur	1	L1-25P	L1-48P	L1-48P
#§8	Bague du diffuseur	1	L21-1	L21-1	L21-1
9	Branchement rapide - droit	1	U11-217P	U11-217P	U11-217P
10	Manomètre	1	-	-	U239-2
11	Vanne de réglage	1	01322	01322	01322
12	Corps de la pompe	1	L76-48	L76-48	L76-48
13	Bouchon fileté	1	U78-56ZPS	U78-56ZPS	U78-56ZPS
14	Bouchon de vidange	1	U78-941ZPV	U78-941ZPV	U78-941ZPV
15	Socle	1	J104-9C	J104-9C	J104-9C
15A	Support en caoutchouc	1	C35-5	C35-5	C35-5
16	Vis à tête de 3/8-16x1-1/4 po	4	U30-75ZP	U30-75ZP	U30-75ZP
17	Tube de manocontacteur	1	U37-672P	U37-672P	U37-672P
18	Branchement rapide - coude	1	U11-218P	U11-218P	U11-218P
19	Manocontacteur	1	U217-1225	U217-1225	U217-1216
20	Contre-écrou	1	U36-112ZP	U36-112ZP	U36-112ZP
21	Raccord	1	L43-5C	L43-5C	L43-5C
•	Bouchon	1	U78-941ZPV	U78-941ZPV	-

• Non illustrée.

NÉCESSAIRES DE RÉPARATION

§	Nécessaire de joints et de bagues d'étanchéité	PP1551	PP1551	PP1551
#	Nécessaire de révision	PP1560	PP1565	PP1566

NOTA : § Font partie du nécessaire de joints et de bagues d'étanchéité.

Font partie du nécessaire de révision.

Symptômes	Quoi faire :
A. Le moteur ne tourne pas.	A. S'assurer que le sectionneur est sur MARCHE et que le disjoncteur ne s'est pas désenclenché ou que le fusible n'a pas sauté. COUPER LE COURANT D'ALIMENTATION et s'assurer que tous les fils raccordant le moteur au courant d'alimentation et au manocontacteur sont bien serrés et bien branchés (voir la page 17). Si les remèdes précédents ne permettent pas de résoudre le problème, appeler un spécialiste en puits.
B. Le moteur chauffe et le dispositif de protection contre les surcharges saute.	B. Se reporter aux instructions concernant l'électricité à la page 17 et s'assurer que le moteur est bien câblé. Vérifier auprès de la compagnie qui fournit l'électricité ou les responsables d'hydro pour s'assurer que la tension parvenant à la pompe correspondent à $\pm 10\%$ de la tension nominale indiquée sur la plaque signalétique du moteur. DÉBRANCHER LE COURANT D'ALIMENTATION et s'assurer que les fils raccordant le moteur au courant d'alimentation sont du calibre indiqué au Tableau I, de la page 18. Sinon, recâbler conformément aux instructions de la page 17. Si la pompe s'arrête ou redémarre trop fréquemment, se reporter à la Section E ci-dessous.
C. Le moteur fonctionne mais l'eau n'est pas pompée*.	C. TOUT D'ABORD, vérifier l'amorçage; c'est-à-dire, que la pompe et que toutes les tuyauteries d'aspiration et du puits sont remplies d'eau. Si elles ne sont pas pleines d'eau, en faire le plein. Par temps froid, s'assurer que les tuyaux et que la pompe n'ont pas gelé. S'ils sont gelés, les dégeler, s'assurer qu'il n'y a pas de tuyaux ni de raccords éclatés. Chauffer la fosse de la pompe ou l'enceinte de la pompe et enterrer toutes les tuyauteries sous la limite du gel. Autres causes possibles (dans ce cas, appeler un spécialiste en pompes si l'on soupçonne une de ces causes) : Prises d'air dans la conduite d'aspiration, baisse de niveau d'eau dans le puits, clapet de pied grippé ou bouché, éjecteur bouché, impulseur bouché, clapet de pied ou crépine enfoui dans la boue au fond du puits et pompe pour puits peu profond posée dans un puits dont la profondeur est supérieure à 25 mètres jusqu'à l'eau (dans ce cas, une pompe à éjecteur pour puits profond est requise).
D. La pompe ne pompe pas l'eau à pleine capacité.	D. Causes possibles : Le niveau d'eau dans le puits est inférieur à celui évalué, ce qui rend une combinaison buse/venturi différente obligatoire; tuyauterie en acier (le cas échéant) corrodée ou entartrée, limitant la capacité et augmentant le frottement; ou bien les tuyauteries sont trop petites pour l'installation. Consulter un spécialiste en puits pour toutes ces conditions.
E. La pompe s'arrête et repart trop fréquemment ou bien elle ne s'arrête pas du tout.	E. S'assurer qu'aucun robinet n'a été laissé ouvert. Si le système fonctionne sur un réservoir standard, s'assurer qu'il n'est pas saturé d'eau. Dans l'affirmative, le vider jusqu'au niveau du contrôleur d'air. S'assurer que le contrôleur d'air n'est pas défectueux et qu'aucun raccord n'aspire de l'air. Si le système est branché sur un réservoir préchargé, couper le courant d'alimentation , ouvrir tous les robinets du système et purger toute la pression du réservoir. Utiliser un manomètre pour pneu pour vérifier la pression d'air dans le réservoir. Elle doit être de 2 lb/po ² inférieure au réglage d'enclenchement du manocontacteur, c'est-à-dire que si le manocontacteur démarre la pompe à 30 lb/po ² , la précharge doit être de 28 lb/po ² . S'assurer que la valve ne fuit pas (utiliser une solution savonneuse) et remplacer l'obus au besoin. Si l'on pense qu'une des conditions suivantes existent, consulter un spécialiste en puits : fuites des tuyauteries, fuites du clapet de pied, niveau d'eau dans le puits inférieur à celui évalué, éjecteur ou impulseur bouché.
F. L'air jaillit des robinets.	F. La pompe est peut-être en train de s'amorcer. Lorsque l'amorçage est terminé, tout l'air sera éjecté du système. Si l'on pense que les tuyauteries d'aspiration fuient, qu'il y a des gaz dans le puits, ou que la pompe vide le puits par intermittence (c'est-à-dire qu'elle amène le niveau d'eau plus bas que le clapet de pied, consulter un spécialiste en puits.
G. La pompe fuit autour de serrage.	G. Serrer l'écrou de 1 ou 2 tours. <i>Ne pas trop serrer.</i>

LEA Y SIGA LAS INSTRUCCIONES DE SEGURIDAD!

⚠ Este es el símbolo de alerta de seguridad. Cuando usted vea este símbolo en su bomba o en este manual, busque alguna de las siguientes palabras de advertencia y esté alerta a la posibilidad de una herida personal:

⚠ PELIGRO advierte acerca de los peligros que **ocasionarán** lesiones personales serias, la muerte o un daño severo a la propiedad si se ignoran dichos peligros.

⚠ ADVERTENCIA advierte acerca de los peligros que **pueden** ocasionar lesiones personales serias, la muerte o un daño severo a la propiedad si se ignoran dichos peligros.

⚠ PRECAUCIÓN advierte acerca de los peligros que **ocasionarán** o **podrán** ocasionar lesiones personales menores o daños a la propiedad si se ignoran dichos peligros.

La etiqueta **AVISO** indica instrucciones especiales que son importantes pero no relacionados a los peligros.

Lea y siga cuidadosamente todas las instrucciones de seguridad en este manual y en la bomba.

Mantenga las etiquetas de seguridad en buenas condiciones.

Reemplace las etiquetas de seguridad faltantes o dañadas.

Advertencia de la Proposición 65 de California

⚠ ADVERTENCIA Este producto y accesorios relacionados contienen sustancias químicas reconocidas en el Estado de California como causantes de cáncer, malformaciones congénitas y otros daños al sistema reproductivo.

SEGURIDAD ELECTRICA

⚠ ADVERTENCIA El voltaje del capacitor puede ser **peligroso**. Para descargar el capacitor del motor, tome un desatornillador con mango aislado **POR EL MANGO** y ponga en corto las terminales del capacitor. No toque la superficie de metal del desatornillador ni las terminales del capacitor. Si tiene alguna duda, consulte a un electricista calificado.

SEGURIDAD GENERAL

⚠ PRECAUCIÓN **No toque un motor en operación.** Los motores modernos están diseñados para operar a temperaturas altas. Para evitar quemaduras al realizar el servicio a una bomba, déjela enfriar por 20 minutos después de apagarla.

No permita que la bomba o cualquier componente del sistema se congele. Hacerlo invalidará la garantía.

Utilice esta bomba sólo para agua.

Inspeccione la bomba y los componentes del sistema periódicamente.

Utilice gafas de seguridad durante todo el tiempo mientras trabaje en la bomba.

El área de trabajo se debe mantener limpia, ordenada y con iluminación adecuada; guarde las herramientas y el equipo que no utilice en el lugar apropiado.

Mantenga a los visitantes a una distancia segura de las áreas de trabajo.

⚠ ADVERTENCIA El cuerpo de la bomba puede explotar si se utiliza como una bomba propulsora a menos que se instale una válvula de alivio que sea capaz de pasar todo el flujo de la bomba a 100 psi.

⚠ ADVERTENCIA



Voltaje peligroso.
Puede ocasionar conmoción, quemaduras e incluso la muerte.

Conecte la bomba a tierra antes de conectarla a la alimentación eléctrica. Desconecte la alimentación de energía antes de trabajar en la bomba, el motor o el tanque.

- ⚠** Conecte el motor al voltaje correcto. Vea la sección "Electricidad" en este manual y la placa del motor.
- ⚠** Conecte el motor a tierra antes de conectarlo a la alimentación de energía.
- ⚠** Cumpla con las indicaciones del Código Nacional Eléctrico, el de Canadá y los códigos locales para toda la conexión eléctrica.
- ⚠** Siga las instrucciones de conexión eléctrica en este manual al conectar el motor a las líneas de energía eléctrica.

⚠ ADVERTENCIA



Presión peligrosa!
Instale una válvula de alivio de presión en la tubería de descarga.

Libere toda la presión en el sistema antes de trabajar en alguno de los componentes.

	Página
Seguridad General	24
Garantía	25
Instalación típica	26
Tubería de Descarga y Conexiones del Tanque de Presión	27
Electricidad.....	28, 29
Preparación para Arrancar la Bomba - Pozo Profundo	30
Preparación para Arrancar la Bomba - Pozo poco Profundo	31
Solución de Problemas	32, 33
Refacciones	34

Garantía limitada

STA-RITE le garantiza al comprador/consumidor original (“Comprador” o “Usted”) de los productos enumerados abajo, que estos estarán libres de defectos en material y mano de obra durante el Período de garantía indicado a continuación.

Producto	Período de garantía
Productos de sistemas de agua — bombas de chorro, pequeñas bombas centrífugas, bombas sumergibles inicial, o y accesorios asociados	<i>lo que ocurra primero:</i> 12 meses desde la fecha de la instalación, o 18 meses desde la fecha de fabricación
Tanques de compuesto Pro-Source™	5 años desde la fecha de la instalación inicial
Tanques a presión de acero Pro-Source™	5 años desde la fecha de la instalación inicial
Tanques con revestimiento epoxídico Pro-Source™	3 años desde la fecha de la instalación inicial
Productos para sumideros/aguas residuales/efluente	12 meses desde la fecha de la instalación inicial, o 18 meses desde la fecha de fabricación

Nuestra garantía no se aplicará a ningún producto que, a nuestro sólo juicio, haya sido sometido a negligencia, mal uso, instalación inadecuada o mal mantenimiento. Sin perjuicio a lo que antecede, la garantía quedará anulada en el caso en que un motor trifásico se haya usado con una fuente de alimentación monofásica, a través de un convertidor de fase. Es importante indicar que los motores trifásicos deben estar protegidos por relés de sobrecarga de disparo extra-rápido, con compensación ambiental de tres etapas, del tamaño recomendado, de lo contrario, la garantía quedará anulada.

Su único recurso, y la única obligación de STA-RITE es que STA-RITE repare o reemplace los productos defectuosos (a juicio de STA-RITE). Usted deberá pagar todos los cargos de mano de obra y de envío asociados con esta garantía y deberá solicitar el servicio bajo garantía a través del concesionario instalador tan pronto como se descubra un problema. No se aceptará ninguna solicitud de servicio bajo garantía que se reciba después del vencimiento del Período de Garantía. Esta garantía no se puede transferir.

STA-RITE NO SE HARÁ RESPONSABLE DE NINGÚN DA—O CONSECUENTE, INCIDENTAL O CONTINGENTE.

LAS GARANTÍAS LIMITADAS QUE ANTECEDEN SON EXCLUSIVAS Y EN LUGAR DE TODA OTRA GARANTÍA EXPLÍCITA E IMPLÍCITA, INCLUYENDO, PERO SIN LIMITARSE A LAS GARANTÍAS IMPLÍCITAS DE COMERCIALIZACIÓN E IDONEIDAD PARA UN FIN ESPECÍFICO. LAS GARANTÍAS LIMITADAS QUE ANTECEDEN NO SE EXTENDERÁN MÁS ALLÁ DEL PERÍODO DE DURACIÓN INDICADO EN LA PRESENTE.

Algunos estados no permiten la exclusión o limitación de daños incidentales o consecuentes o de limitaciones de tiempo sobre garantías implícitas, de modo que es posible que las limitaciones o exclusiones que preceden no correspondan en su caso. Esta garantía le otorga derechos legales específicos y es posible que usted también tenga otros derechos que pueden variar de un estado al otro.

Esta Garantía Limitada entra en vigor el 1 de junio de 2011 y sustituye toda garantía sin fecha o garantía con fecha anterior al 1 de junio de 2011.

STA-RITE INDUSTRIES

293 Wright Street • Delavan, WI U.S.A. 53115

Teléfono: 1-888-782-7483 • Fax: 1-800-426-9446 •Sitio Web: sta-rite.com

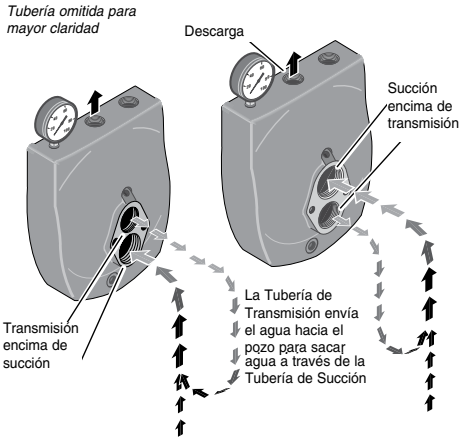


Figura 1: Funciones de Succión y Transmisión

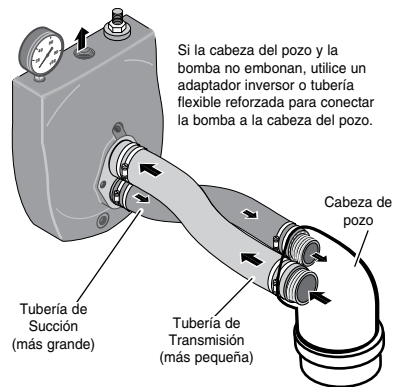


Figura 2: Conexiones Invertidas hacia el Pozo

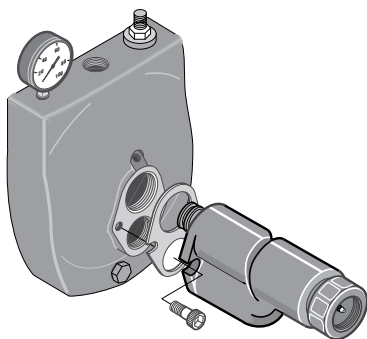


Figura 3: Monte el Ejector - Pozo Poco Profundo

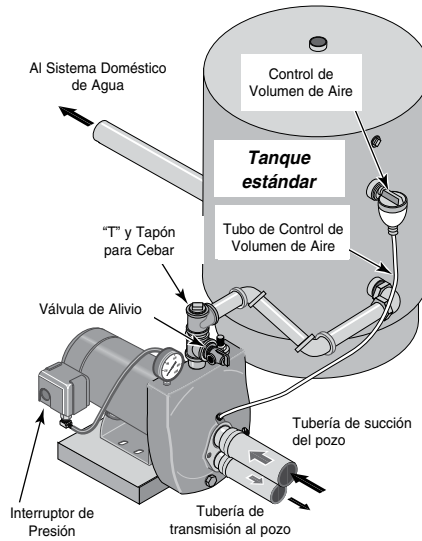
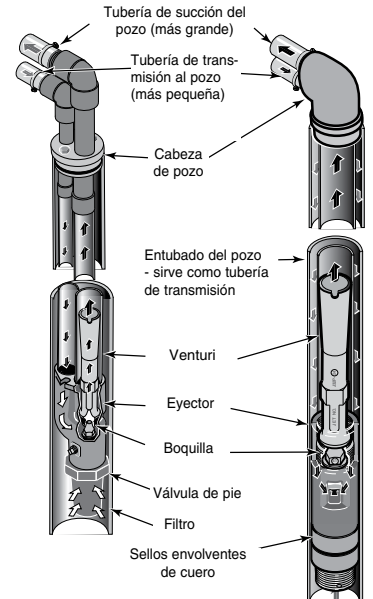


Figura 4: Instalación típica para pozo profundo

“Tubería doble”
(diámetro del pozo: 4” mínimo)

“Tubería simple”
(diámetro del pozo: 2” y 3”)



1834 0695

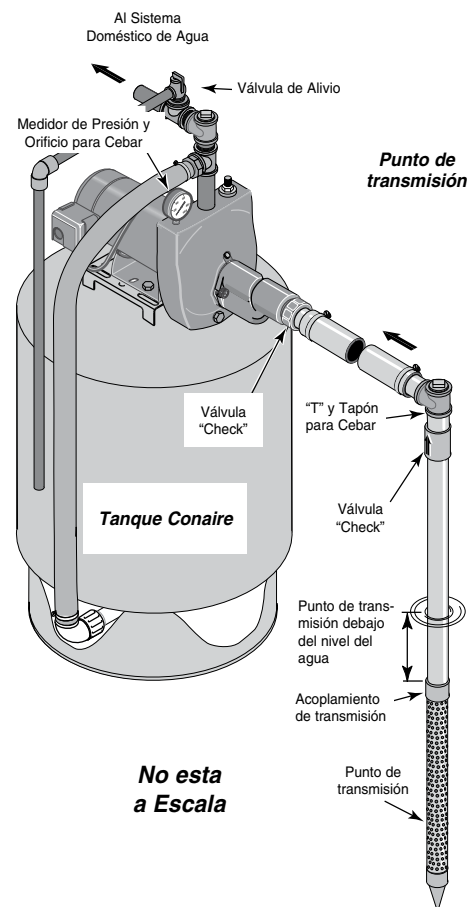
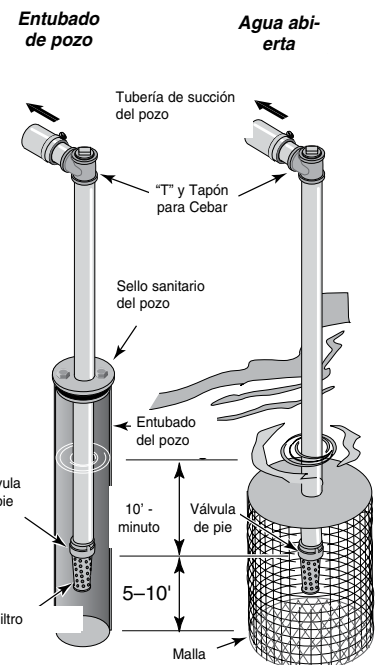


Figura 5: Instalación típica para pozo poco profundo



1836 0695

CONEXIÓN DE TANQUE DE PRE-CARGA (Figura 6)

Si su sistema utiliza un tanque Con-Aire® (precargado), éste debería conectarse a la bomba siguiendo las indicaciones de la figura 6. La válvula de alivio debe poder hacer pasar toda la capacidad de la bomba a una presión de 100 PSI.

Verifique la pre-carga de aire en el tanque con un medidor de aire para neumáticos; la pre-carga se mide cuando no haya presión de agua en el tanque. Desconecte la bomba de la fuente de alimentación y drene el tanque antes de verificar la pre-carga. Su nueva bomba tiene un interruptor de 30/50 PSI; por lo tanto la presión de pre-carga del tanque debería estar a 28 PSI, es decir a 2 PSI menos que el ajuste de cierre del interruptor de presión de la bomba.

No se requiere control de volumen de aire (CVA) para un tanque de pre-carga; el orificio de CVA de 1/8" NPT, situado en el cuerpo de la bomba, debería taparse.

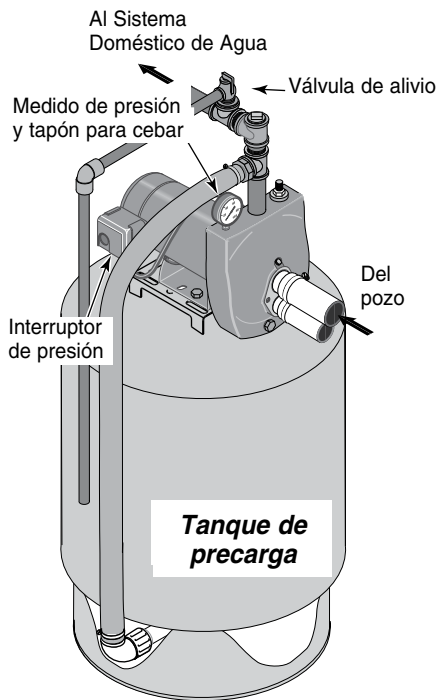


Figura 6 : Conexión de tanque de precarga

CONEXIÓN PARA TANQUE ESTÁNDAR (Figura 7)

Si su sistema utiliza un tanque estándar, conéctelo a la bomba siguiendo las indicaciones de la Figura 7. La válvula de alivio utilizada con un tanque estándar debe poder hacer pasar toda la capacidad de la bomba a una presión de 75 PSI.

Conecte el tubo de control de volumen de aire (CVA) al orificio de CVA de 1/8" NPT, situado en el cuerpo de la bomba. Extienda la tubería desde ese orificio hasta el control de volumen de aire, montado en el tanque. Para más información, vea las instrucciones suministradas con el tanque y el CVA antedichos.

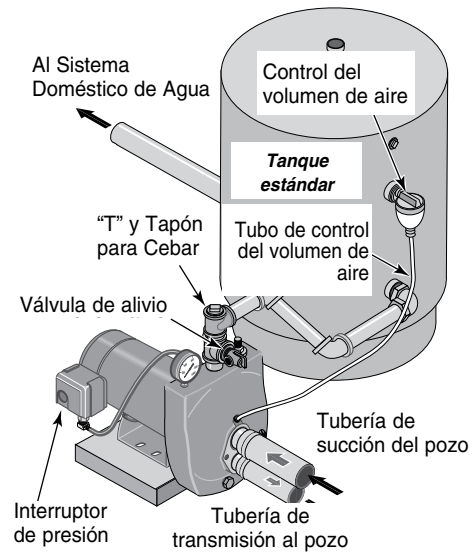


Figura 7: Conexión para tanque estándar

Sellado de Juntas de Tubería

Utilice solamente cinta sellante de PTFE para roscas de tubería para todas las conexiones de rosca a la bomba. **No use compuestos de burlete para tuberías en bombas de plástico:** estos pueden reaccionar con los componentes de plástico de la bomba. Asegúrese de que todos los burletes en la tuberías de aspiración sean impermeables y herméticos. *Si la tubería de aspiración aspira aire, la bomba no podrá sacar agua del pozo.*

⚠ Desconecte la corriente antes de trabajar en la bomba, el motor, el conmutador a presión, o los cables.

CONFIGURACIONES DEL INTERRUPTOR DEL MOTOR

NOTA: Los motores de 1/2 HP vienen cableados sólo para 115 voltios y no tienen cables que se puedan cambiar. Los tableros de bornes de motores de 3/4 HP o de 1 HP (ubicados debajo de la cubierta del motor) se deben parecer a uno de los que se ilustran a continuación. Si el motor puede funcionar tanto con 115 como con 230 voltios, vendrá configurado de fábrica para 230 voltios. No cambie el cableado del motor si la tensión de línea es de 230 voltios o si usted tiene un motor de una sola tensión.

⚠ PRECAUCIÓN Nunca conecte un motor de 115 voltios a una línea de 230 voltios.

Selector de tensión de tipo ficha

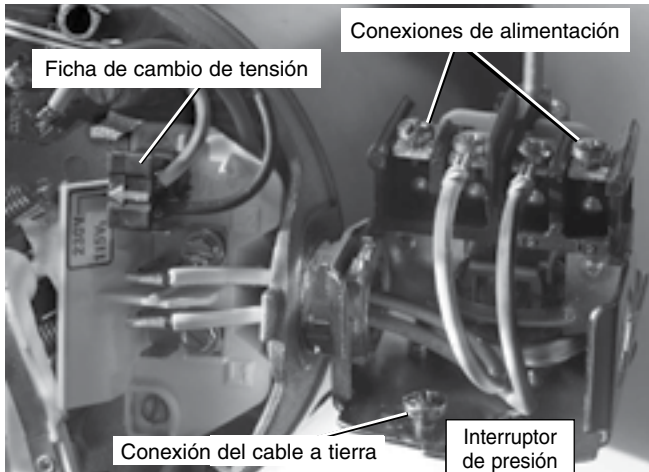


Figura 8: Tensión configurada para 230 voltios, tipo ficha.

La configuración de fábrica es para 230 voltios. Para cambiar a 115 voltios:

1. Verifique que la corriente eléctrica esté desconectada.
2. Jale de la ficha de cambio de tensión y sáquela de las lengüetas.
3. Mueva la ficha de cambio de tensión a la posición de 115 voltios. Ahora la ficha cubrirá 2 lengüetas metálicas y la flecha en la ficha quedará alineada con la flecha de 115 voltios en la etiqueta (consulte la Figura 9).



Figura 9: Tensión configurada para 115 voltios, tipo ficha.

4. Conecte los conductores de alimentación a los dos tornillos exteriores en el manóstató según se ilustra en el Figura 8.
5. Conecte el cable a tierra a una de las conexiones a tierra según se ilustra en la Figura 8.
6. Si hay otros cables, tápelos.
7. Vuelva a instalar la cubierta del motor.

Selector de tensión de tipo cuadrante

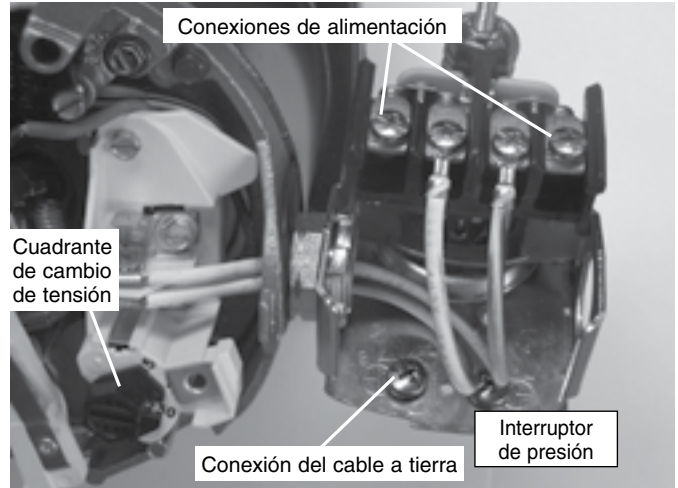


Figura 10: Tensión configurada para 230 voltios, tipo cuadrante.

La configuración de fábrica es para 230 voltios. Para cambiar a 115 voltios:

1. Verifique que la corriente eléctrica esté desconectada.
2. Gire el cuadrante hacia la izquierda hasta que aparezca 115 en la ventana del cuadrante según se ilustra en la figura 11.



Figura 11: Tensión configurada para 115 voltios, tipo cuadrante.

3. Conecte los conductores de alimentación a los dos tornillos exteriores en el manóstató según se ilustra en el Figura 10.
4. Conecte el cable a tierra a una de las conexiones a tierra según se ilustra en la Figura 10.
5. Si hay otros cables, tápelos.
6. Vuelva a instalar la cubierta del motor.

⚠ ADVERTENCIA Tensión peligrosa. Puede causar choques, quemaduras o muerte. Conecte el alambre de puesta a tierra antes de conectar los alambres de suministro de corriente. Use el cable del tamaño especificado en la tabla de cableado (incluyendo el alambre de puesta a tierra). Si es posible, conecte la bomba a un circuito separado de derivación sin ningún otro artefacto en el mismo.

⚠ ADVERTENCIA Peligro de explosión. No haga la conexión a tierra en una línea de suministro de gas.

CONEXIONES DE LOS CABLES

⚠ ADVERTENCIA Peligro de incendio. Una tensión incorrecta puede causar un incendio o dañar el motor seriamente e invalidará la garantía. La tensión de suministro debe ser entre ± 10 % de la tensión especificada en la placa de datos del motor.

AVISO: Los motores para doble tensión vienen cableados de fábrica a 230 voltios. Si es necesario, vuelva a conectar el motor para 115 voltios, según se ilustra. No modifique el cableado en los motores de tensión singular.

Instale, ponga a tierra, conecte los alambres y mantenga su bomba conforme al Código Nacional de Electricidad (NEC) o al Código Canadiense de Electricidad (CEC), según corresponda, y conforme a todos los códigos y normas locales que correspondan. Consulte con su inspector local de construcciones para obtener información sobre los códigos.

Procedimiento para las conexiones:

- Paso 1. Conecte el alambre de puesta a tierra primero según se ilustra en la Figura 11. El alambre de puesta a tierra debe ser un alambre de cobre sólido por lo menos tan grande como los alambres de suministro de corriente.
- Paso 2. Debe haber una conexión metálica sólida entre el conmutador a presión y el motor para brindar protección a tierra para el motor. Si el conmutador a presión no está conectado al motor, conecte el tornillo de puesta a tierra verde en el conmutador al tornillo de puesta a tierra verde debajo de la tapa de extremo del motor. Use un alambre de cobre sólido que sea por lo menos tan grande como los alambres de suministro de corriente.
- Paso 3. Conecte el alambre de puesta a tierra a un alambre conectado a tierra del tablero de servicio, a un tubo metálico para agua subterránea, a un entubamiento metálico para pozos de por lo menos 3 metros (10 pies) de largo, o a un electrodo a tierra suministrado por la empresa de energía o hidroeléctrica.
- Paso 4. Conecte los alambres de suministro de corriente al conmutador de presión según se ilustra en la Figura 11.

Tabla I: Cuadro de cableado - Cables y Tamaños de Fusibles Recomendados

Modelo	HP	Carga Máxima	Fusible de Derivación	Distancia en pies (metros); Calibre del cable AWG (mm²)				
				0-100 (0-30)	101-200 (31-61)	201-300 (62-91)	301-400 (92-122)	401-500 (123-152)
115 Voltios:								
SLC	1/2	9.9	15	14(2)	10(5.5)	8(8.4)	8(8.4)	6(14)
HLC	1/2	12.4	20	12(3)	10(5.5)	8(8.4)	6(14)	6(14)
SLD	3/4	12.4	20	12(3)	10(5.5)	8(8.4)	6(14)	6(14)
HLD	3/4	14.8	20	12(3)	8(8.4)	6(14)	6(14)	4(21)
SLE	1	14.8	20	12(3)	8(8.4)	6(14)	6(14)	4(21)
HLE	1	19.9	25	10(5.5)	8(8.4)	6(14)	4(21)	4(21)
SLF	1-1/2	19.9	25	10(5.5)	8(8.4)	6(14)	4(21)	4(21)
230 Voltios:								
SLC	1/2	4.9	15	14(2)	14(2)	14(2)	14(2)	12(3)
HLC	1/2	6.2	15	14(2)	14(2)	14(2)	12(3)	12(3)
SLD	3/4	6.2	15	14(2)	14(2)	14(2)	12(3)	12(3)
HLD	3/4	7.4	15	14(2)	14(2)	14(2)	12(3)	10(5.5)
SLE	1	7.4	15	14(2)	14(2)	14(2)	12(3)	10(5.5)
HLE	1	9.9	15	14(2)	14(2)	12(3)	10(5.5)	10(5.5)
SLF	1-1/2	9.9	15	14(2)	14(2)	12(3)	10(5.5)	10(5.5)

⚠ PRECAUCIÓN Nunca ponga a funcionar una bomba hacia una descarga cerrada. Hacerlo puede ocasionar que el agua en el interior de la bomba ebullicione, produciendo una presión peligrosa en la unidad, riesgo de explosión y posibles quemaduras con el agua a la persona que esté manejando la bomba.

⚠ ADVERTENCIA Nunca ponga a funcionar la bomba en seco. Poner a funcionar la bomba sin agua puede ocasionarle sobrecalentamiento, dañar el sello y tal vez causar quemaduras a las personas que la estén manejando. Llene la bomba con agua antes de arrancarla.

Paso 1. Abra la válvula de control lo más que sea posible (vea la Figura 12). Después retire el tapón de cebado de la bomba y llénela, llenando toda la tubería entre la bomba y el pozo; asegúrese de que toda la tubería en el pozo esté llena. Si también instaló una "T" de cebado en la tubería de succión, retire el tapón de la "T" y llene la tubería de succión.

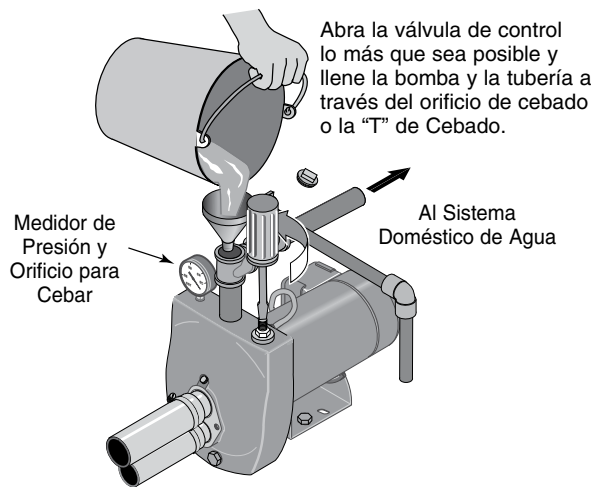


Figura 12: Llenado de la Bomba

Paso 2. Vuelva a colocar todos los tapones de llenado y cierre la válvula de control completamente (Figura 13).

Vuelva a colocar todos los tapones de llenado y cierre la válvula de control completamente.

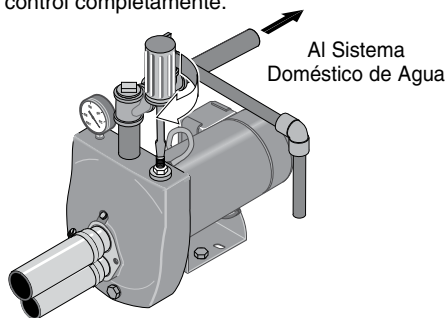


Figura 13: Cebado de la Bomba

Paso 3. ¡Enciéndala! Arranque la bomba y observe el medidor de presión. La presión debe aumentar rápidamente a 50 PSI al irse cargando la bomba.

Paso 4. Después de 2 ó 3 minutos, el medidor debe indicar la presión. Si no, pare la bomba, retire los tapones de

llenado, vuelva a abrir la válvula de control y vuelva a llenar la bomba y la tubería. Posiblemente tendrá que repetir esto dos o tres veces para sacar todo el aire atrapado en la tubería. No olvide cerrar la válvula de control cada vez antes de encender la bomba.

Paso 5. Una vez que la presión haya aumentado y se haya estabilizado en aproximadamente 50 PSI, abra lentamente la válvula de control (vea la Figura 14) y permita que la presión caiga hasta que la aguja del medidor de presión comience a oscilar (vea la Figura 14). Ahora su bomba está operando en su punto más eficiente.

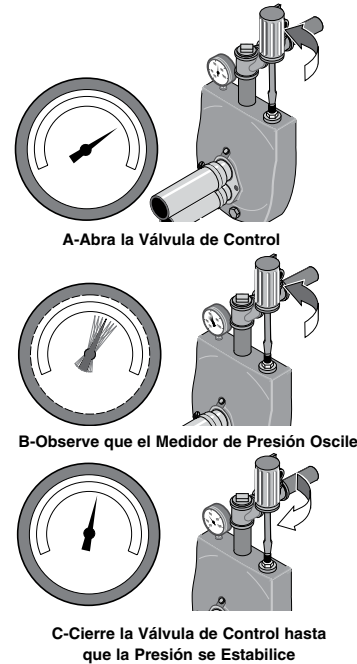


Figura 14: Fijación de la Válvula de Control

Paso 6. Después de que la bomba ha producido presión en el sistema y esté apagada, verifique la operación del interruptor de presión abriendo una llave o dos y dejando correr suficiente agua para descargar la presión hasta que la bomba arranque. La bomba debe arrancar cuando la presión caiga a 30 PSI y se debe detener cuando la presión alcance los 50 PSI. Haga funcionar la bomba durando uno o dos ciclos completos para verificar su correcta operación. Esto también le ayudará a limpiar el sistema de polvo y basura producida durante la instalación.

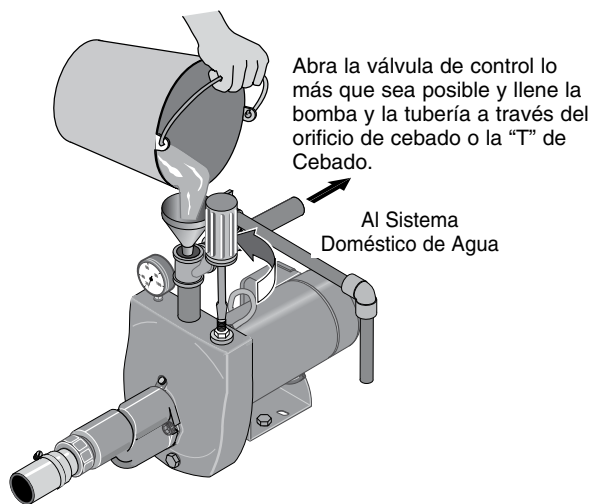
Paso 7. (Solamente para bombas Serie PL). Checar fugas alrededor de la banda de las abrazaderas. Si la bomba tiene fuga, apriete la tuerca de la abrazadera 1-2 vueltas. *No apriete demasiado.*

AVISO: Los chorros obturadores (pozos de tuberías singulares de 2" y 3") no forman un sello perfecto. Las irregularidades normales en el cuero de obturación de la copa y en las paredes internas del entubado permitirán que, con el tiempo, la presión se escape en un sistema inactivo. Esto hará que la bomba realice un ciclo periódicamente para mantener el nivel de presión del sistema.

⚠ PRECAUCIÓN Nunca ponga a funcionar una bomba hacia una descarga cerrada. Hacerlo puede ocasionar que el agua en el interior de la bomba ebullicione, produciendo una presión peligrosa en la unidad, riesgo de explosión y posibles quemaduras con el agua a la persona que esté manejando la bomba.

⚠ ADVERTENCIA Nunca ponga a funcionar la bomba en seco. Poner a funcionar la bomba sin agua puede ocasionarle sobre calentamiento, dañar el sello y tal vez causar quemaduras a las personas que la estén manejando. Llene la bomba con agua antes de arrancarla.

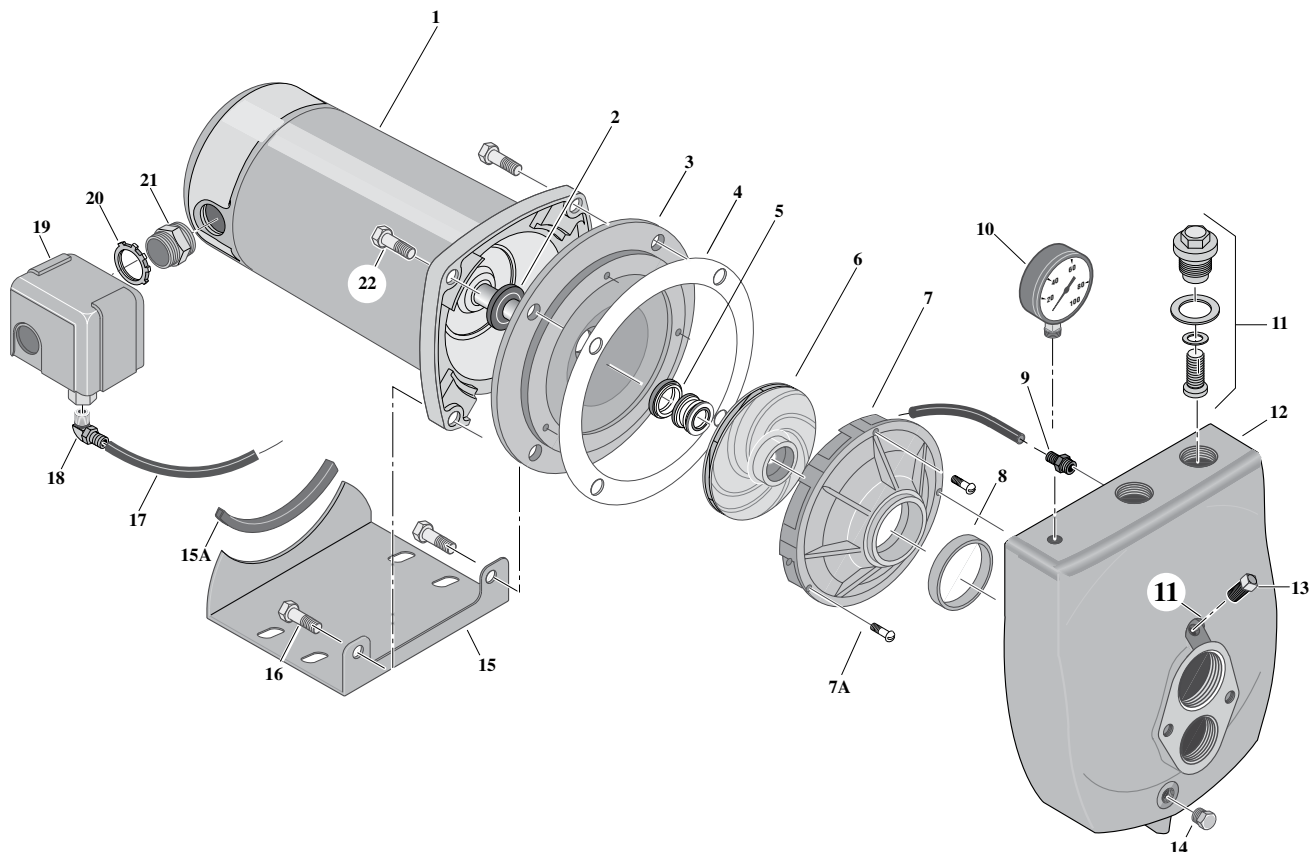
Paso 1. Abra la válvula de control lo más que sea posible (vea la Figura 15). Después retire el tapón de cebado de la bomba y llénela, llenando toda la tubería entre la bomba y el pozo; asegúrese de que toda la tubería en el pozo esté llena. Si también instaló una "T" de cebado en la tubería de succión, retire el tapón de la "T" y llene la tubería de succión.



2411 0497

Figura 15: Abrir la Válvula de Control

- Paso 2. Vuelva a colocar todos los tapones de llenado. Deje abierta la válvula de control (en una instalación para pozo poco profundo, la válvula de control siempre debe mantenerse abierta).
- Paso 3. ¡Enciéndala! Arranque la bomba. La bomba debe bombear agua después de 2 ó 3 minutos.
- Paso 4. Si no tiene agua después de 2 ó 3 minutos, pare la bomba y retire todos los tapones de llenado. Vuelva a llenar la bomba y la tubería. Posiblemente tendrá que repetir esto dos o tres veces para sacar todo el aire atrapado en la tubería. La válvula de control se debe mantener abierta durante todo el procedimiento.
- Paso 5. Después de que la bomba ha producido presión en el sistema y esté apagada, verifique la operación del interruptor de presión abriendo una llave o dos y dejando correr suficiente agua para descargar la presión hasta que la bomba arranque. La bomba debe arrancar cuando la presión caiga a 30 PSI y se debe detener cuando la presión alcance los 50 PSI. Haga funcionar la bomba durando uno o dos ciclos completos para verificar su correcta operación. Esto también le ayudará a limpiar el sistema de polvo y basura producida durante la instalación.
- Paso 6. (Solamente para bombas Serie PL). Checar fugas alrededor de la banda de las abrazaderas. Si la bomba tiene fuga, apriete la tuerca de la abrazadera 1-2 vueltas. *No apriete demasiado.*



Piezas de repuesto - Bombas Jet de hierro fundido

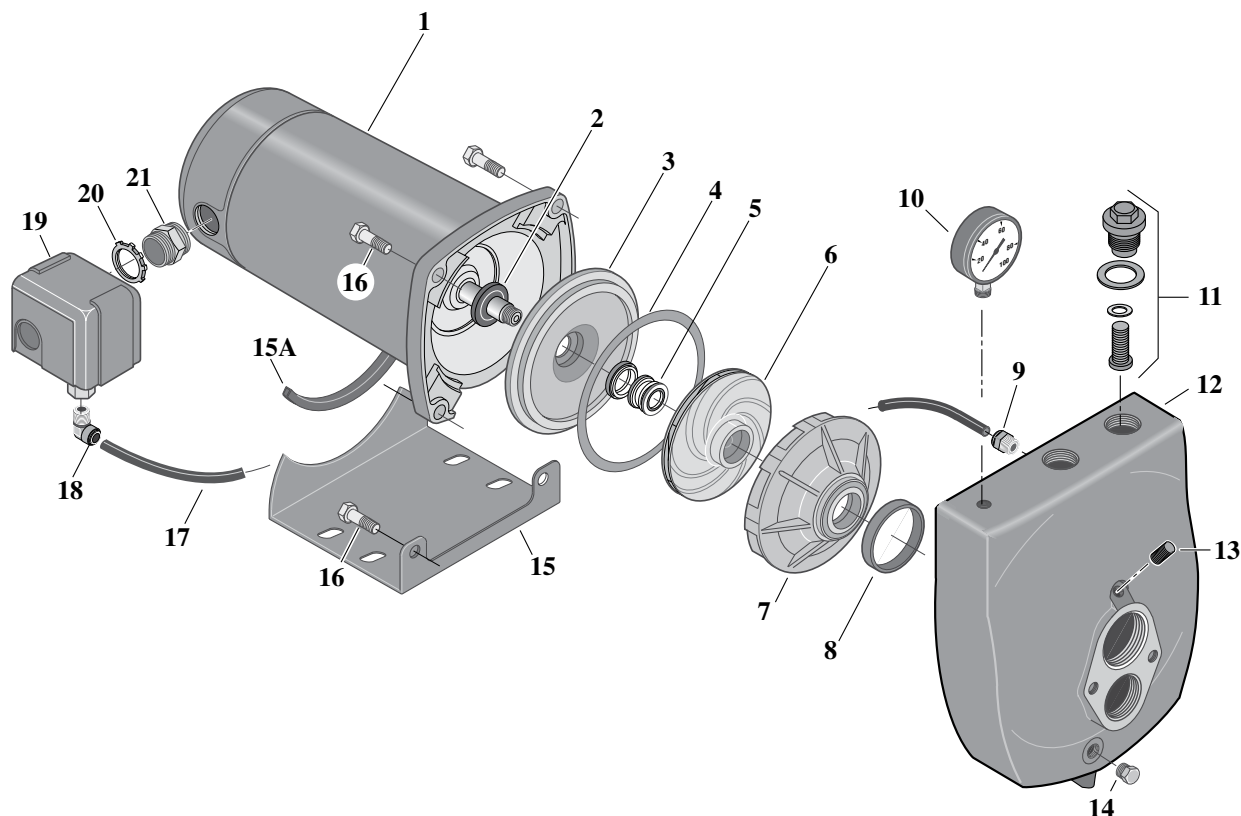
Clave no.	Descripción	Qté	HLD-L 3/4 HP	SLE-L 1 HP	HLE-L 1 HP	SLF-L 1-1/2 HP
1	Motor	1	J218-596PKG	J218-596PKG	J218-601PKG	J218-601PKG
#§2	Anillo salpicador	1	17351-0009	17351-0009	17351-0009	17351-0009
3	Placa selladora	1	L3-10	L3-10	L3-10	L3-10
#§4	Junta para placa selladora	1	C20-21	C20-21	C20-21	C20-21
#§5	Sello para eje	1	U109-6A	U109-6A	U109-6A	U109-6A
#6	Impulsor	1	J105-85P	J105-85P	J105-22PA	J105-22PA
#7	Difusor	1	L1-47P	L1-47P	L1-23P	L1-23P
7A	Tornillo prisionero de cabeza redonda 8-32x3/4"	3	U30-489SS	U30-489SS	U30-489SS	U30-489SS
#§8	Anillo de difusor	1	L21-1	L21-1	L21-1	L21-1
9	Conector rápido - recto	1	U11-217P	U11-217P	U11-217P	U11-217P
10	Medidor de presión	1	U239-2	-	U239-2	-
11	Válvula de control	1	L262-5PS	L262-5PS	L262-5PS	L262-5PS
12	Cuerpo de la bomba	1	L76-49	L76-49	L76-49	L76-49
13	Tapón para tubería	1	U78-56ZPS	U78-56ZPS	U78-56ZPS	U78-56ZPS
14	Tapón de drenaje	1	U78-941ZPV	U78-941ZPV	U78-941ZPV	U78-941ZPV
15	Base	1	J104-9C	J104-9C	J104-9C	J104-9C
15A	Cojín de hule	1	C35-5	C35-5	C35-5	C35-5
16	Prisionero de 3/8-16x 1 1/2"	2	U30-76ZP	U30-76ZP	U30-76ZP	U30-76ZP
17	Tubo del interruptor	1	U37-672P	U37-677P	U37-677P	U37-677P
18	Conector rápido - codo	1	U11-218P	U11-218P	U11-218P	U11-218P
19	Interruptor de presión	1	U217-1216	U217-1225	U217-1216	U217-1225
20	Tuerca de fijación	1	U36-112ZP	U36-112ZP	U36-112ZP	U36-112ZP
21	Conector	1	L43-5C	L43-5C	L43-5C	L43-5C
22	Prisionero de 3/8-16x 1 1/4"	2	U30-75ZP	U30-75ZP	U30-75ZP	U30-75ZP

KIT DE SERVICIO

§	Kit de Sello y Junta	PP1551	PP1551	PP1551	PP1551
#	Kit de Desmontaje	PP1566	PP1566	PP1564	PP1564

AVISO: § Incluido en el Kit de Sello y Junta.

Incluido en el Kit de Reparación General.



Piezas de repuesto - Bombas Jet de hierro fundido

Clave no.	Descripción	Qté	SLC-L 1/2 HP	SLD-L 3/4 HP	HLC-L 1/2 HP
1	Motor	1	J218-582APKG	J218-590PKG	J218-590PKG
#§2	Anillo salpicador	1	17351-0009	17351-0009	17351-0009
3	Placa selladora	1	N3-1043P	N3-1043P	N3-1043P
#§4	Junta para placa selladora	1	N20-35	N20-35	N20-35
#§5	Sello para eje	1	U109-6A	U109-6A	U109-6A
#6	Impulsor	1	J105-40P	J105-86P	J105-86P
#7	Difusor	1	L1-25P	L1-48P	L1-48P
#§8	Anillo de difusor	1	L21-1	L21-1	L21-1
9	Conector rápido - recto	1	U11-217P	U11-217P	U11-217P
10	Medidor de presión	1	-	-	U239-2
11	Válvula de control	1	01322	01322	01322
12	Cuerpo de la bomba	1	L76-48	L76-48	L76-48
13	Tapón para tubería	1	U78-56ZPS	U78-56ZPS	U78-56ZPS
14	Tapón de drenaje	1	U78-941ZPV	U78-941ZPV	U78-941ZPV
15	Base	1	J104-9C	J104-9C	J104-9C
15A	Cojín de hule	1	C35-5	C35-5	C35-5
16	Prisionero de 3/8-16x 1 1/4"	4	U30-75ZP	U30-75ZP	U30-75ZP
17	Tubo del interruptor	1	U37-672P	U37-672P	U37-672P
18	Conector rápido - codo	1	U11-218P	U11-218P	U11-218P
19	Interruptor de presión	1	U217-1225	U217-1225	U217-1216
20	Tuerca de fijación	1	U36-112ZP	U36-112ZP	U36-112ZP
21	Conector	1	L43-5C	L43-5C	L43-5C
•	Tapón	1	U78-941ZPV	U78-941ZPV	-

• No ilustrado.

KIT DE SERVICIO

§	Kit de Sello y Junta	PP1551	PP1551	PP1551
#	Kit de Desmontaje	PP1560	PP1565	PP1566

AVISO: § Incluido en el Kit de Sello y Junta.

Incluido en el Kit de Reparación General.

PROBLEMA	SOLUCIONES
<p>A. El motor no enciende.</p>	<p>A. Verifique si el interruptor está conectado y si el disyuntor no ha saltado o el fusible no se ha quemado. DESCONECTE LA CORRIENTE y asegúrese de que los cables que conectan el motor con la fuente de alimentación y el interruptor de presión están bien conectados (ver página 28). Si las medidas previas no resuelven el problema, llame a un especialista en pozos.</p>
<p>B. El motor se calienta y se produce desconexión por sobrecarga.</p>	<p>B. Lea las instrucciones sobre las conexiones eléctricas de la página 28 y verifique si el motor está cableado como corresponde. Verifique con la compañía de electricidad si la tensión en la bomba está dentro del +/- 10% de la tensión nominal que aparece en la placa de identificación del motor. DESCONECTE LA CORRIENTE y asegúrese de que los cables que conectan el motor con la fuente de alimentación corresponden a lo especificado en la Tabla I, página 29. Si no corresponden, vuelva a conectar los cables siguiendo las instrucciones de la página 28. Si el ciclo de la bomba es muy frecuente, lea la sección E, más abajo.</p>
<p>C. El motor funciona pero no sale agua.</p>	<p>C. PRIMERO, verifique el cebado; es decir, asegúrese de que la bomba y toda la tubería de succión y la instalada en el pozo tienen agua. Si están vacías, llénelas. Cuando hace frío, asegúrese de que toda la tubería y la bomba no están heladas. Si se hielan, deshiélelas cuidando de que las tuberías ni los accesorios se agrieten. Caliente la cava o la caseta de la bomba y entierre toda la tubería por debajo del límite de congelación. Si sospecha que es una de las causas siguientes, llame a un profesional: entrada de aire en la línea de succión, bajo nivel del agua en el pozo, válvula de pie trabada o tapada, eyector o impulsor tapado, válvula de pie o filtro enlodado en el fondo del pozo, una bomba para pozo de poca profundidad instalada en un pozo con más de 25 pies de profundidad de agua (en estos casos se necesita una bomba Jet).</p>
<p>D. La bomba no suministra agua a toda su capacidad.</p>	<p>D. Las causas posibles son: el nivel del agua del pozo es inferior al estimado y se necesita hacer una combinación de venturi/boquilla diferente; la tubería de acero (si se utiliza) se ha corroído o encalado, restringiendo la capacidad y aumentando la fricción; o la tubería es demasiado pequeña para la instalación. Para cualquiera de estas situaciones consulte a un especialista en pozos.</p>
<p>E. Los ciclos de bombeo son muy frecuentes o la bomba no se detiene.</p>	<p>E. Los ciclos de la bomba son muy frecuentes y no se detienen. Asegúrese de que no se ha dejado ninguna llave abierta. Si el sistema tiene un tanque estándar, asegúrese de que no está anegado. Si lo está, drénelo hasta el nivel del control del volumen de aire. Asegúrese de que el CVA no está defectuoso y de que no hay fugas en las conexiones. Si el sistema tiene un tanque precargado, desconecte la corriente abra todas las llaves y purgue toda la presión del tanque. Use una varilla de medición para verificar la presión de aire del tanque. Dicha presión debería ser 2 PSI inferior a la del ajuste de cierre del interruptor de presión (o sea, si el interruptor de presión hace arrancar la bomba a 30 PSI, la precarga debería estar a 28 PSI). Verifique si la válvula de aire tiene fugas (use una solución jabonosa) y cambie el núcleo si fuera necesario. Si usted sospecha de cualquiera de las situaciones siguientes, llame a un especialista en pozos: pérdidas en los tubos, en la válvula de pie, nivel de agua del pozo inferior al estimado, eyector o eje impulsor tapados.</p>
<p>F. Sale aire de las llaves.</p>	<p>F. La bomba puede estar cebándose; cuando haya terminado de cebarse, no quedará más aire en el sistema. Si sospecha que hay pérdidas en la tubería de succión, gases en el pozo o que la bomba bombea intermitentemente un exceso de agua del pozo (es decir, haciendo que el agua disminuya por debajo del nivel de la válvula de pie) consulte a un profesional.</p>
<p>G. La bomba fugas alrededor de la abrazadera.</p>	<p>G. Apriete la tuerca de la abrazadera 1-2 vueltas. <i>No apriete demasiado.</i></p>

PAGE INTENTIONALLY LEFT BLANK

