

# G25 Specifications

## Port Dimensions (40.1 GPM Max.)

### Intake & discharge connection:

Aluminum (ADC-12)	1" Female NPT
Air inlet (incl. ball valve):	3/8" Female NPT
Air exhaust (incl. silencer):	3/4" Female NPT

## Maximum Liquid Temperature\*

Diaphragm Material	Temperature
Buna N	180°F (82°C)
Hytrel® (TPE)	248°F (120°C)
Santoprene® (TPO)	212°F (100°C)
PTFE	212°F (100°C)

\*The maximum liquid temperature for metal pumps is determined by the elastomer (diaphragm material).

## Air Supply Pressure (All Models)

20–100 PSI (1.4–7 kgf/cm<sup>2</sup>)

## Discharge Volume Per Cycle

Rubber diaphragm: 0.158 gallons  
PTFE diaphragm: 0.118 gallons

## Maximum Cycles Per Minute

Rubber diaphragm: 253  
PTFE diaphragm: 297

## Maximum Size Solid

1/8" (3 mm)

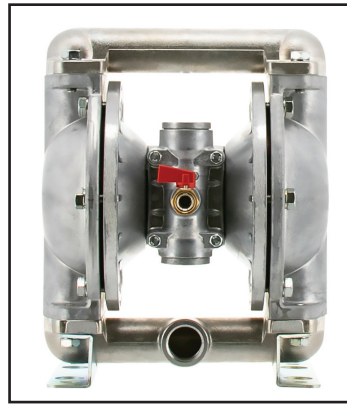
## Air Motor

Aluminum air motor standard on metal pumps.

## Valve Type

Ball

Notes: Santoprene® fitted pumps include EPDM wetted o-rings.



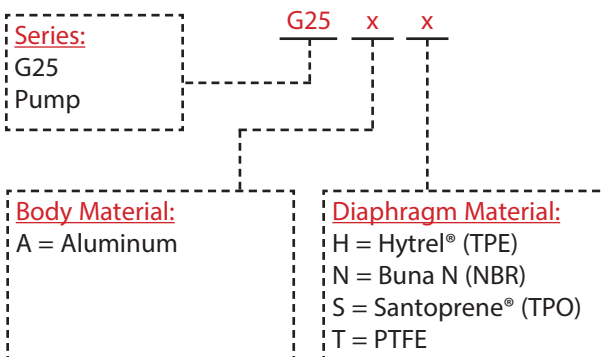
## Aluminum (NPT)

**Dimensions:** 10.04"W x 12.44"H

**Net Wt.:** 20.3 lbs. (9.2 kg)

**Shipping Wt.:** 25 lbs.

## Model Number Nomenclature

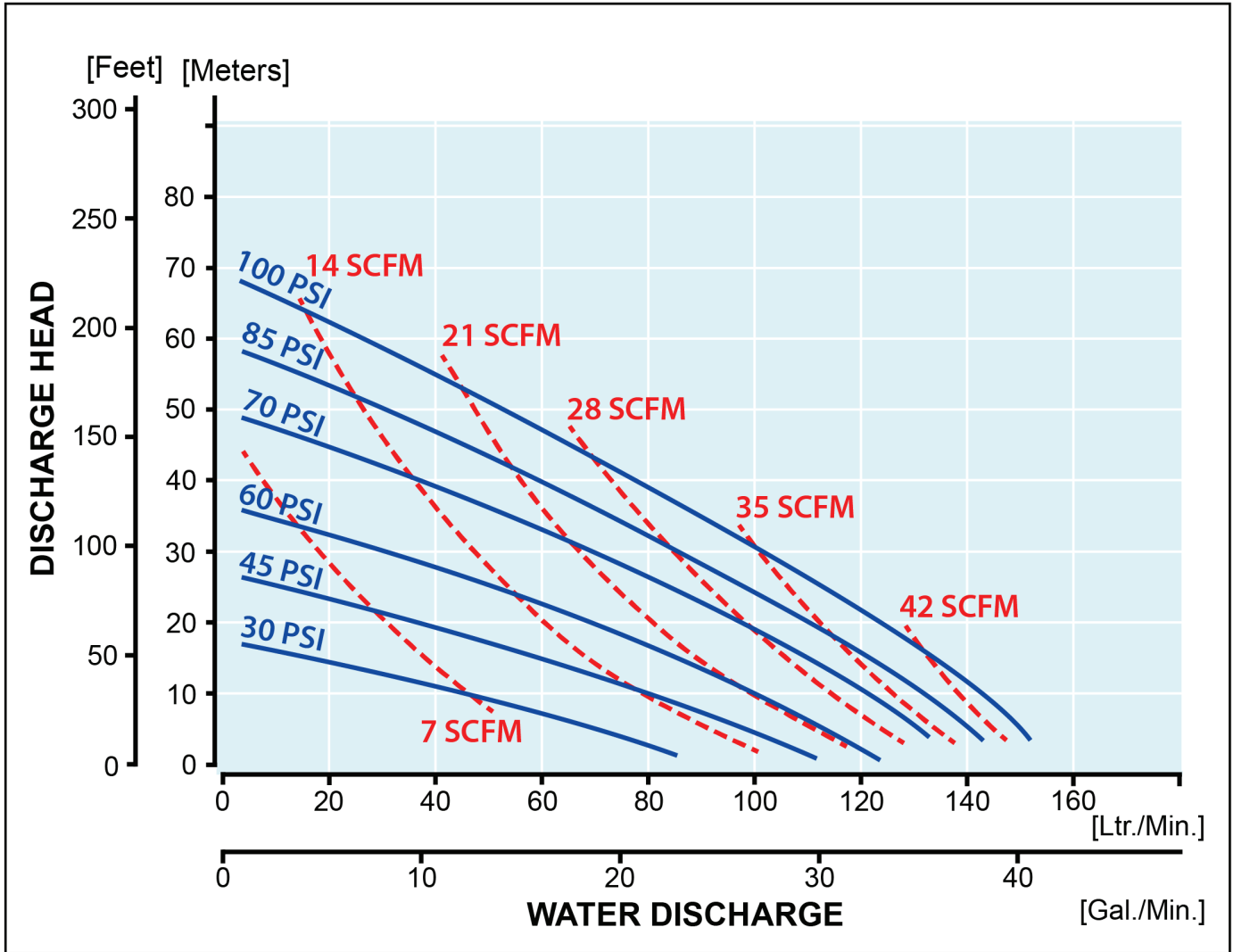


## G25 Series Models

G25AH	G25AS
G25AN	G25AT

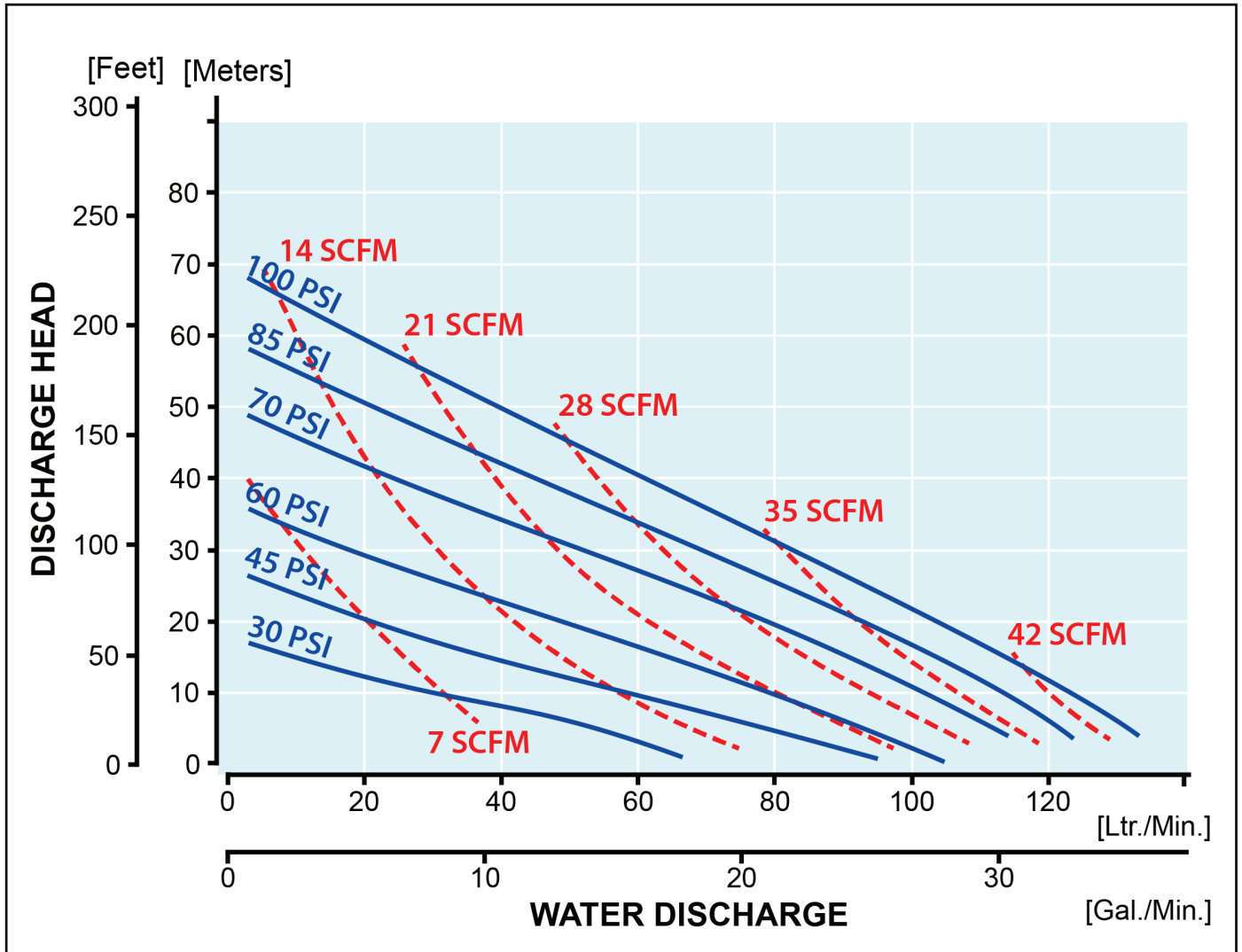
# G25A Performance Curve - Rubber

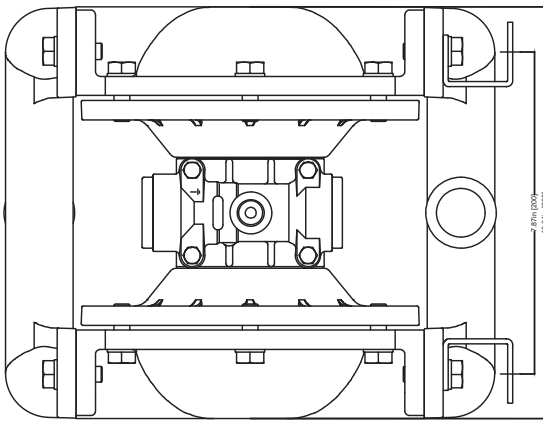
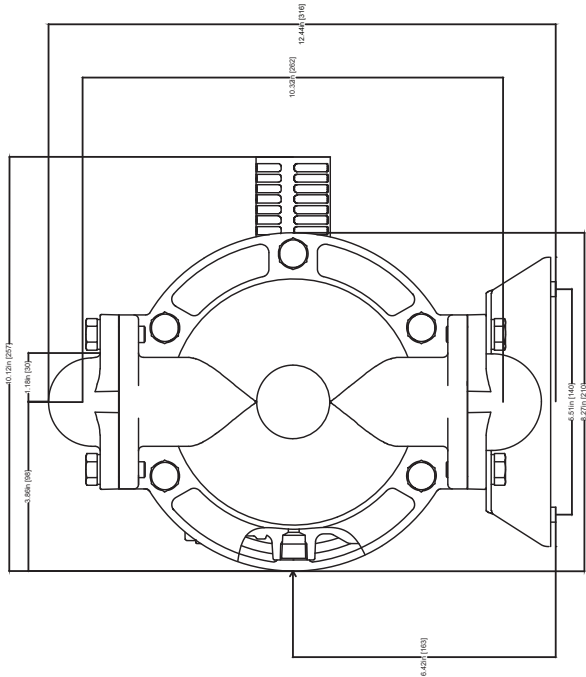
## Rubber Diaphragm Performance Curve



# G25A Performance Curve - PTFE

## PTFE Diaphragm Performance Curve





REV	DATE	DESCRIPTION	APPR'D
THE DWG. OF:			
<b>G25 ALUMINUM SERIES</b>			
SCALE _____		DRAWN BY _____	MK
DATE _____		01/13/2020	APPROVED BY _____
THIRD ANG. PROJ.		DRAWING NUMBER:	REV
		<b>G25A</b>	<b>0</b>

**YAMADA AMERICA, INC.**  
 955 EAST ALCONQUIN RD - ARLINGTON HEIGHTS, ILLINOIS 60005  
 TOLL FREE 800-990-7867 OR 847-631-9200  
 THIS IS A CAD DRAWING AND MUST NOT BE ALTERED MANUALLY.

**AutoCAD®** is a registered trademark of Autodesk, Inc.  
**Hytrel®** is a registered trademark of E.I. du Pont de Nemours and Company.  
**Kynar®** is a registered trademark of Arkema.  
**Nordel™** is a trademark of DuPont Dow Elastomers.  
**Ryton®** is a registered trademark of Chevron Phillips Chemical Company.  
**Santoprene®** is a registered trademark of Advanced Elastomer Systems.  
**Viton®** is a registered trademark of DuPont Performance Elastomers.  
**Swagelok™ & VCR™** are trademarks of the Swagelok Companies.  
**Flaretek®** is a registered trademark of Entegris.  
**Garlock ONE-UP®** is a registered trademark of W.L. Gore & Associates.  
**Yamada®** is a registered trademark of Yamada America, Inc.  
**SolidPRO Designed to Pump Fluids Containing Solids®** is a registered trademark of Yamada America, Inc.  
**Xtreme Duty Pro XDP®** is a registered trademark of Yamada America, Inc.  
**The Proof's in the Pump®** is a registered trademark of Yamada America, Inc.  
**The Proof is in the Pump®** is a registered trademark of Yamada America, Inc.  
**Engineered to Perform. Designed to Outlast.®** is a registered trademark of Yamada America, Inc.

Due to Yamada's continued commitment to product improvement, specifications may change without notice.

Air Operated Double Diaphragm Pump



To Purchase:

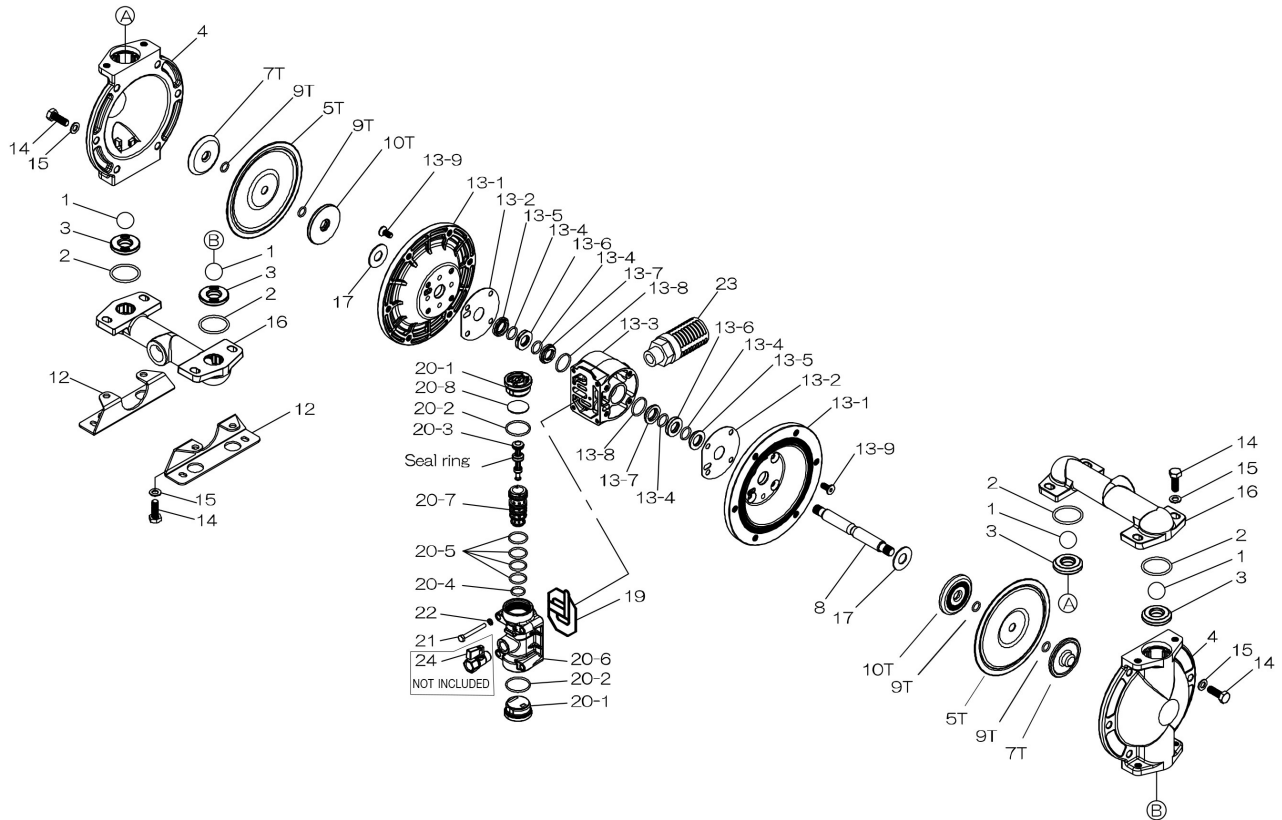
800-810-1053

sales@pumpcatalog.com

More Information:

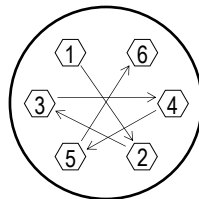
Data Sheets | CAD Drawings | Manuals  
Literature | BOM | Performance Curves

Trial Program



Air Operated Double Diaphragm Pump

REF. No.	PART No.	DESCRIPTION	QTY.	REORDER
1	770736	BALL	4	
2	643041	O-RING	4	
3	717246	VALVE SEAT	4	
4	716959	OUT CHAMBER	2	
5T	771110	DIAPHRAGM 25	2	
7T	717095	CENTER DISK	2	
8	717225	CENTER ROD	1	
9T	643013	O-RING	4	
10T	717226	CENTER DISK	2	
12	717031	BASE	2	
13	<b>805262</b>	<b>BODY ASSY.</b>	1	
13-1	717223	AIR CHAMBER	2	
13-2	773441	GASKET	2	
13-3	717219	BODY	1	
13-4	640016	O-RING	4	
13-5	773452	GUIDE BUSH C	2	
13-6	773451	GUIDE BUSH B	2	
13-7	773450	GUIDE BUSH A	2	
13-8	683112	O-RING	2	
13-9	682486	BOLT FLAT HD W/WASHER	8	
14	611175	BOLT	20	
15	631917	WAVE WASHER	20	
16	717218	MANIFOLD NPT	2	
17	771054	CUSHION	2	
19	773440	GASKET	1	
20	<b>805265</b>	<b>VALVE BODY ASSY.</b>	1	
20-1	716917	CAP A	2	
20-2	686734	O-RING	2	
20-3	805208	SPOOL ASSY.	1	
20-4	685453	O-RING	1	
20-5	685276	O-RING	4	
20-6	717222	VALVE BODY	1	
20-7	773444	SLEEVE	1	
20-8	773280	CUSHION	1	
21	611111	BOLT	4	
22	631915	WAVE WASHER	4	
23	804697	MUFFLER	1	
KIT	KG25-AT	LIQUID END KIT		
KIT	KG25-AM-M	AIR MOTOR KIT		



**Tightening torque for center rod and out chambers.**  
 Center Rod 354 in-lbf {40 N-m}  
 Out Chambers 177 in-lbf {20 N-m}

**Tightening torque for manifold retainer bolts or nuts.**  
 G25AT 177 in-lbf {20 N-m}

**General Tools:**

- Socket wrench - 10mm, 17mm
- Hexagonal box wrenches - 5mm
- Open-end wrenches - 10mm, 13mm, 17mm

**Special Tools (sold separately):**

- Cap & disc remover (771132).
- Sleeve remover (713148).

**Miscellaneous:**

- Assembly Oil - turbine oil none additional class 1 (equivalent to ISO VG32 grade)
- Nuts - M14 x 1.5 class 3
- Urea grease grade (NLGI) No. 2

**Customer Notes**

Model #: \_\_\_\_\_  
 Description: \_\_\_\_\_  
 Serial #: \_\_\_\_\_  
 Date Installed: \_\_\_\_\_  
 Department Location: \_\_\_\_\_  
 Tag/Project: \_\_\_\_\_

Air Operated Double Diaphragm Pump



To Purchase:

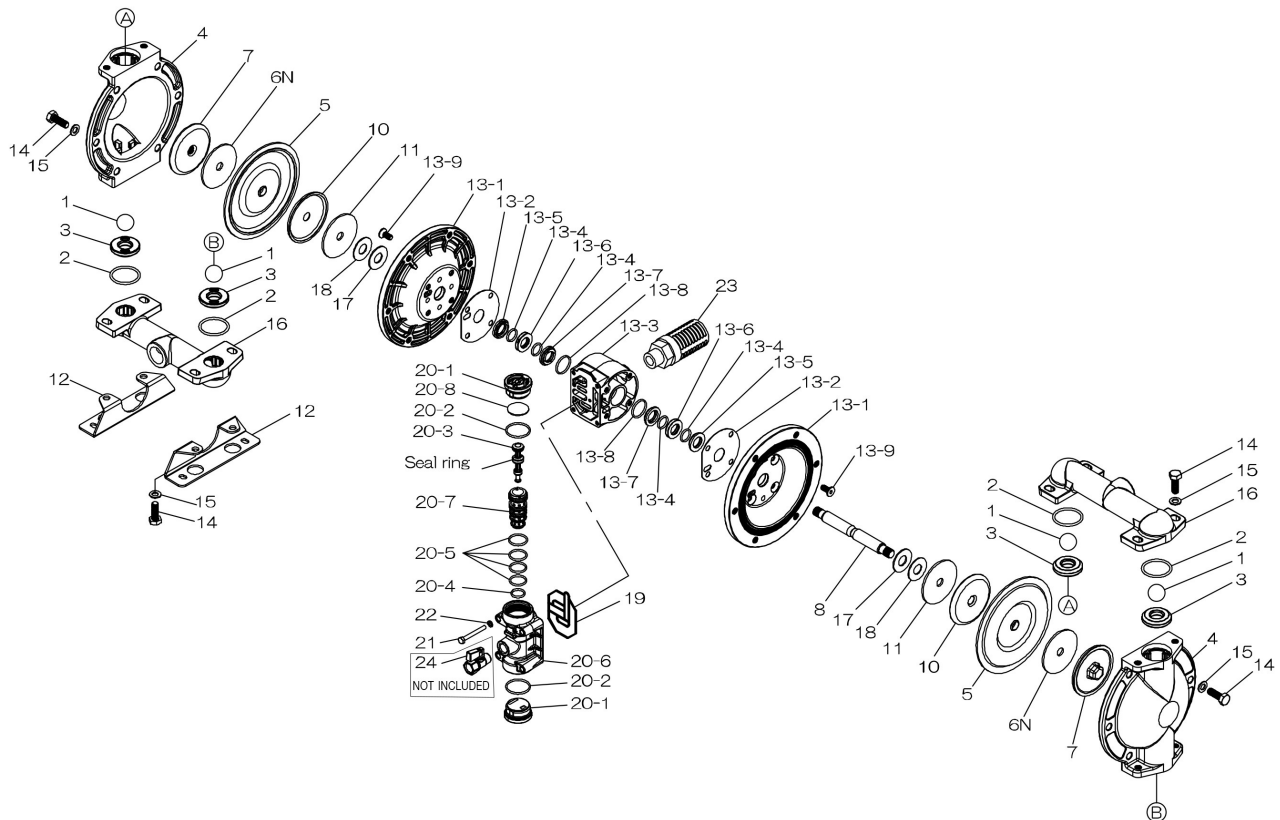
800-810-1053

sales@pumppcatalog.com.com

More Information:

Data Sheets | CAD Drawings | Manuals  
Literature | BOM | Performance Curves

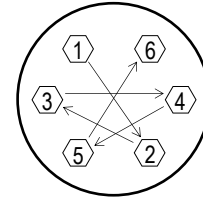
Trial Program





Air Operated Double Diaphragm Pump

REF. No.	PART No.	PART No.	PART No.	DESCRIPTION	QTY.	REORDER
	G25AH	G25AN	G25AS			
	854999	854995	855001			
1	773126	770720	773170	BALL	4	
2	640041	640041	686818	O-RING	4	
3	581130	581130	581130	VALVE SEAT	4	
4	716959	716959	716959	OUT CHAMBER	2	
5	771363	772962	771974	DIAPHRAGM 25	2	
6N	-	773442	-	SPACER	2	
7	716958	716958	716958	CENTER DISK	2	
8	717224	717224	717224	CENTER ROD	1	
10	716258	716258	716258	CENTER DISK	2	
11	716259	716259	716259	WASHER	2	
12	717031	717031	717031	BASE	2	
13	805262	805262	805262	BODY ASSY.	1	
13-1	717223	717223	717223	AIR CHAMBER	2	
13-2	773441	773441	773441	GASKET	2	
13-3	717219	717219	717219	BODY	1	
13-4	640016	640016	640016	O-RING	4	
13-5	773452	773452	773452	GUIDE BUSH C	2	
13-6	773451	773451	773451	GUIDE BUSH B	2	
13-7	773450	773450	773450	GUIDE BUSH A	2	
13-8	683112	683112	683112	O-RING	2	
13-9	682486	682486	682486	BOLT FLAT HD W/WASHER	8	
14	611175	611175	611175	BOLT	20	
15	631917	631917	631917	WAVE WASHER	20	
16	717218	717218	717218	MANIFOLD NPT	2	
17	771054	771054	771054	CUSHION	2	
18	773443	773443	773443	CUSHION	2	
19	773440	773440	773440	GASKET	1	
20	805265	805265	805265	VALVE BODY ASSY.	1	
20-1	716917	716917	716917	CAP A	2	
20-2	686734	686734	686734	O-RING	2	
20-3	805208	805208	805208	SPOOL ASSY.	1	
20-4	685453	685453	685453	O-RING	1	
20-5	685276	685276	685276	O-RING	4	
20-6	717222	717222	717222	VALVE BODY	1	
20-7	773444	773444	773444	SLEEVE	1	
20-8	773280	773280	773280	CUSHION	1	
21	611111	611111	611111	BOLT	4	
22	631915	631915	631915	WAVE WASHER	4	
23	804697	804697	804697	MUFFLER	1	
KIT	KG25-AH	KG25-AN	KG25-AS	LIQUID END KIT		
KIT	KG25-AM-M			AIR MOTOR KIT		



**Tightening torque for center rod and out chambers.**

Center Rod	354 in-lbf {40 N-m}
Out Chambers G25AN	89 in-lbf {10 N-m}
Out Chambers G25AH/S	177 in-lbf {20 N-m}

**Tightening torque for manifold retainer bolts or nuts.**

G25AN/H/S	89 in-lbf {10 N-m}
-----------	--------------------

**General Tools:**

- Socket wrench - 10mm, 17mm
- Hexagonal box wrenches - 5mm
- Open-end wrenches - 10mm, 13mm, 17mm

**Special Tools (sold separately):**

- Cap & disc remover (771132).
- Sleeve remover (713148).

**Miscellaneous:**

- Assembly Oil - turbine oil none additional class 1 (equivalent to ISO VG32 grade)
- Nuts - M14 x 1.5 class 3
- Urea grease grade (NLGI) No. 2

**Customer Notes**

Model #: \_\_\_\_\_  
 Description: \_\_\_\_\_  
 Serial #: \_\_\_\_\_  
 Date Installed: \_\_\_\_\_  
 Department Location: \_\_\_\_\_  
 Tag/Project: \_\_\_\_\_